

WZ18 Integrated IR Bullet Camera

www.boschsecurity.com



BOSCH
Invented for life



Advantage Line

The WZ18 uses a 1/3 in CCD image sensor which delivers 540 TVL images. The 18 integrated infrared LEDs deliver 20 m (66 ft) of high performance night vision.

The 2.8 to 12 mm varifocal, auto-iris lens has external focus and zoom controls and requires no tools for adjustment. Designed to IP66 environmental standards, WZ18 operates on either 12 VDC or 24 VAC.

Features

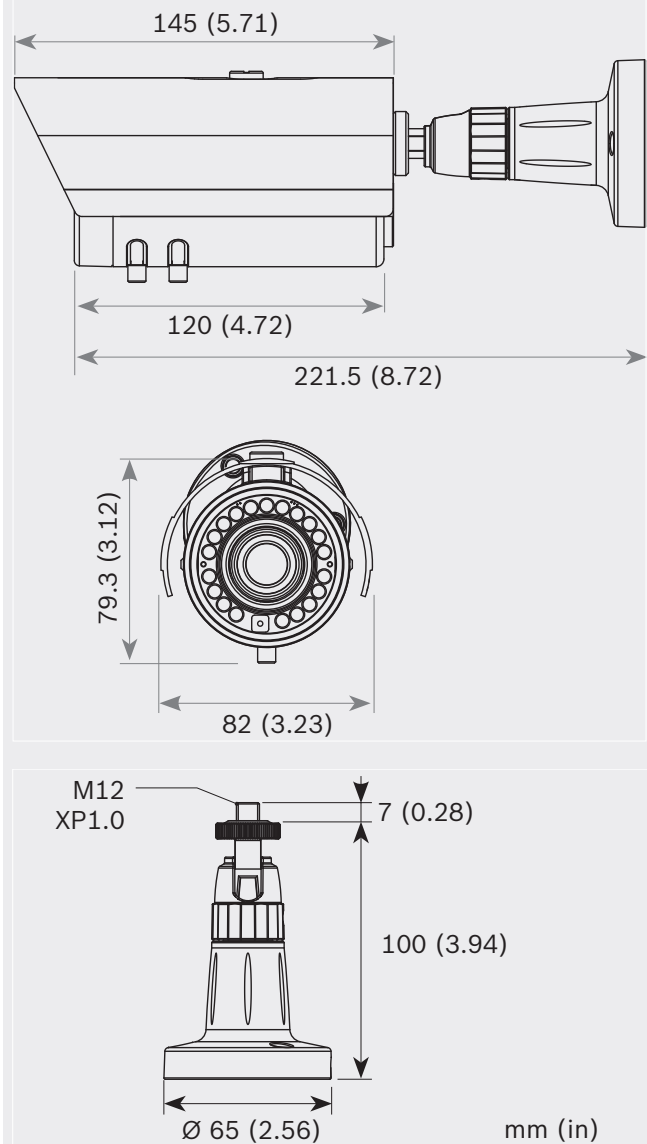
- ▶ High resolution performance (540 TVL)
- ▶ Vivid daytime color
- ▶ High performance night vision at 20 m (66 ft)
- ▶ Flexible viewing angle
- ▶ Discreet outdoor operation (IP66)
- ▶ Easy adjustment

2 | WZ18 Integrated IR Bullet Camera

Technical Specifications

Video	
Signal Processing	Digital signal processing (DSP)
CCD Camera	1/3 in SuperHAD CCD with Mechanical Filter technology
Filter	Dual-window mechanical type, IR Pass, IR-Cut
Resolution	High resolution 540 TVL
Effective Pixels (H x V)	PAL: 752 x 582, NTSC: 768 x 494
Night-Time Sensitivity	0 lx (infrared on)
Day-Night Switching	Photocell-controlled, automatic
Electronics Iris	1/50 to 1/100,000 s (PAL), 1/60 to 1/100,000 s (NTSC)
Output Signal	1Vpp composite video, 75 ohm
S/N Ratio	Greater than 50 dB
Gamma	0.45
Lens	Varifocal 2.8 to 12mm, DC auto-iris
Lens Control	Externally adjustable zoom, focus and auto-iris
LEDs	Even-distribution infrared array, photocell-controlled
Wavelength	850 nm
Number of LEDs	18
Electrical	
Voltage	12 VDC or 24 VAC
Power Draw	6.7 W max
Power Supply	Not included
Mechanical	
Construction	Robust aluminum extrusion
Finish	Anodized silver
Sunshield	Included
Bracket	360° pan / 90° tilt bracket included
Weight	0.85 kg (1.9 lb)
Dimensions	Ø 76 x 130 (L) mm, (3.0 x 5.1 in)
Environmental	
Operational Temperature	-30 °C to +50 °C, (-22 °F to +122 °F)
Environmental	IP66 rated
Certifications and Approvals	
Standards	
	ANSI C63.4: 2003 FCC Part 15 subpart B, Class A
	UL 60065, 7th Edition. 2007-12-11
	CAN/CSA-C22.2 No. 60065-03, 1st Edition, 2006-04 + A1:2006
	EN55022:2006, Class A
	EN50130-4:1995+A1:1998+A2:2003
	EN61000-3-2:2006
	EN61000-3-3:1995 + A1:2001 + A2:2005
	LVD 2006/95/EC EN60065:2002 + A1:2006 + A11:2008
	IP66, IEC 60529 (2001), IEC 60529:(2002)

Installation/Configuration Notes



Ordering Information

VTI-218V03-2 WZ18 Integrated IR Bullet Camera, NTSC	VTI-218V03-2
VTI-218V03-1 WZ18 Integrated IR Bullet camera, PAL	VTI-218V03-1

Accessories

UPA-1220-60 Power Supply	UPA-1220-60
UPA-1220-50 Power Supply	UPA-1220-50

Americas:
Bosch Security Systems, Inc.
130 Perinton Parkway
Fairport, New York, 14450, USA
Phone: +1 800 289 0096
Fax: +1 585 223 9180
security.sales@us.bosch.com
www.boschsecurity.us

Europe, Middle East, Africa:
Bosch Security Systems B.V.
P.O. Box 80002
5600 JB Eindhoven, The Netherlands
Phone: + 31 40 2577 284
Fax: +31 40 2577 330
emea.securitysystems@bosch.com
www.boschsecurity.com

Asia-Pacific:
Robert Bosch (SEA) Pte Ltd, Security Systems
11 Bishan Street 21
Singapore 573943
Phone: +65 6571 2808
Fax: +65 6571 2699
apr.securitysystems@bosch.com
www.boschsecurity.asia

Represented by