

VIP X2 Dual-channel Video Encoder



Security Systems



- Dual-channel encoder
- High-quality MPEG-4 @ 4CIF/2CIF/Half D1/CIF/QCIF
- Storage-efficient Dual Streaming
- Ultra-compact size
- Multicast & Internet streaming
- Alarm inputs & relay output
- FastEthernet interface
- Serial data port

The VIP X2 features 2 DVD like quality MPEG-4 video signals, at up to 30 images per second, per channel, over IP networks. This unit supports PAL/NTSC (CCIR/EIA) sources.

The video signals can be received and displayed with a standard web browser or VIDOS video management software. Using the VIP XD or any other Bosch MPEG-4 decoder, you can integrate point-to-point connections into your system, to display video from any VIP or VideoJet encoder on analog monitors.

The VIP X2 provides Dual Streaming. It will generate in total 4 MPEG-4 video streams (2 per input).

The VIP X2 is ultra-compact, so it is perfect for any application that depends on space-saving solutions.

2 | VIP X2 Dual-channel Video Encoder

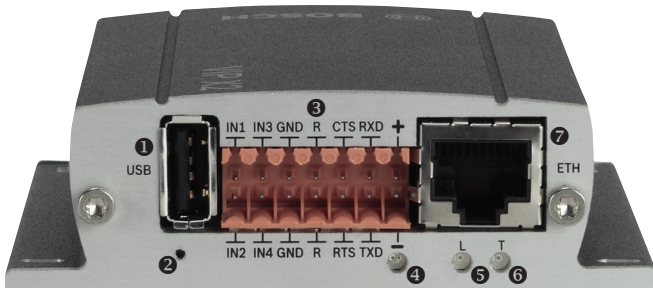
Parts Included

Quantity	Component
1	VIP X2 encoder
1	international plug-in power supply
1	RS-232 null modem cable
1	Quick Installation Guide
1	CD-ROM containing manual, software and tools

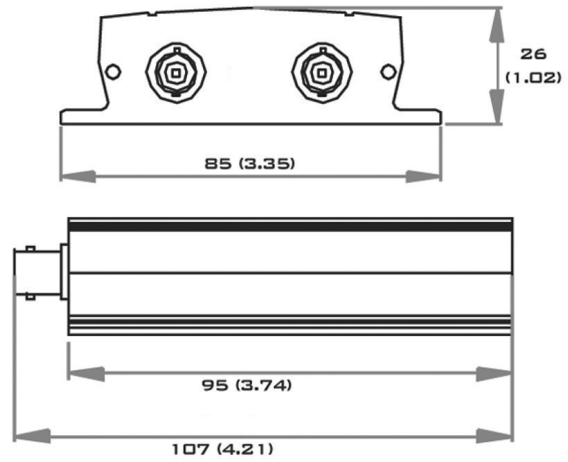
Installation/Configuration Notes



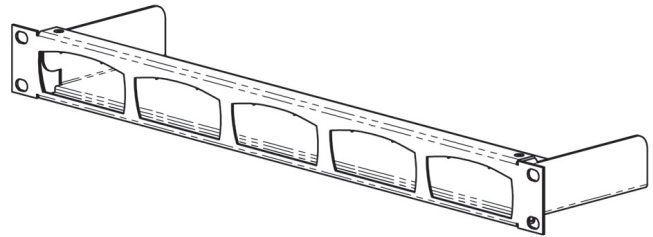
- 1 Video In 1 2 Video In 2



- | | | | |
|---|--|---|-----------------------------|
| 1 | USB port | 5 | LED Link |
| 2 | Reset: Factory Default | 6 | LED Traffic |
| 3 | Alarm in, Relay out, Power, COM (RS 232/422/485) | 7 | 10/100 Base-T Fast Ethernet |
| 4 | LED Power | | |



Dimensions in mm (inches)



Rack mount kit (optional)

Technical Specifications	
Electrical	
Video Standards	MPEG-4
Video Data Rate	9.6 kbps - 6 Mbps per channel
Video Resolution	704 x 576/480 (D1/4CIF: 25/30 IPS) 704 x 288/240 (2CIF: 25/30 IPS) 352 x 576/480 (Half D1: 25/30 IPS) 352 x 288/240 (CIF: 25/30 IPS) 176 x 144/120 (QCIF: 25/30 IPS)
GOP Structure	I, IP
Overall Delay (IP)	MPEG-4: 120 ms
Network Protocols	RTP, Telnet, UDP, TCP, IP, HTTP, IGMP V2, ICMP, ARP, SNMP
Software Update	Flash ROM, remote programmable
Configuration	Via web browser, built-in web server

Interfaces	
Video In	2x analog composite: NTSC/PAL; BNC connector 75 Ohm switchable, 0.7 - 1.2 Vp-p
Alarm In	4x (non-isolated closure contact type), max. activation resistance 10 Ohm
Relay Out	1x, 30 Vp-p, 2 A
Connectors	10 position spring clamp contact for alarm, relay and COM port
COM Port	1x RS-232/422/485, spring clamp contacts
USB Port	1x 2.0 external interface*
Ethernet	10/100Base-T, auto-sensing, half/full duplex, RJ-45

Environmental	
Input Voltage	12 - 24 VDC, spring clamp contact
Power Consumption	Approx. 10 VA
Power Supply Unit	VIPXPS111022 included in the box
Weight	Approx. 0.2 kg (0.44 lb)
Operating Temperature	0°C - 40°C (32°F - 104°F) ambient temperature
Humidity	20 - 80%, atmospheric humidity (not cond.)
Complies with	CE: IEC 60950; UL 1950; AS/NZS 3548; EN 55103-1, -2; EN 50130-4; EN 55022; EN 55024; EN 61000-3-2; EN 61000-3-3; FCC 47 CFR Ch.1 Part 15

*future use

Ordering Information	
VIP X2 2-CH ENC	8622 780 55041
MPEG-4 dual-stream 2 ch encoder, USB, serial io, alarm in and relay	
VIPRMK1HU	8622 780 42681
VIP X/10/1000 Rack Mount Kit (5 units in 1HU)	
VIPXPS111022	8622 780 55381
Power supply	

Americas:

Bosch Security Systems
130 Perinton Parkway
Fairport, New York, 14450, USA
Phone: +1 585 223 4060
+1 800 289 0096
security.sales@us.bosch.com
<http://www.boschsecurity.us>

Europe, Middle East, Africa:

Bosch Security Systems B.V.
P.O. Box 80002
5600 JB Eindhoven, The Netherlands
Phone: +31 (0) 40 27 83955
Fax: +31 (0) 40 27 86668
emea.securitysystems@bosch.com
<http://www.boschsecurity.com>

Asia-Pacific:

Bosch Security Systems Pte Ltd
38C Jalan Pemimpin
Singapore 577180
Phone: +65 6319 3450
Fax: +65 6319 3499
apr.securitysystems@bosch.com
<http://www.boschsecurity.com>

BOSCH