


**BOSCH**

Invented for life

# AutoDome® Easy IP Compact PTZ Camera



- ▶ **Advanced H.264 compression technology**
- ▶ **Ultra-compact for discrete surveillance and improved aesthetics**
- ▶ **Designed for indoor applications**
- ▶ **100x zoom (10x optical, 10x digital) color camera**
- ▶ **Durable, vandal-resistant housing and bubble**
- ▶ **Surface, wall, and pipe mount versions**

The AutoDome Easy IP combines a high performance pan/tilt unit, compact mini dome housing, and a state-of-the-art autofocus zoom camera into a single unit. This rugged, compact and easy to install PTZ camera system has been specifically designed for discrete IP-based video surveillance applications in indoor environments.

## Easy IP Series highlights

With real-time streaming at resolutions up to 4CIF, AutoDome Easy IP captures all the details. More detail typically means increased bandwidth, larger storage requirements, and increased costs but not with AutoDome Easy IP. Bosch's advanced H.264 compression technology used in Easy IP reduces bandwidth and storage needs by up to 30% compared to traditional MPEG-4 IP cameras.

AutoDome Easy IP's dome diameter is less than 4 inches (10 cm), about 70% smaller than traditional PTZ cameras and 20% smaller than other compact domes. These compact dimensions make AutoDome Easy IP ideal for discrete surveillance applications.

Even though it's small, AutoDome Easy IP still delivers many of the features found on full-size PTZ cameras. Variable pan and tilt speeds, and autopivot ensure optimal camera control and viewing at all zoom levels. The high-performance 100x (10x optical/10x digital) zoom autofocus camera incorporates the latest digital imaging technology

to deliver excellent sensitivity and resolution. With 60 user-defined presets, 4 preset tours, and multiple autoscan modes, AutoDome Easy IP is not small on features.

A single AutoDome IP Easy provides as much coverage as four fixed mini domes at half the cost of a traditional PTZ dome camera.

And AutoDome IP Easy is simple to install and use. Available with surface, wall and pipe mount options, AutoDome Easy IP can be mounted nearly anywhere. Intuitive set-up menus make dome configuration quick and easy.

## Functions

The following are some of the features that make the AutoDome Easy IP Series the perfect fit for a variety of indoor video over IP surveillance applications.

### Ultra-efficient H.264 encoding

AutoDome Easy IP uses an advanced H.264 encoder to create DVD-quality streaming video at ultra-low bit rates. Use of H.264 encoding, bandwidth throttling and multicasting capabilities, minimizes bandwidth and storage usage to significantly reduce costs. AutoDome Easy IP supports 4CIF, 2CIF, and CIF resolutions at frame rates up to 25 and 30 images per second (for PAL and NTSC respectively).

**Dual-streaming video**

AutoDome Easy IP is capable of generating one H.264 and one JPEG stream simultaneously. This allows you to stream high-quality H.264 images for live viewing and recording, and at the same time, stream JPEG images to a remote FTP server or PDA device.

**iSCSI device support**

Built-in iSCSI support allows AutoDome Easy IP to stream video directly to an iSCSI RAID array. This enables local video storage just like a conventional DVR without streaming high bandwidth video across the network. Local recording, or Recording at the Edge, minimizes bandwidth usage and makes system recording performance totally independent from network performance.

**Alarm management**

AutoDome Easy IP can be configured to send alarm notifications via e-mail for powerful, flexible alarm management. Each e-mail notification contains a text description of the alarm as well as a digital image of the event.

**Network-based control and configuration**

The AutoDome Easy IP enables full camera control and configuration capabilities over the network. Operators or technicians can control camera pan/tilt/zoom operation, presets, tours, and alarm management functions virtually anywhere without need for additional wiring.

The embedded web server lets the installer access all the user settings, make camera adjustments, and update firmware via a standard web browser.

**Device management**

Simple Network Management Protocol (SNMP) support facilitates the remote monitoring and management. AutoDome Easy IP provides full support for SNMP v3.

**Cost effective coverage**

It typically requires four or more fixed dome cameras to provide a full 360 degrees of surveillance coverage. Traditional PTZ dome cameras provide full coverage, but at a significantly higher cost. A single AutoDome Easy IP provides as much coverage as four fixed domes, but at half the cost of a traditional PTZ IP dome camera. Not only is your initial investment smaller, but installation and maintenance costs are reduced as well.

**Rugged reliability**

A heavy-duty, tamper-resistant aluminum housing and rugged polycarbonate bubble protect the camera from vandalism and theft, ensuring the AutoDome Easy IP continues to deliver critical images even in the toughest environments.

As with all Bosch products, AutoDome Easy IP has been subjected to the industry’s most comprehensive and demanding battery of endurance tests to make sure it will hold up through years of use. And of course it comes with Bosch’s industry-leading 3-year warranty.

**Ease of installation and servicing**

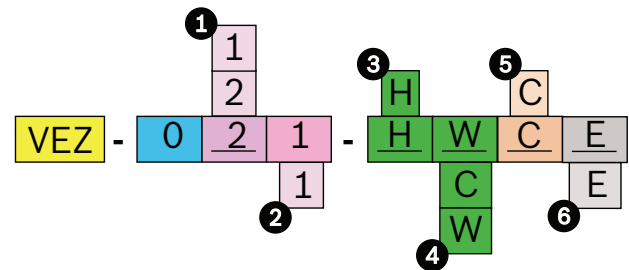
AutoDome Easy IP has been designed for quick and easy installation. The dome comes fully assembled and ready for surface mount applications. Available wall and pipe mount kits allow AutoDome Easy IP to easily be adapted for the individual site requirements. Available in white or charcoal.

An intuitive set-up menu structure and multiple language support make dome configuration quick and easy. Supported on-screen display menu languages include: English, Spanish, and French.

**Certifications and Approvals**

Electromagnetic Compatibility (EMC)	Complies with FCC Part 15, ICES-003, and CE regulations
Product Safety	Complies with CE regulations, UL, CSA, EN, and IEC Standards

**Installation/Configuration Notes**



*Ordering Guide*

**1 Video Format**

- 1 PAL
- 2 NTSC

**2 Camera Type**

- 1 Color (10X)

**3 Housing**

- H High Impact

**4 Color**

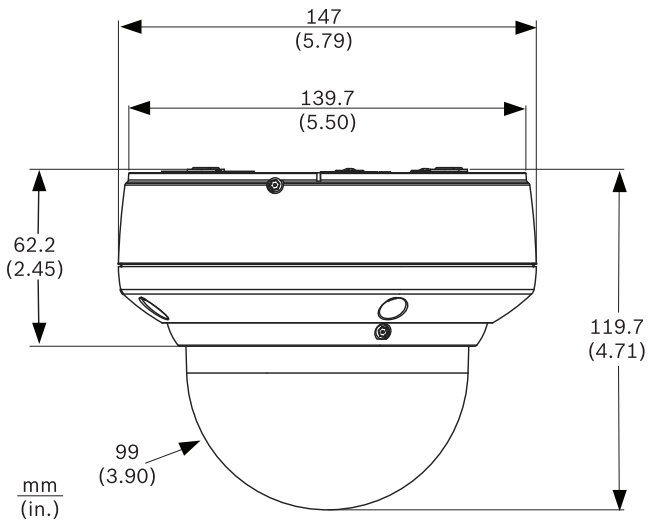
- C Charcoal
- W White

**5 Bubble**

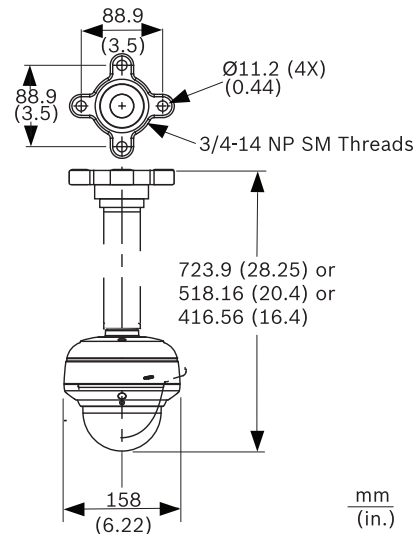
- C Clear

**6 Communications**

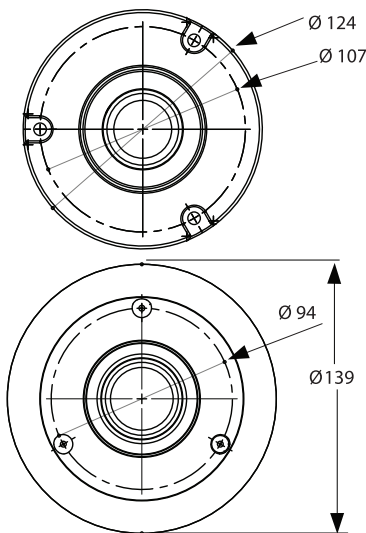
- E Ethernet (IP)



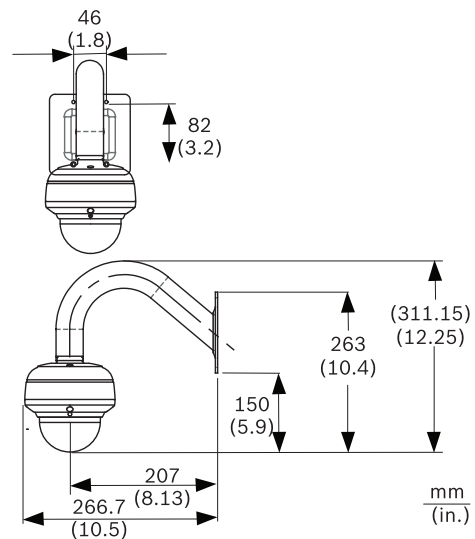
AutoDome Easy IP Dimensions



Pipe Mount Dimensions



Surface Mount Dimensions



Wall Mount Dimensions

## Technical Specifications

### Camera 10x Color

Imager	1/4 in. SuperHAD Color CCD
	752 x 582 PAL/768 x 494 NTSC
Lens	10x Zoom (3.15–31.5 mm)
Focus	Automatic with manual override
Iris	Automatic with manual override (F1.8 to F32)
Field of View	Approx. 6.5° (TELE end) to 48° (Wide end)
Video Output	1.0 Vp-p, 75 Ohm
Gain Control	AGC on/off (30dB max)
Synchronization	Internal/external (line-lock auto switching)
Digital Zoom	10x

<b>Sensitivity</b> (typical, measured internally)	30 IRE	50 IRE
	1.3 lx	2.7 lx
Shutter	Auto (1/60 NTSC (1/50 PAL) to 1/10000), manual, flickerless	
<b>Mechanical/Electrical</b>		
Weight	1.15 kg (2.53 lb)	
Pan Range	0-359°	
Tilt Angle	0-90°	
Pan Speed	120°/s max	
Tilt Speed	120°/s max	
Preset Accuracy	± 1 ° typ.	
Rated Voltage	12 VDC / 24 VAC 50/60 Hz	
Voltage Range	10.8 to 13.2 VDC 21.6 to 26.4 VAC	
Power Draw: (typ.)	24 VAC input: 24 VA / 12 W 12 VDC input: 12W	
<b>Video</b>		
Video Standards	H.264 (MPEG-4 Part 10, AVC); M-JPEG	
GOP Structure	I, IP	
Data Rate	9.6 kbps to 6 Mbps	
<b>Resolutions and Frame Rates</b>		
<b>Name</b>	<b>NTSC</b>	<b>PAL</b>
4CIF/D1	704 x 480, 30 IPS	704 x 576, 25 IPS
2 CIF	704 x 240, 30 IPS	704 x 288, 25 IPS
CIF	352 x 240, 30 IPS	352 x 288, 25 IPS
<b>Network</b>		
Protocols	TCP, IP, UDP, HTTP, DHCP, RTSP, IGMP, SNMP, ARP, RTP, Telnet, ICMP, SMTP, ISCSI	
Ethernet	100 Base-TX, auto-sensing, half/full duplex, RJ45	
<b>Environmental</b>		
Operating Temperature	-10°C to 35°C (14°F to 95°F)	
Operation Humidity	0% to 90% relative, non-condensing	
Storage Temperature	-20°C to 60°C (-4°F to 140°F)	
Protection	IP 54 (IEC60529)	
<b>Compatible Viewing Devices</b>		
<b>Digital Video Recorder</b>	Divar XF 2.0 or higher	
<b>PC Web Browser</b>	Microsoft Internet Explorer web browser version 6.0 or later	
Operating System	Windows XP or Vista	
Software	DirectX 9.0c * Microsoft .NET 2.0 * Sun Java Virtual Machine *	

	Bosch Configuration Manager*
Hardware Requirements	Processor: 1.8 GHz Pentium IV RAM: 256 MB Video system: 128 MB video memory, 1024x768 display with 16 or 32-bit color Network interface: 100 Base-TX

\* Available at [www.boschsecurity.com](http://www.boschsecurity.com)

#### Miscellaneous

Sectors/Titling	8 independent sectors with 10-character titles/sector
Camera Setup/Control	Via Internet Explorer web browser 6.0 version or later or BOSCH Configuration Manager
Unit Configuration	Via Internet Explorer web browser version 6.0 or later or BOSCH Configuration Manager
Pre-positions	60, each with 10-character titles
Preset Tours	Four (4), consisting of up to 16 scenes, consecutively
Supported Languages	English, French, and Spanish

#### User Connections

Power (Camera)	24 VAC, 50/60 Hz or 12 VDC
Alarm Input (1)	NC/NO/OFF
Video and Control	100 Base-TX Ethernet, RJ45

#### Ordering Information

<b>VEZ-011-HWCE</b> AutoDome Easy IP, white, 10X color, PAL	<b>VEZ-011-HWCE</b>
<b>VEZ-021-HWCE</b> AutoDome Easy IP, white, 10X color, NTSC	<b>VEZ-021-HWCE</b>
<b>VEZ-011-HCCE</b> AutoDome Easy IP, charcoal, 10X color, PAL	<b>VEZ-011-HCCE</b>
<b>VEZ-021-HCCE</b> AutoDome Easy IP, charcoal, 10X color, NTSC	<b>VEZ-021-HCCE</b>
<b>Accessories</b>	
<b>VEZ-A-WW Wall Mount</b> AutoDome Easy wall mount white	<b>VEZ-A-WW</b>
<b>VEZ-A-WC Wall Mount</b> AutoDome Easy wall mount charcoal	<b>VEZ-A-WC</b>
<b>VEZ-A-PW Pipe Mount</b> AutoDome Easy pipe mount white	<b>VEZ-A-PW</b>
<b>VEZ-A-PC Pipe Mount</b> AutoDome Easy pipe mount charcoal	<b>VEZ-A-PC</b>
<b>VDA-NWDFMT Flush-mount Ceiling Kit</b>	<b>VDA-NWDFMT</b>
<b>VDA-NWDSKT Support Kit for VDA-NWDFMT</b>	<b>VDA-NWDSKT</b>



**Americas:**  
Bosch Security Systems, Inc.  
130 Perinton Parkway  
Fairport, New York, 14450, USA  
Phone: +1 800 289 0096  
Fax: +1 585 223 9180  
security.sales@us.bosch.com  
www.boschsecurity.us

**Europe, Middle East, Africa:**  
Bosch Security Systems B.V.  
P.O. Box 80002  
5600 JB Eindhoven, The Netherlands  
Phone: +31 40 2577 284  
Fax: +31 40 2577 330  
emea.securitysystems@bosch.com  
www.boschsecurity.com

**Asia-Pacific:**  
Robert Bosch (SEA) Pte Ltd, Security Systems  
11 Bishan Street 21  
Singapore 573943  
Phone: +65 6258 5511  
Fax: +65 6319 3499  
apr.securitysystems@bosch.com  
www.boschsecurity.com

**Represented by**