


BOSCH

Invented for life

AEGIS UFLED Intelligent-IR Illuminator



- ▶ **Controlled by Constant Light technology which automatically compensates for LED degradation**
- ▶ **Powered by Black Diamond IR for High-Fidelity**
- ▶ **Micro-refraction lens technology enables wide beam patterns of 60°, 95°, 120°**
- ▶ **12 VDC / 24 VAC Power-On-Board - no separate PSU required**
- ▶ **High efficiency SMT LEDs for improved thermal management and increased LED life**

AEGIS UFLED, the world's first Intelligent-IR illuminator combines innovations in infrared technology and design to deliver absolute performance in night vision surveillance.

Constant Light technology compensates for LED degradation, a natural occurrence with all LED-based illuminators, to deliver a constant level of lighting performance throughout the life of the illuminator.

Powered by award-winning Black Diamond IR, AEGIS UFLED delivers High-Fidelity Even-Illumination which lights the foreground and background of the scene eliminating hotspots and underexposure.

IP67 rated AEGIS UFLED features a 12 VDC / 24 VAC power circuit built into the illuminator to allow direct powering of the unit, without the need for a separate PSU.

Functions

Controlled by Constant Light technology

- Maintains a constant level of infrared performance throughout the life of the illuminator
- Maintains a constant level of infrared performance when operated at varying ambient temperatures
- Continues to deliver the specified range for the life of the illuminator
- Reduces initial input power consumption for a more environmentally-friendly solution

Powered by Black Diamond IR

- Award winning Black Diamond IR eliminates hotspots in the foreground and underexposed backgrounds
- Delivers High-Fidelity Even-Illumination for up to 220 m (720 ft) of superior night vision images
- Reduced network bandwidth requirement
- Reduced image lag and dropped frames

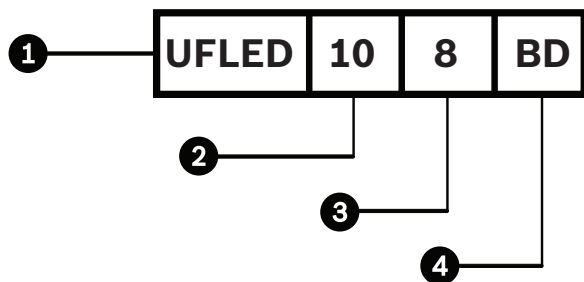
12 VDC / 24 VAC Power-On-Board

- No separate PSU required
- Reduces installation time and costs
- Enables easier, more aesthetically pleasing installations
- Energy efficient operation
- Easy connection of remote telemetry and camera day/night switching

High Efficiency Surface Mount LEDs

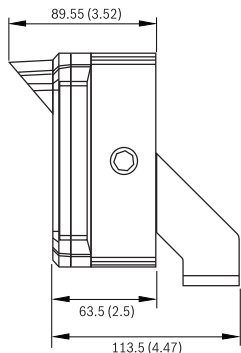
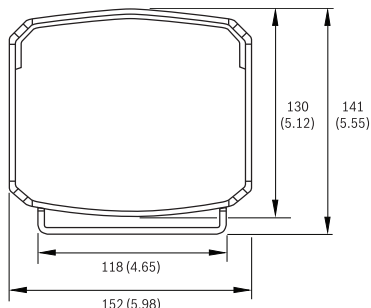
- Cool operation with improved optical output efficiency and thermal management
- Reduced power input and consumption for a more environmentally-friendly solution and lower operating costs for the end user

Installation/Configuration Notes



1. Model	UFLED	AEGIS UFLED
2. Beam Pattern	10	10°
	20	20°
	30	30°
	60	60°
	90	90°
	120	120°
3. Wavelength	8	850 nm
4.	BD	Black Diamond

Dimensions



mm (in)

Technical Specifications

Illuminator

LEDs	High efficiency LED array with current limited integral power circuit
Number of LEDs	18 high efficiency surface mount LEDs
Beam Patterns	10°, 20°, 30°, 60°, 95°, 120°
Wavelength	850 nm
Power consumption	26 to 45 W (45 W max power) Power consumption will vary over time due to the intelligent IR's optical output control which compensates for LED degradation and ambient temperature fluctuations
Input Voltage	12 to 40 VDC or 24 VAC ±30%
Temperature Range	-50 °C to +50 °C (-58 °F to +122 °F) max on full power
Environment	IP67
Construction	Robust, aluminum construction with acrylic front fascia
Weight	1.4 kg (3.1 lb)
Dimensions	152 x 188 x 115 mm (6.0 x 7.4 x 4.5 in)
Color	Black anodised heat sink with black front fascia
Power Cable	Supplied with IP67 power connector and 5 m (16 ft) of connecting lead. optional 10 m (32 ft) and 15 m (59 ft) lengths available.
Bracket	Wall mount U-bracket supplied

Performance Ranges

Model	Beam Pattern	Achievable Distance*	HOV
UFLED10-8BD	10°	220 m (720 ft)	40 m (125 ft)
UFLED20-8BD	20°	150 m (490 ft)	55 m (175 ft)
UFLED30-8BD	30°	110 m (360 ft)	60 m (195 ft)
UFLED60-8BD	60°	70 m (230 ft)	80 m (265 ft)
UFLED95-8BD	95°	50 m (165 ft)	110 m (300 ft)
UFLED120-8BD	120°	35 m (115 ft)	120 m (400 ft)

*Actual illumination distance achieved is dependent on camera and lens characteristics.

Ordering Information

UFLED10-8BD AEGIS Illuminator AEGIS Intelligent-IR UFLED illuminator, 10°, 850 nm	UFLED10-8BD
UFLED20-8BD AEGIS Illuminator AEGIS Intelligent-IR UFLED illuminator, 20°, 850 nm	UFLED20-8BD
UFLED30-8BD AEGIS Illuminator AEGIS Intelligent-IR UFLED illuminator, 30°, 850 nm	UFLED30-8BD
UFLED60-8BD AEGIS Illuminator AEGIS Intelligent-IR UFLED illuminator, 60°, 850 nm	UFLED60-8BD

Ordering Information

UFLED95-8BD AEGIS Illuminator AEGIS Intelligent-IR UFLED illuminator, 95°, 850 nm	UFLED95-8BD
--	--------------------

UFLED120-8BD AEGIS Illuminator AEGIS Intelligent-IR UFLED illuminator, 120°, 850 nm	UFLED120-8BD
--	---------------------

Accessories

UFLED-CI-5M Switching Cable 5 m (16.4 ft) remote telemetry or day/night switching cable for AEGIS UFLED	UFLED-CI-5M
--	--------------------

UFLED-CL-1M Link Cable 1 m (3.3 ft) telemetry link cable for AEGIS UFL- ED	UFLED-CL-1M
---	--------------------

PSU-UFLED230X2 Power Supply Optional 230 V mains driven PSU for AE- GIS UFLED, can run up to 2 units	PSU-UFLED230X2
---	-----------------------

Americas:

Bosch Security Systems, Inc.
130 Perinton Parkway
Fairport, New York, 14450, USA
Phone: +1 800 289 0096
Fax: +1 585 223 9180
security.sales@us.bosch.com
www.boschsecurity.us

Europe, Middle East, Africa:

Bosch Security Systems B.V.
P.O. Box 80002
5600 JB Eindhoven, The Netherlands
Phone: +31 40 2577 284
Fax: +31 40 2577 330
emea.securitysystems@bosch.com
www.boschsecurity.com

Asia-Pacific:

Bosch Security Systems Pte Ltd
38C Jalan Pemimpin
Singapore 577180
Phone: +65 6319 3450
Fax: +65 6319 3499
apr.securitysystems@bosch.com
www.boschsecurity.com

Represented by