



## TC9340A Series Housings Outdoor



- ▶ For 2/3-inch and smaller format CCD cameras
- ▶ All aluminum construction
- ▶ Easy installation
- ▶ Built-in elevation block
- ▶ Gas spring assisted lid opening
- ▶ Accessories available

Designed as a medium size environmental enclosure, the TC9340A Series weatherproof environmental housings accommodate 2/3-inch and smaller format CCD cameras with up to 10X zoom lenses.

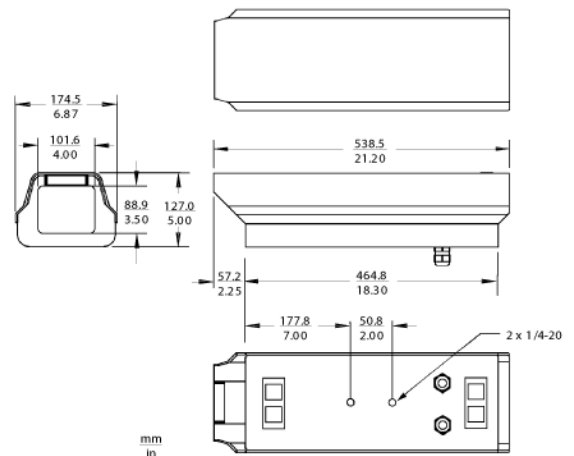
### Functions

Releasing the latch on the rear of the enclosure raises the lid upward providing maximum accessibility to the interior.

Two unique internal features maximize ease of installation and camera/lens adjustments. A gas spring holds the lid securely when fully opened and a built-in elevation block/camera sled facilitates camera mounting. For further versatility, the camera sled is removable and can be inverted depending on the camera/lens combination utilized.

The TC9340A Series of housings are available with a full complement of accessories such as: heater, blower, thermal insulation kit, window defroster, and a sunshield. With a heater and a blower kit installed, the unit is capable of operating in ambient temperatures ranging from -23 °C to 49 °C (-10 °F to 120 °F).

### Installation/Configuration Notes



Dimensional Outline TC9340A Series

## Parts Included

### O/I-PCB Assembly Connector Board:

PC board with thermostat. One required when installing a heater, blower, or defroster individually or in common.

### O/I Outlet (Electrical Outlet):

3-prong receptacle, rated 120 VAC; for camera connection (provides plug in capability vs. hard wiring).

## Technical Specifications

### Mechanical

|                           |   |
|---------------------------|---|
| Maximum Camera/ Lens Size | 304.8 x 139.7 x 108.0 mm<br>(13.5 x 5.5 x 4.24 inch)                              |
| Cable Entry               | Two 12.7 (0.5 inch) glands on bottom of housing.                                  |
| Windows                   | 6.4 mm (0.25 inch) thick poly-carbonate. UV-stabilized with a silicone hard coat. |
| Dimensions:               | 88.9 H x 101.6 W mm<br>(3.50 x 4.00 inch)   |
| Housing Mounting          | Two (2) 1/4-20 tapped holes.  |
| Camera Mounting           | Removable camera sled with built-in elevation block.                              |
| Construction              | Aluminum  |
| Finish                    | Textured semi gloss beige   |
| Dimensions                | See Dimensional Outline   |
| Weight                    | 3.28 kg (7.25 lb)<br>without heater/blower  |

## Ordering Information

|  |          |
|--|----------|
| TC9340A Outdoor Housing<br>for camera/lens to 16-inch                        | TC9340A  |
| <b>Accessories</b>   |          |
| HK47-1 Heater<br>for TC9340A, requires o/i PCB, 120 VAC,<br>50/60 Hz, 60 W   | HK47-1   |
| HK47-2 Heater<br>for TC9340A, requires o/i PCB, 24 VAC,<br>50/60 Hz, 50 W    | HK47-2   |
| HK47-3 Heater<br>for TC9340A, requires o/i PCB, 230 VAC,<br>50/60 Hz, 55 W   | HK47-3   |
| BK47-1 Blower<br>for TC9340A, requires o/i PCB, 120 VAC,<br>50/60 Hz, 8 W    | BK47-1   |
| BK47-2 Blower<br>for TC9340A, requires o/i PCB, 24 VAC,<br>50/60 Hz, 8 W     | BK47-2   |
| BK47-3 Blower<br>for TC9340A, requires o/i PCB, 230 VAC,<br>50/60 Hz, 8 W    | BK47-3   |
| WD47-1 Window Defroster and Defogger<br>120 VAC, 50/60 Hz, 15 W              | WD47-1   |
| WD47-2 Defroster<br>for TC9340A, requires o/i-pcb, 24 VAC,<br>50/60 Hz, 15 W | WD47-2   |
| WD47-3 Window Defroster and Defogger<br>230 VAC, 50/60 Hz, 15 W              | WD47-3   |
| TC9340AS Sunshield<br>for TC9340A  | TC9340AS |
| T147 Low Temperature Package   | T147     |

**Europe, Middle East, Africa:**  
Bosch Security Systems B.V.  
P.O. Box 80002  
5600 JB Eindhoven, The Netherlands  
Phone: + 31 40 2577 284  
Fax: +31 40 2577 330  
emea.securitysystems@bosch.com  
www.boschsecurity.com

**Americas:**  
Bosch Security Systems, Inc.  
130 Perinton Parkway  
Fairport, New York, 14450, USA  
Phone: +1 800 289 0096  
Fax: +1 585 223 9180  
security.sales@us.bosch.com  
www.boschsecurity.us

**Asia-Pacific:**  
Bosch Security Systems Pte Ltd  
38C Jalan Pemimpin  
Singapore 577180  
Phone: +65 6319 3450  
Fax: +65 6319 3499  
apr.securitysystems@bosch.com  
www.boschsecurity.com

**Represented by**