



**BOSCH**  
Invented for life

## TC9209MM-W, MM3000, TC9217MM, TC9220MM Series Monitor Mounts



- ▶ For mounting a 23 cm (9 in.) to a 53 cm (21 in.) monitor
- ▶ Wide range of sizes
- ▶ For wall and ceiling installations
- ▶ Adjustable tilt up to 30 and 360° swivel
- ▶ Top and front roll-out protection
- ▶ Sturdy construction

This series of monitor mounts provides a convenient method of mounting most monitors to ceilings and walls. Units are available for mounting 23 cm (9 in.) to 53 cm (21 in.) monitors. The trays on all units swivel and are adjustable for tilt; monitors are easily mounted to the random hole patterns on the adjustable width trays. See the compatibility chart for the correct monitor mount for your Bosch monitor.

increase clearance from the ceiling by 610 mm (2 ft) and 1219 mm (4 ft) lengths.

The **TC9200MM-W** series are used to mount monitors to a flat wall. Mounting arms are included and allow for 360° swivel of the mounted monitor.

### Functions

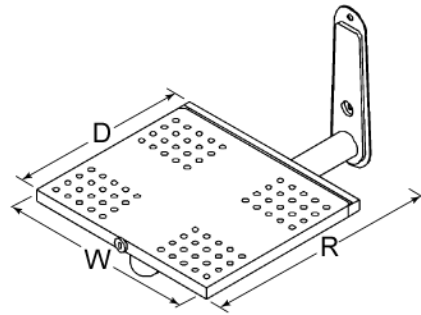
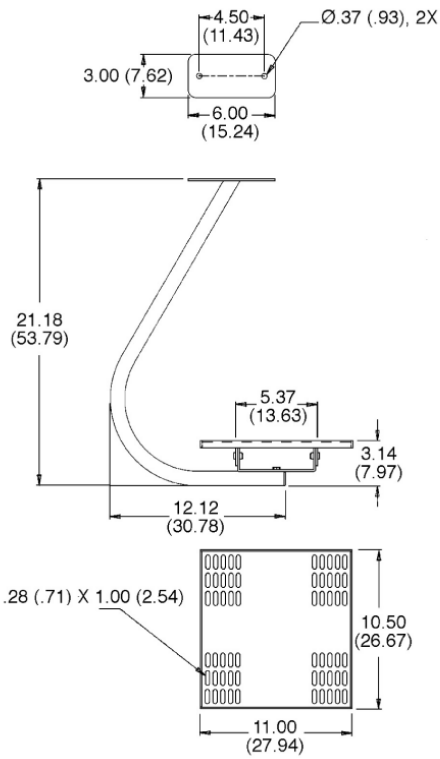
The **MM3000** is a ceiling mount for 23 cm (9 in.) to 30 cm (12 in.) monitors. It is designed to mount to a ceiling or flat overhead surface. Its lightweight aluminum construction offers fast and easy installation. The tray locks with an Allen wrench.

The **TC9209MM-W** is designed to mount 23 cm (9 in.) to 33 cm (13 in.) monitors to a flat wall. These units have a locking mounting tray with a key-type lock.

The **TC9200MM** series have all been redesigned to incorporate anti-roll-out brackets to provide an extra measure of safety and support to prevent a monitor from falling forward when mounted in the tilt-down position. Maximum tilt-down angle has been increased to 30°.

All parts are included in the **TC9200MM-C** series to mount various monitor sizes to a structural ceiling. The TC9220EC series extension columns can be used to

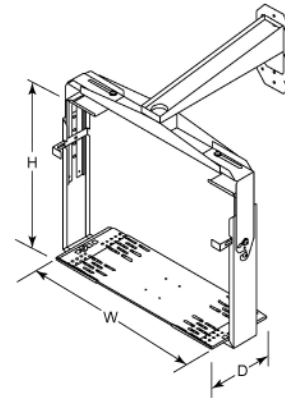
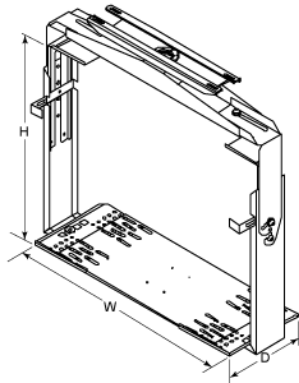
Installation/Configuration Notes



Wall Mount: TC9209MM-W

| Width  | Depth  | Reach  |
|--------|--------|--------|
| mm     | mm     | mm     |
| (in.)  | (in.)  | (in.)  |
| 267    | 292    | 368    |
| (10.5) | (11.5) | (14.5) |

MM3000



Suspended Wall Mounts: TC9217MM-W / TC9220MM-W

TC9217MM-C / TC9220MM-C

| Model No.  | Width        | Height       | Depth |
|------------|--------------|--------------|-------|
|            | mm           | mm           | mm    |
|            | (in.)        | (in.)        | (in.) |
| TC9217MM-C | 343 to 534   | 324 to 457   | 254   |
|            | (13.5 to 21) | (12.8 to 18) | (10)  |
| TC9220MM-C | 457 to 660   | 400 to 533   | 356   |
|            | (18 to 26)   | (15.8 to 21) | (14)  |

| Model No.  | Width        | Height       | Depth | Reach |
|------------|--------------|--------------|-------|-------|
|            | mm           | mm           | mm    | mm    |
|            | (in.)        | (in.)        | (in.) | (in.) |
| TC9217MM-W | 343 to 533   | 324 to 457   | 254   | 457   |
|            | (13.5 to 21) | (12.8 to 18) | (10)  | (18)  |
| TC9220MM-W | 457 to 660   | 400 to 533   | 356   | 457   |
|            | (18 to 26)   | (15.8 to 21) | (14)  | (18)  |

## Technical Specifications

### MM3000

|                     |                                 |
|---------------------|---------------------------------|
| <b>Monitor Size</b> | 23 cm (9 in.) to 30 cm (12 in.) |
| <b>Maximum Load</b> | 18 kg (40 lb)                   |
| <b>Pan</b>          | 360°                            |
| <b>Tilt</b>         | 45° maximum forward             |
| <b>Finish</b>       | Off-white                       |
| <b>Dimensions</b>   | See drawing <sup>1</sup>        |
| <b>Weight</b>       | 3.62 kg (8 lb)                  |

1. Dimensions are shown in inches; dimensions in parenthesis are in centimeters.

### TC9217MM-C

|                     |                                  |
|---------------------|----------------------------------|
| <b>Monitor Size</b> | 33 cm (13 in.) to 43 cm (17 in.) |
| <b>Maximum Load</b> |                                  |
| Concrete Ceiling    | 65 kg (150 lb)                   |
| Wood Stud Ceiling   | 57 kg (125 lb)                   |
| <b>Pan</b>          | 360°                             |
| <b>Tilt Range</b>   | 30°                              |
| <b>Finish</b>       | Black                            |
| <b>Dimensions</b>   | See drawing                      |
| <b>Weight</b>       | 14.2 kg (31.3 lb)                |

### TC9220MM-C

|                     |                                  |
|---------------------|----------------------------------|
| <b>Monitor Size</b> | 48 cm (19 in.) to 53 cm (21 in.) |
| <b>Maximum Load</b> |                                  |
| Concrete Ceiling:   | 65 kg (150 lb)                   |
| Wood Stud Ceiling   | 57 kg (125 lb)                   |
| <b>Pan</b>          | 360°                             |
| <b>Tilt Range</b>   | 30°                              |
| <b>Finish</b>       | Black                            |
| <b>Dimensions</b>   | See drawing                      |
| <b>Weight</b>       | 16.7 kg (36.7 lb)                |

### TC9209MM-W

|                     |                                 |
|---------------------|---------------------------------|
| <b>Monitor Size</b> | 23 cm (9 in.) to 33 cm (13 in.) |
| <b>Maximum Load</b> | 22.7 kg (50 lb)                 |
| <b>Pan</b>          | 360°                            |
| <b>Tilt Range</b>   | 0°/5°/10°                       |
| <b>Finish</b>       | Black                           |
| <b>Dimensions</b>   | See drawing                     |
| <b>Weight</b>       | 3.9 kg (8.5 lb)                 |

### TC9217MM-W

|                     |                                  |
|---------------------|----------------------------------|
| <b>Monitor Size</b> | 33 cm (13 in.) to 43 cm (17 in.) |
| <b>Maximum Load</b> |                                  |
| Concrete Wall       | 68 kg (150 lb)                   |
| Wood Stud Wall      | 56.7 kg (125 lb)                 |

|                   |                   |
|-------------------|-------------------|
| <b>Pan</b>        | 360°              |
| <b>Tilt Range</b> | 30°               |
| <b>Finish</b>     | Black             |
| <b>Dimensions</b> | See drawing       |
| <b>Weight</b>     | 18.4 kg (40.5 lb) |

### TC9220MM-W

|                     |                                  |
|---------------------|----------------------------------|
| <b>Monitor Size</b> | 48 cm (19 in.) to 53 cm (21 in.) |
| <b>Maximum Load</b> |                                  |
| Concrete Wall       | 68 kg (150 lb)                   |
| Wood Stud Wall      | 56.7 kg (125 lb)                 |
| <b>Pan</b>          | 360°                             |
| <b>Tilt Range</b>   | 30°                              |
| <b>Finish</b>       | Black                            |
| <b>Dimensions</b>   | See drawing                      |
| <b>Weight</b>       | 21.3 kg (46.9 lb)                |

## Monitor Mount Compatibility Chart

| Bosch Monitor Model No. | Ceiling Mount | Wall Mount |
|-------------------------|---------------|------------|
| <b>Monochrome</b>       |               |            |
| LTC 2009/51, /61        | MM3000        | TC9209MM-W |
| LTC 2012/51, /61        | MM3000        | TC9209MM-W |
| LTC 2017/50, /60        | TC9217MM-C    | TC9217MM-W |
| LTC 2020/91             | TC9220MM-C    | TC9220MM-W |
| <b>Color</b>            |               |            |
| LTC 2810/91             | TC9217MM-C    | TC9217MM-W |
| LTC 2813/60, /90        | TC9217MM-C    | TC9217MM-W |
| LTC 2814/90             | TC9217MM-C    | TC9217MM-W |
| LTC 2821/91             | TC9220MM-C    | TC9220MM-W |
| LTC 2910/50, /60, /90   | MM3000        | TC9209MM-W |
| LTC 2915/91             | TC9217MM-C    | TC9217MM-W |
| LTC 2917/90, /91        | TC9217MM-C    | TC9217MM-W |
| LTC 2919/90             | TC9220MM-C    | TC9220MM-W |

## Ordering Information

|                                                                                                                                  |              |
|----------------------------------------------------------------------------------------------------------------------------------|--------------|
| MM3000 Monitor Mount<br>mount for 23 cm (9 in.) to 53 cm (21 in.) monitors<br>ceiling, for LTC 2009, 2012, 2910                  | 899380030511 |
| TC 9217MM-C Monitor Mount<br>mount for 23 cm (9 in.) to 53 cm (21 in.) monitors<br>ceiling, for LTC 2017, 2810, 2813, 2915, 2917 | 899380033951 |
| TC 9220MM-C Monitor Mount<br>mount for 23 cm (9 in.) to 53 cm (21 in.) monitors<br>ceiling, for LTC 2020, 2821, 2919             | 899380033901 |
| TC 9227MM-C Monitor Mount<br>mount for 23 cm (9 in.) to 53 cm (21 in.) monitors<br>ceiling, for 27ST220L                         | 899380035081 |
| TC 9209MM-W Monitor Mount<br>mount for 23 cm (9 in.) to 53 cm (21 in.) monitors<br>wall, for LTC 2009, 2012, 2910                | 899380020791 |

**Ordering Information**

|                                                                                                                               |              |
|-------------------------------------------------------------------------------------------------------------------------------|--------------|
| TC 9217MM-W Monitor Mount<br>mount for 23 cm (9 in.) to 53 cm (21 in.) monitors<br>wall, for LTC 2017, 2810, 2813, 2915, 2917 | 899380033961 |
|-------------------------------------------------------------------------------------------------------------------------------|--------------|

|                                                                                                                   |              |
|-------------------------------------------------------------------------------------------------------------------|--------------|
| TC 9220MM-W Monitor Mount<br>mount for 23 cm (9 in.) to 53 cm (21 in.) monitors<br>wall, for LTC 2020, 2821, 2919 | 899380035061 |
|-------------------------------------------------------------------------------------------------------------------|--------------|

|                                                                                                                                                                  |              |
|------------------------------------------------------------------------------------------------------------------------------------------------------------------|--------------|
| TC 9227MM-W Monitor Mount<br>mount for 23 cm (9 in.) to 53 cm (21 in.) monitors<br>wall for 50.8-cm (20-in.) to 68.58-cm (27-in.)<br>monitors, 90.72 kg (200 lb) | 899380035091 |
|------------------------------------------------------------------------------------------------------------------------------------------------------------------|--------------|

**Hardware Accessories**

|                                                                        |              |
|------------------------------------------------------------------------|--------------|
| TC9220EC2 Extension Pole<br>61 cm (24 in.), for monitor ceiling mounts | 899380033721 |
|------------------------------------------------------------------------|--------------|

|                                                                           |              |
|---------------------------------------------------------------------------|--------------|
| TC9220EC4 Extension Pole<br>121.9 cm (48 in.), for monitor ceiling mounts | 899380033711 |
|---------------------------------------------------------------------------|--------------|

**Europe, Middle East, Africa:**

Bosch Security Systems B.V.  
P.O. Box 80002  
5600 JB Eindhoven, The Netherlands  
Phone: +31 40 27 83955  
Fax: +31 40 27 86668  
emea.securitysystems@bosch.com  
www.boschsecurity.com

**Americas:**

Bosch Security Systems  
130 Perinton Parkway  
Fairport, New York, 14450, USA  
Phone: +1 800 289 0096  
Fax: +1 585 223 9180  
security.sales@us.bosch.com  
www.boschsecurity.us

**Asia-Pacific:**

Bosch Security Systems Pte Ltd  
38C Jalan Pemimpin  
Singapore 577180  
Phone: +65 6319 3450  
Fax: +65 6319 3499  
apr.securitysystems@bosch.com  
www.boschsecurity.com

**Represented by**