

LTC 9230/00

Parapet Mount AutoDome® Systems

- **Accepts all Philips AutoDome® Systems**
- **Roof Mount Available**
- **Swivels to Allow Easy Positioning**
- **Sturdy Construction**
- **Attractive Appearance**
- **Lightweight**
- **Corrosion-Resistant Finish**



Shown with LTC 0825 Pendant AutoDome System. AutoDome System is not included.

The Philips LTC 9230/00 Parapet Mount has been designed for Philips AutoDome installations up to a rated load of 29 kg (64 lb). It is made of lightweight aluminium and features welded construction providing an extremely rigid dome mount.

The mount can be fitted on the inside or outside of parapets and can be swiveled to allow for easy positioning and servicing access to the AutoDome. Also available is the LTC 9230/01 Roof Mount which enables the parapet to be mounted on a flat surface.

SPECIFICATION

LTC 9230/00:

MECHANICAL

Maximum Load: 29 kg (64 lb)

Load center of gravity located in line with load attachment point.

Load attachment point uses 1-1/2 NPT (Pipe thread).

Mounting Hardware: Not furnished

Finish: Dark Mushroom

Construction: Aluminum

Dimensions: See **Dimensional Outline**.

Weight: 7.7 kg (17 lb).

Note: Do not mount the LTC 9230/00 in an inverted position.

ACCESSORIES

LTC 9230/01 Roof Mount: For mounting unit in an upright position on a flat surface.

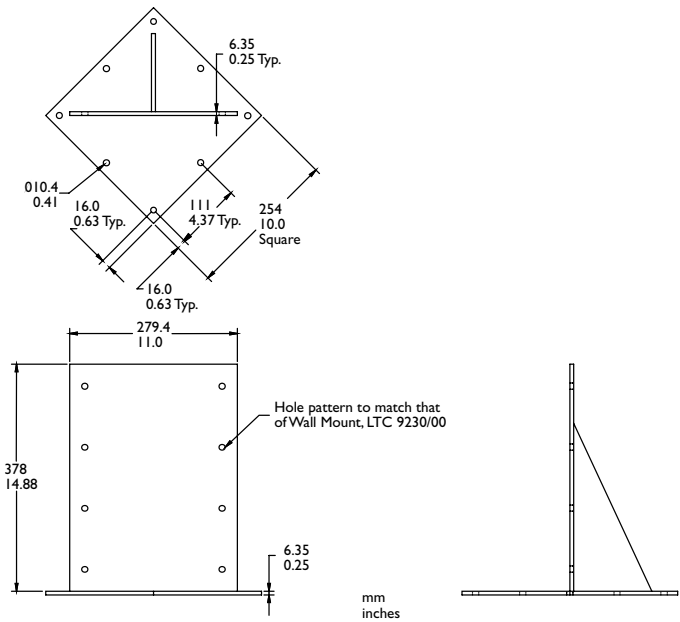


Figure 2: Optional LTC 9230/01 Roof Mount

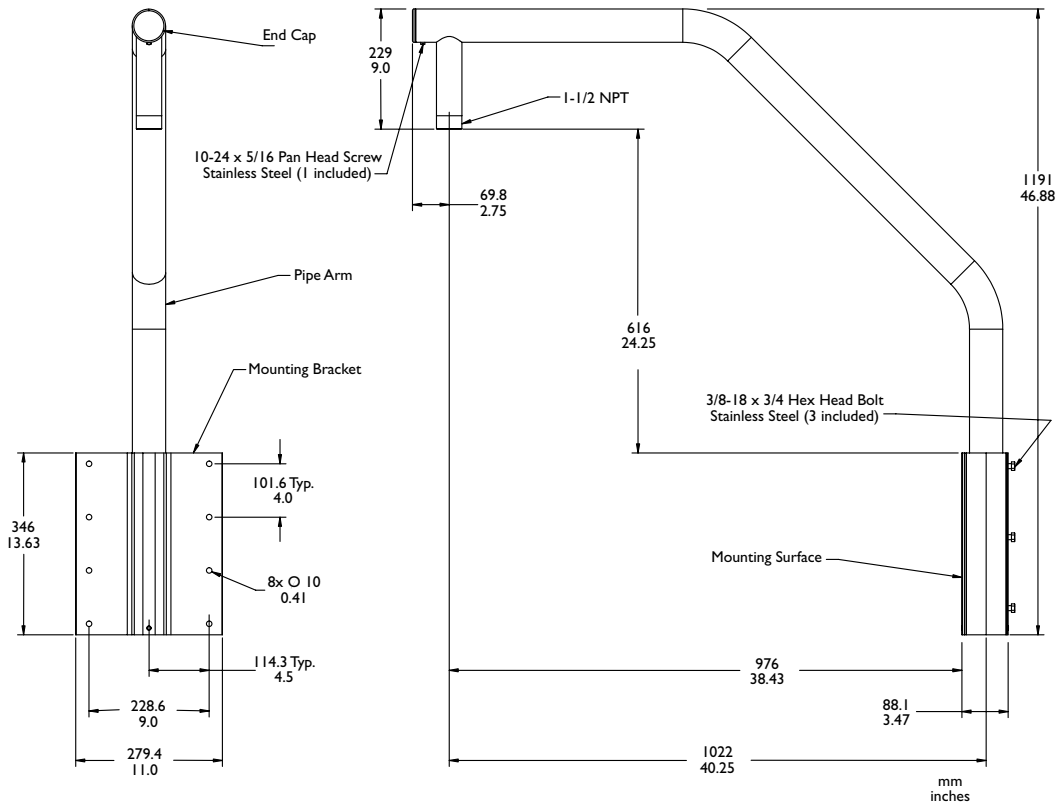


Figure 1: Dimensional Outline - LTC 9230/00 Parapet Mount Shown With Included Wall Mount Bracket



PHILIPS

Let's make things better.