

LTC 8780 Series Data Converter Units



Security Systems

- Designed for Various Applications Utilizing Allegiant® Series Switchers
- Converts Allegiant Biphasic Control Code to RS-232 and RS-232 to Biphasic
- Provides Satellite Address Decoding
- Signal Distribution Mode Provides 15 Outputs
- Compatible with LTC 5135 Series Controller/Followers

Formerly known
as Philips CSI



The LTC 8780 Series are accessory units that convert the Allegiant system's biphasic control code into RS-232, or convert RS-232 back to biphasic code. They provide the capability of transmitting the control code over conventional RS-232 transmission mediums such as phone modems, fiber optics, microwaves, etc. The unit will accept the biphasic control code generated by an Allegiant main CPU bay, a LTC 8568/00 Signal Distribution unit, a LTC 5135 Series Controller/Followers, or an output from a LTC 8569 Series or LTC 8570, LTC 8571, LTC 8572 Series Code Merger units.

The LTC 8780 Series are also designed to perform the Satellite selector functions in an Allegiant satellite system configuration. In addition, using its integral signal distribution capability, the LTC 8780 Series can function as remote distribution units for driving up to 120 receiver/driver devices connected to its 15 outputs. As a distribution unit, wiring can be in either a *star* or *daisy chain* configuration, and each output is capable of driving eight (8) daisy chained receiver/driver loads, at up to 1.5km (5000ft) away using 1mm² (18AWG) shielded twisted pair (Belden 8760 or equivalent).

Electrical

Model No.	Rated Voltage	Voltage Range
LTC 8780/60	120VAC, 50/60Hz	108 to 132
LTC 8780/50	230VAC, 50/60Hz	198 to 264
Power at Rated Voltage	4W	

Indicators

Power	Green LED
Code In	Green LED
RS-232 In	Green LED
Code Out	Red LED
RS-232 Out	Red LED

Connectors

Inputs:

Biphase Control Code	One 15-pin connector (mating connector supplied)
RS-232	One 9-pin male connector (pin compatible with industry standard modem cable; mating cable not supplied)

Outputs:

Biphase Control Code	Three 15-pin connectors providing a total of 15 biphase outputs (mating connectors supplied)
Console	One 9-pin male connector (mating cable compatible with Allegiant CONSOLE port supplied)
AC Input	3-wire power cord with grounded plug; 1.8m (6ft) long

Mechanical

Construction	Steel chassis with sheet metal cover and plastic bezel
Finish	Charcoal
Dimensions	223 W x 280 D x 40 H mm (8.77 x 11 x 1.59in)
Weight	1.6kg (3.5lb)

Environmental

Temperature	Operating: -18°C to +50°C (0°F to +122°F) Storage: -40°C to +60°C (-40°F to +140°F)
Humidity	10% to 90% relative, noncondensing
Vibration	3g swept sine wave, 15Hz to 2000Hz
Shock	30g, 11ms, 1/2sine

Product Regulatory Compliance

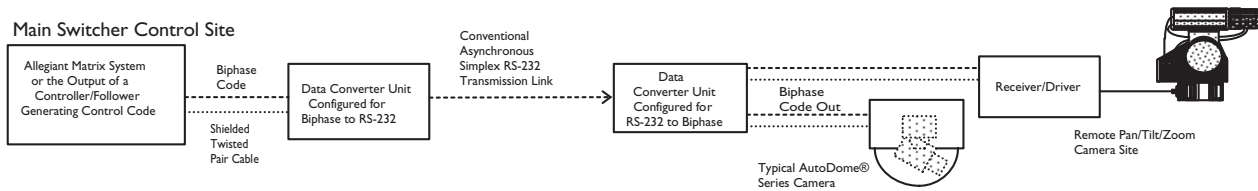
Electromagnetic Compatibility (EMC)
Complies with FCC Part 15, ICES-003, and CE regulations

Product Safety
Complies with CE regulations, UL, CSA, EN, and IEC Standards

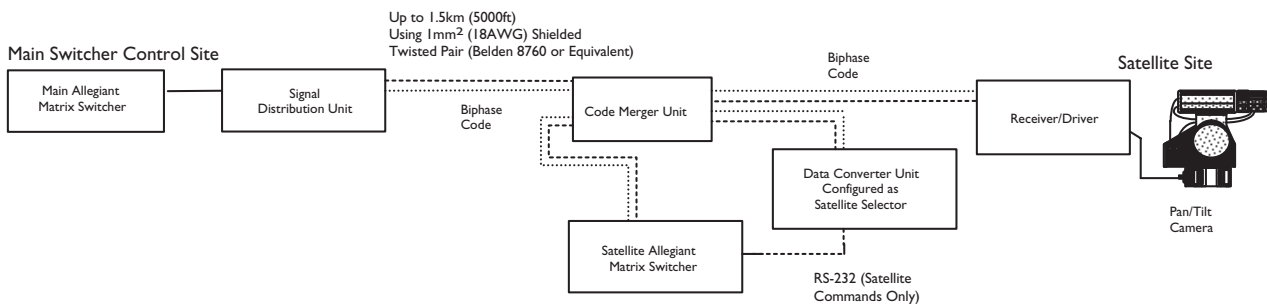
Options

LTC 9101/00 Rack Kit	For mounting one or two units in an EIA 19in rack
Height	1 standard rack unit
Width	1 standard rack unit

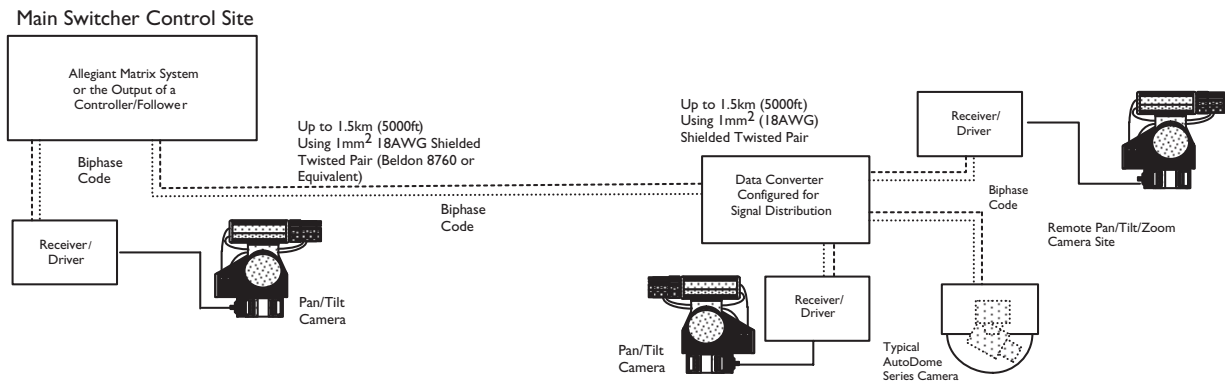
Code Conversion Application



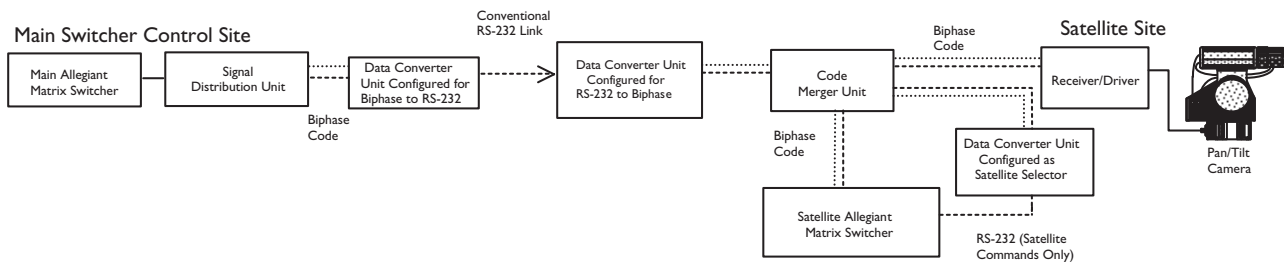
Satellite Address Decoder Application

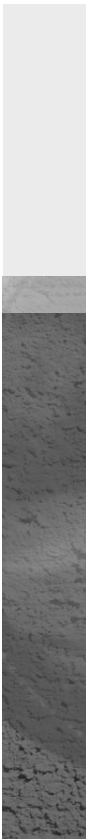


Configured as Remote Signal Distribution Unit



Code Conversion Combined with Satellite Address Decoding





Bosch Security Systems, Inc.
850 Greenfield Road
Lancaster, PA 17601 USA
Tel: 800-326-3270
Fax: 717-735-6560
www.boschsecuritysystems.com

BOSCH