

HSG9483 Series Camera Housings



Security Systems



- Protects Camera/Lens Combinations up to 317mm (12.5in) Length
- Hinged Side Opening for Easy Installation and Camera Setup
- IP66, designed to meet NEMA-4
- Aluminum and Advanced Polymer Construction
- Sunshield Included on all Outdoor Models
- Cable Routing Through Base or Rear of Housing
- Tamper-resistant

The HSG9483 Series Housings are smartly styled housings, for indoor and outdoor use. These housings meet customer requirements for camera enclosures that are both cost-competitive and installer-friendly. Models are available for use with 24VAC, 115VAC, and 230VAC cameras, to fit a wide range of applications.

The unique hinged side-opening design facilitates easy installation of all camera/lens combinations, and allows access to most camera and lens controls when the housing is in its mounted position. Power, video, and lens control cabling can be routed through liquid-tight fittings in the bottom rear of the housing, or for even better cable management, via the feed-through entry holes in the base. Mounting holes in the base permit installation to a wide range of pan/tilts, adjustable heads, and various camera mount brackets.

External 4-pin and BNC connectors for power and video, located in the rear end cap, are also available on 24VAC and 230VAC models.

These aluminum-constructed housings are available with a factory-installed heater and blower. The heater maintains the internal temperature of the housing in cold temperature conditions as low as -40°C (-40°F). In combination with a continuous-duty blower, the unit minimizes fogging in high humidity locations, and extends the temperature limits. Sunshields are included on all outdoor models.

All models accommodate installation of Dinion™ style cameras with fixed focal, varifocal, or up to a 15x motorized zoom lens. For increased security, tamper-resistant screws are provided for the locking clasps to prevent unwanted access to the housing contents.

With a sleek design that meets NEMA-4 and IP66 enclosure standards, the HSG9483 Series Housings are the optimal solution for protecting your video surveillance equipment from adverse elements.

HSG9483 Series Model Mix

Model No.	Installed Accessory ¹	Voltage/Power	Camera Ratings	Maximum Camera/Lens Size ²
Indoor Units				
HSG9483/00	----	---- / ----	24, 115, 230VAC	81 W x 89 H x 317 L mm (3.2 x 3.5 x 12.5in)
Outdoor Units				
HSG9483/20	Htr, SS	24VAC/30W	24VAC	81 W x 89 H x 262 L mm (3.2 x 3.5 x 10.3in)
HSG9483/21	Htr, Blr, SS	24VAC/35W	24VAC	81 W x 89 H x 262 L mm (3.2 x 3.5 x 10.3in)
HSG9483/22 ³	Htr, Blr, SS	24VAC/35W	24VAC	81 W x 89 H x 262 L mm (3.2 x 3.5 x 10.3in)
HSG9483/50	Htr, SS	230VAC/30W	230VAC	81 W x 89 H x 262 L mm (3.2 x 3.5 x 10.3in)
HSG9483/51	Htr, Blr, SS	230VAC/35W	230VAC	81 W x 89 H x 262 L mm (3.2 x 3.5 x 10.3in)
HSG9483/52 ³	Htr, SS	230VAC/30W	230VAC	81 W x 89 H x 262 L mm (3.2 x 3.5 x 10.3in)
HSG9483/53 ³	Htr, Blr, SS	230VAC/30W	230VAC	81 W x 89 H x 262 L mm (3.2 x 3.5 x 10.3in)
HSG9483/61	Htr, Blr, SS	115VAC/35W	115VAC	81 W x 89 H x 262 L mm (3.2 x 3.5 x 10.3in)

Key to Installed Accessory: Htr = Heater; Blr = Blower; SS = Sunshield

Notes:

¹ Heaters and blowers for all models operate at 50/60Hz.

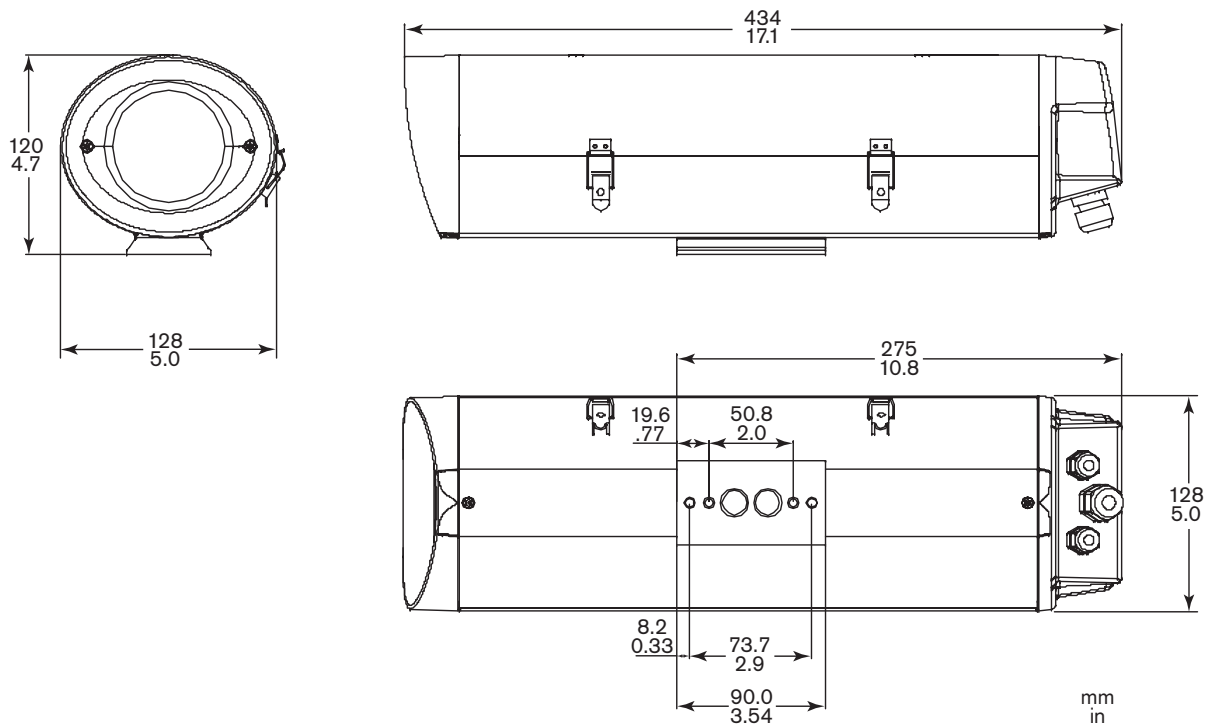
² With heater and blower, if applicable.

³ These models have a 4-pin connector and a BNC connector in lieu of feed-through fittings.

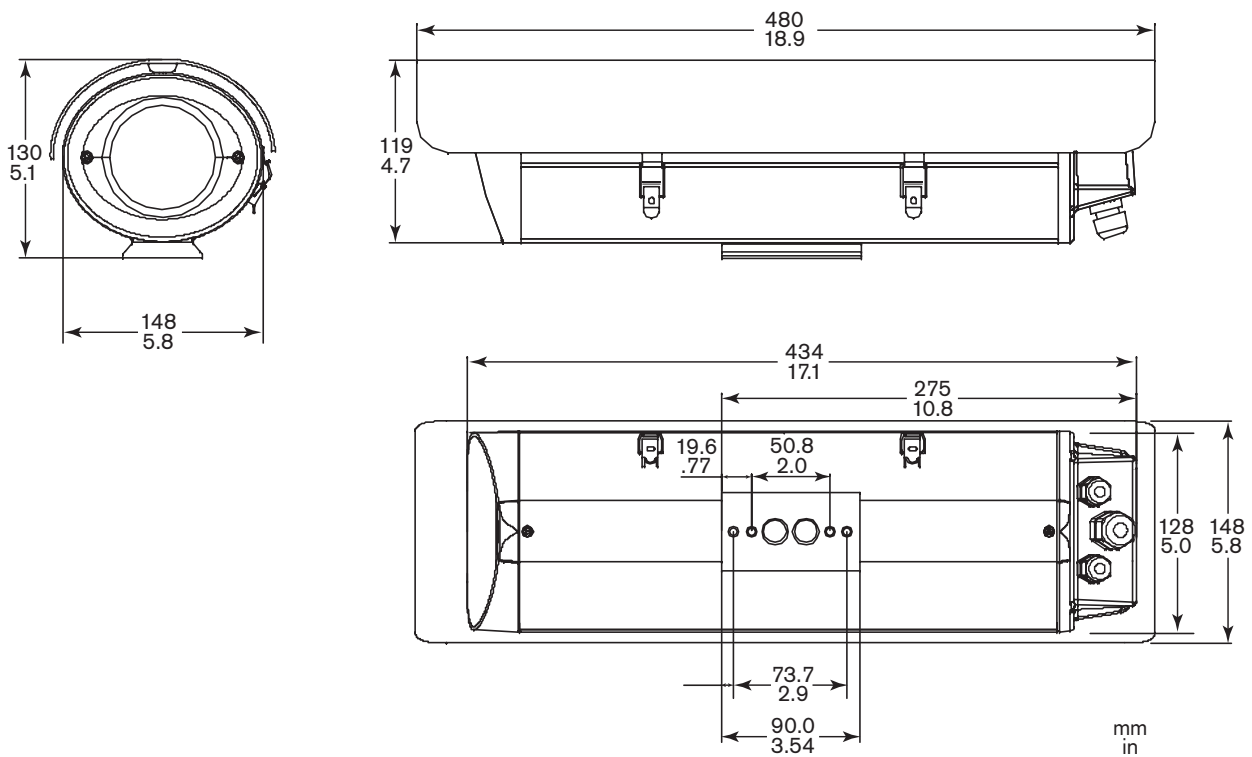
Electrical/Mechanical	
Fittings & Connectors	
HSG9483/00, /20, /21, /50, /51, /61	Three (3) liquid-tight rear fittings, two (2) of which accept cable diameters from 4.0mm to 7.0mm (0.16in to 0.28in); one (1) that accepts cable diameters from 6.5mm to 10.5mm (0.26in to 0.42in)
	Two (2) bottom feed-through liquid-tight fittings accept cable diameters from 4.0mm to 7.0mm (0.16in to 0.28in)
HSG9483/22, /52, /53	Rear-mounted 4-pin connector for power, with mating connector Rear-mounted BNC connector for video
Window	3mm (0.12in) thick UV-stabilized polycarbonate
Housing Mounting	Four (4) available 1/4-20 tapped holes; One pair of holes on 50.8mm (2.0in) centers, second pair on 73.7mm (2.9in) centers Only one set of two is required for mounting
Camera Mounting	Removable camera/lens tray, mounted with two screws
Construction	Aluminum housing casing, neoprene gaskets, UV-resistant polymer endcaps, and all stainless steel hardware
Tamper-resistance	Tamper-resistant screws for locking clasps are provided

Finish	Gray
Dimensions	See drawings
Weight	
HSG9483/00	2.0kg (4.3lb)
HSG9483/20, /50, /52	2.8kg (6.1lb)
HSG9483/21, /22, /51, /53, /61	2.9kg (6.4lb)
Environmental	
Operating Temperature	With heater/blower accessories installed: With fixed lens: at an external temperature of -40°C to +50°C (-40°F to +122°F), the housing will maintain the internal temperature between -20°C and 55°C (-4°F to +131°F). With zoom lens: at an external temperature of -30°C to +50°C (-22°F to +122°F), the housing will maintain the internal temperature between -10°C and 55°C (+14°F to +131°F).
Enclosure Protection	IP66, designed to meet NEMA-4
Product Regulatory Compliance	
Product Safety	Complies with CE regulations, UL, CSA, EN, and IEC Standards
Accessories	
Mounts	
LTC 9215/00 Mount	Feed-through wall-mount attaches to the foot of the housing
LTC 9219/01 Mount	Feed-through J-mount for ceiling mount

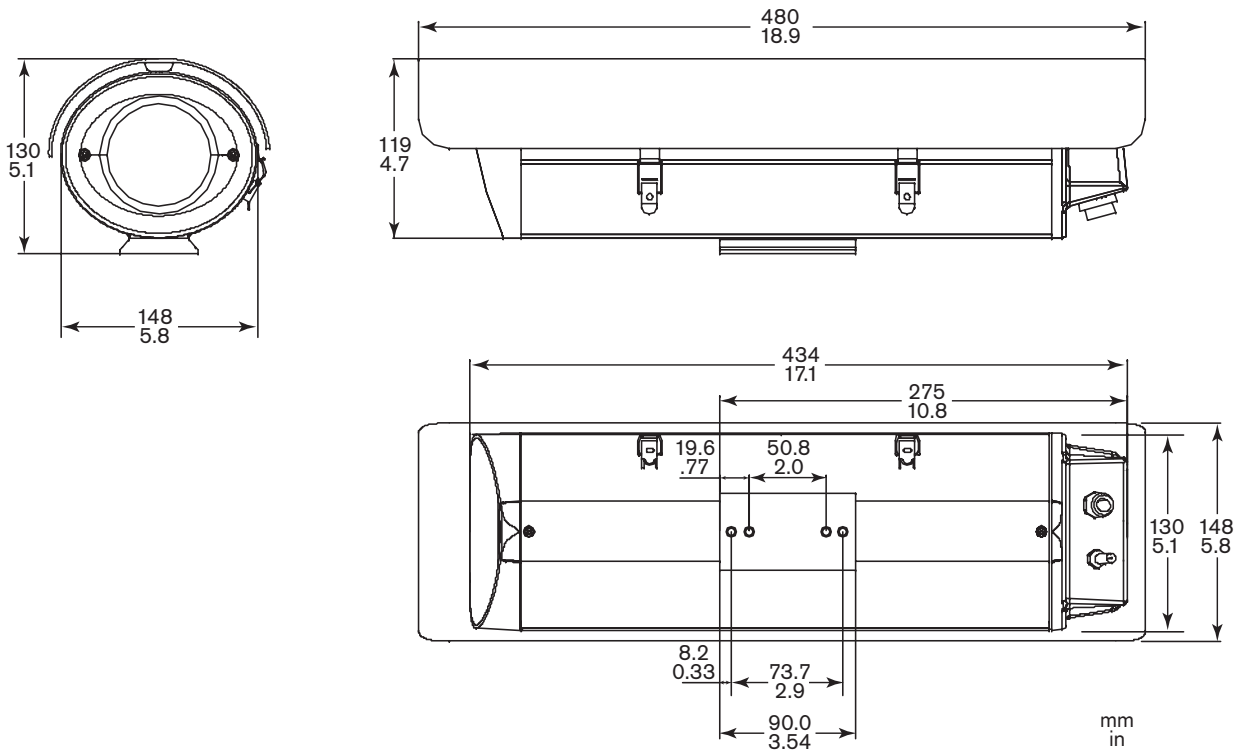
HSG9483/00



HSG9483/20, /21, /50, /51, /61

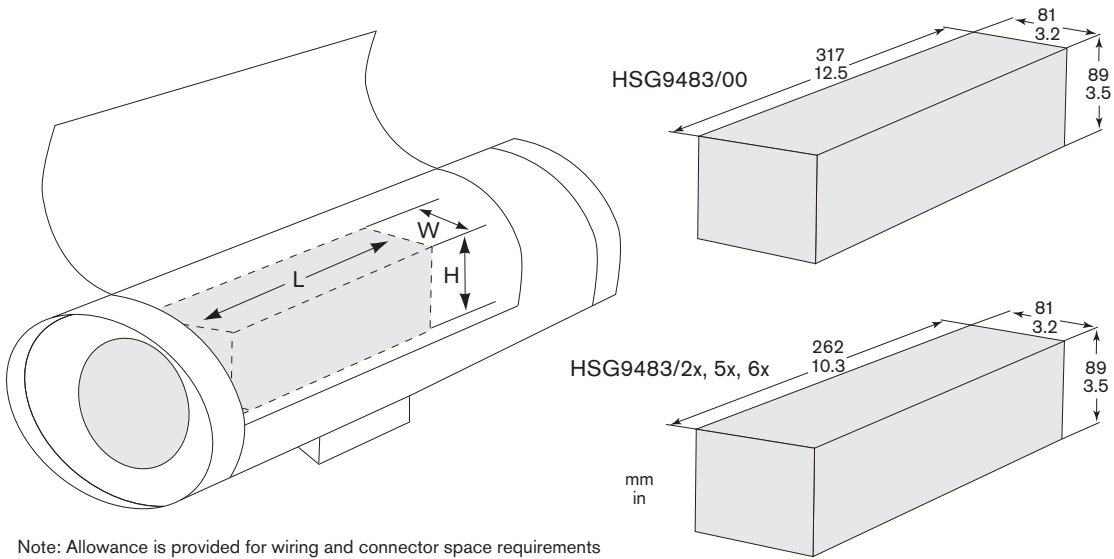


HSG9483/22, HSG9483/52, HSG9483/53



All Models

Maximum Internal usable space available (based on camera/lens size)



Note: Allowance is provided for wiring and connector space requirements

Bosch Security Systems, Inc.
 850 Greenfield Road
 Lancaster, PA 17601 USA
 Tel: 800-326-3270
 Fax: 717-735-6560
 www.boschsecuritysystems.com

