

# DINION IP thermal 8000

www.boschsecurity.com



**BOSCH**  
Invented for life



- ▶ Integrated Intelligent Video Analytics
- ▶ 640 x 480 resolution version available for even sharper images
- ▶ High access security for data protection
- ▶ High sensitivity LWIR (Long wave infrared) sensor module with variant lens options

This thermal IP camera provides high-sensitivity thermal images using an un-cooled vanadium oxide microbolometer that delivers outstanding image quality. The camera is designed to combine the benefits of thermal imaging with the market leading Intelligent Video Analytics from Bosch. There is no need for natural or artificial lighting of the area of interest. The camera produces crisp and clear images day and night, even in challenging environments with smoke, dust, haze or fog.

### Versions

The camera comes with a choice of narrow field-of-view (NFOV) or wide field-of-view (WFOV) lenses. The QVGA resolution variant is available with a frame rate of 9 or 60 fps; the VGA resolution variant is available with a frame rate of 9 or 30 fps.

The camera is enclosed in a robust outdoor housing making it ideal for a wide range of applications in demanding environments.

### Functions

#### Intelligent Video Analytics

The integrated video analytics is both robust and intelligent. The Intelligence-at-the-Edge concept now delivers even more powerful features:

- Simple calibration
- False alarm reduction
- Extended range identification

The mission critical video analytics reliably detects, tracks, and analyzes objects, and alerts you when predefined alarms are triggered. A smart set of alarm rules, together with object filters and tracking modes, makes complex tasks easy.

The system is also extremely robust and is able to reduce false alarms, for example from foliage or shaking objects, even in harsh weather conditions. Metadata is attached to your video to add sense and structure. This enables you to quickly retrieve the relevant images from hours of stored video. Metadata can also be used to deliver irrefutable forensic evidence or to optimize business processes based on people counting or crowd density information. Calibration is quick and easy – just enter the height of the camera. The internal gyro/accelerometer sensor provides the rest of the information to precisely calibrate the video analytics.

#### Bitrate optimized profile

The table that follows shows the average typical optimized bitrate, in kbits/s, for different frame rates:

IPS	VGA	QVGA
60	-	360
30	850	196
15	510	125

IPS	VGA	QVGA
9	250	91
3	105	52

### Multiple streams

The innovative multi-streaming feature delivers various H.264 streams together with an M-JPEG stream. These streams facilitate bandwidth-efficient viewing and recording as well as integration with third-party video management systems.

The camera can run multiple independent streams that allows to set a different resolution and frame rate on the first and second stream. The user can also choose to use a copy of the first stream.

The third stream uses the I-frames of the first stream for recording; the fourth stream shows a JPEG image at a maximum of 10 Mbit/s.

### Storage management

Recording management can be controlled by the Bosch Video Recording Manager (Video Recording Manager) or the camera can use iSCSI targets directly without any recording software.

### Edge recording

Insert a memory card into the card slot to store up to 2 TB of local alarm recording. Pre-alarm recording in RAM reduces recording bandwidth on the network, and extends the effective life of the memory card.

### Hybrid operation

A surge-protected analog video output allows full hybrid operation. This means that high resolution IP video streaming and an analog video output are available simultaneously. The hybrid functionality offers an easy migration path from legacy CCTV to a modern IP-based system.

### Data security

Special measures have been put in place to ensure the highest level of security for device access and data transport. The three-level password protection with security recommendations allows users to customize device access. Web browser access can be protected using HTTPS and firmware updates can also be protected with authenticated secure uploads. The on-board Trusted Platform Module (TPM) and Public Key Infrastructure (PKI) support, guarantee superior protection from malicious attacks. The 802.1x network authentication with EAP/TLS, supports TLS 1.2 with updated cipher suites including AES 256 encryption.

The advanced certificate handling offers:

- Self-signed unique certificates automatically created when required
- Client and server certificates for authentication
- Client certificates for proof of authenticity
- Certificates with encrypted private keys

### Complete viewing software

There are many ways to access the camera's features: using a web browser, with the Bosch Video Management System, with the free-of-charge Bosch Video Client or Video Security Client, with the video security mobile app, or via third-party software.

### System integration

The camera conforms to the ONVIF Profile S specifications. Compliance with these standards guarantees interoperability between network video products regardless of manufacturer.

Third-party integrators can easily access the internal feature set of the camera for integration into large projects. Visit the Bosch Integration Partner Program (IPP) website ([ipp.boschsecurity.com](http://ipp.boschsecurity.com)) for more information.

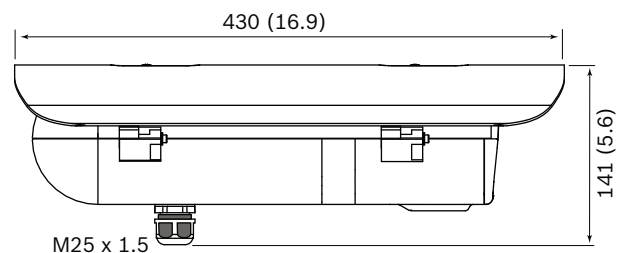
### Certifications and approvals

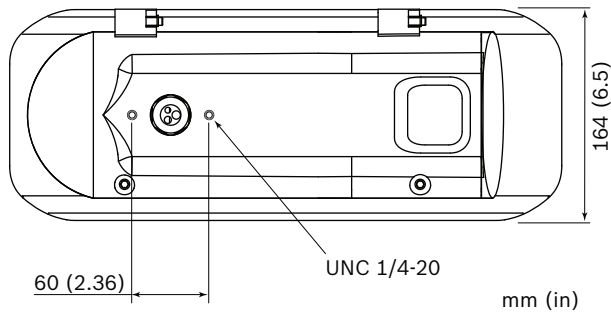
Standards	Type
Emission	EN 55032: 2012 /AC: 2013 class B FCC: 47 CFR Part 15 B, class B RCM: AS/NZS CISPR 22: 2009 /A1: 2010 VCCI: V2 & V3 /2015.04
Immunity	EN 50130-4: 2011 /A1: 2014 EN 50121-4: 2016 /AC: 2008 EN 55024: 2010 /A1: 2015
Environmental	EN 50130-5:2011 Class IV, Salt mist 28 days passed
Safety	EN 60950-1: 2006 /A11: 2009 /A1: 2010 /A12: 2011 /A2: 2013 EN 60950-22: 2006 /A11: 2008 UL 60950-1, Ed. 2, October 14, 2014 CAN/CSA C22.2 No. 60950-1-07, Ed. 2, October 2014
Marks	cUL, CE, WEEE, RCM, EAC, VCCI, FCC, RoHS

Region	Regulatory compliance/quality marks	
Europe	CE	DINION IP thermal 8000
USA	UL	DINION IP thermal 8000

### Installation/configuration notes

#### Dimensions





### Technical specifications

#### Power

Input voltage	24 VAC (SELV) ±10% 50/60 Hz
Power consumption	34 W max.

#### Thermal module

Image sensor	Focal Plane Array (FPA), un-cooled vanadium oxide microbolometer
Picture elements	320(H) x 240(V) or 640(H) x 480(V)
Pixel pitch	17 µm
Thermal sensitivity	< 50 mK

#### Video resolution

QVGA	320 x 240 at 9 fps or 60 fps
VGA	640 x 480 at 9 fps or 30 fps

#### Video functions – color

Adjustable picture settings	Contrast
Thermal color mapping	12 selectable modes

#### Lenses FoV (H x V)

	QVGA	VGA
7.5 mm	41.8° x 30°	-
9 mm	-	70° x 52°
16.7 mm	-	37.5° x 28°
19 mm	16° x 12°	-
35 mm	-	17.6° x 13.2°
65 mm	-	9.6° x 7.2°

#### Video streaming

Video compression	H.264 (MP); M- JPEG
Streaming	Multiple configurable streams in H.264 and M-JPEG, configurable frame rate and bandwidth. Regions of Interest (ROI)

#### Video streaming

Camera processing latency	<55 ms
GOP structure	IP, IBP, IBBP

#### Camera installation

Analog output	Off, 4:3, 16:9 pillar box, 16:9 crop
Positioning	Coordinates / Mounting height

#### Video content analysis

Analysis type	Intelligent Video Analytics
Configurations	Silent VCA / Profile1/2 / Scheduled / Event triggered
Alarm rules (combinable)	Any object Object in field Line crossing Enter / leave field Loitering Follow route Counting Occupancy Condition change Similarity search Flow / counter flow
Object filters	Duration Size Aspect ratio Speed Direction Object classes (4)
Tracking modes	Standard (2D) tracking Ship tracking Museum mode
Calibration	Automatic based on gyro / accelerometer data and camera height

#### Additional functions

Video authentication	Off / Watermark / MD5 / SHA-1 / SHA-256
Display stamping	Name; Logo; Time; Alarm message
Pixel counter	Selectable area

#### Local storage

Internal RAM	5 s pre-alarm recording
Memory card slot	Supports up to 32 GB microSDHC / 2 TB microSDXC card. (A memory card of Class 6 or higher is recommended for HD recording)
Recording	Continuous recording, ring recording, alarm/ events/schedule recording

Input/output	
Analog video out	CVBS (NTSC), 1 Vpp, SMB, 75 Ohm (surge protected)
Audio connectors	3.5 mm stereo jack (x2)
Audio line in	12 kOhm typical, 1 Vrms max
Audio line out	1 Vrms at 1.5 kOhm typical,
Alarm input connectors	Clamp (x2 non-isolated closing contact)
Alarm input activation voltage	+5 VDC to +40 VDC (+3.3 VDC with DC-coupled 22 kOhm pull-up resistor)
Alarm output connector	Clamp
Alarm output voltage	30 VAC or +40 VDC Maximum 0.5 A continuous, 10VA
Ethernet	RJ45
Data port	RS-232/422/485

Audio streaming	
Standard	G.711, 8 kHz sampling rate L16, 16 kHz sampling rate AAC-LC, 48 kbps at 16 kHz sampling rate AAC-LC, 80 kbps at 16 kHz sampling rate
Signal-to-Noise Ratio	>50 dB
Audio Streaming	Full-duplex / half duplex

Software	
Unit discovery	IP Helper
Unit configuration	Via web browser or Configuration Manager
Firmware update	Remotely programmable
Software viewing	Web browser; Video Security Client; Video Security App; BVMS; Bosch Video Client; or third party software
Latest firmware and software	<a href="http://downloadstore.boschsecurity.com/">http://downloadstore.boschsecurity.com/</a>

Network	
Protocols	IPv4, IPv6, UDP, TCP, HTTP, HTTPS, RTP/RTCP, IGMP V2/V3, ICMP, ICMPv6, RTSP, FTP, Telnet, ARP, DHCP, APIPA (Auto-IP, link local address), NTP (SNTP), SNMP (V1, MIB-II), 802.1x, DNS, DNSv6, DDNS (DynDNS.org, selfHOST.de, no-ip.com),

Network	
	SMP, iSCSI, UPnP (SSDP), DiffServ (QoS), LLDP, SOAP, Dropbox, CHAP, digest authentication
Encryption	TLS 1.2, SSL
Ethernet	10/100 Base-T, auto-sensing, half/full duplex
Connectivity	Auto-MDIX
Interoperability	ONVIF Profile S; ONVIF Profile G; GB/T 28181

Mechanical	
Dimensions (H x W x L)	141 x 164 x 430 mm (5.6 x 6.5 x 16.9 in.) including sunshield
Weight	<3.5 kg (7.72 lb)
Construction	Aluminum casing, silicone gaskets
Color	RAL 9003 White
Window	Germanium glass (Ø52 x 3 mm)

Environmental	
Operating temperature	-40°C to +55°C (-40°F to +131°F) for continuous operation;
Storage temperature	-55°C to +70°C (-67°F to +158°F)
Operating Humidity	5% to 95% RH non-condensing
Storage Humidity	up to 98% RH
Ingress protection	IP66, NEMA-4X
Enclosure protection	Wind load 150 mph; NEMA TS2 vibration, shock

### Ordering information

#### **NHT-8000-F07QS DINION THERMAL, <9Hz, QVGA, 7.5mm**

Thermal imaging IP camera  
QVGA  
9 fps  
7.5 mm lens  
Order number **NHT-8000-F07QS**

#### **EWE-D8IT75-IW 12mths wrty ext DINION thermal 7,5mm**

12 months warranty extension  
Order number **EWE-D8IT75-IW**

#### **NHT-8000-F07QF DINION THERMAL, 60Hz, QVGA, 7.5mm**

Thermal imaging IP camera  
QVGA  
60 fps  
7.5 mm lens  
Order number **NHT-8000-F07QF**

#### **EWE-D8IT75-IW 12mths wrty ext DINION thermal 7,5mm**

12 months warranty extension  
Order number **EWE-D8IT75-IW**

#### **NHT-8000-F19QS DINION THERMAL, <9Hz, QVGA, 19mm**

Thermal imaging IP camera  
QVGA  
9 fps  
19 mm lens  
Order number **NHT-8000-F19QS**

#### **EWE-D8IT19-IW 12mths wrty ext DINION thermal 19 mm**

12 months warranty extension  
Order number **EWE-D8IT19-IW**

#### **NHT-8000-F19QF DINION THERMAL, 60Hz, QVGA, 19mm**

Thermal imaging IP camera  
QVGA  
60 fps  
19 mm lens  
Order number **NHT-8000-F19QF**

#### **EWE-D8IT19-IW 12mths wrty ext DINION thermal 19 mm**

12 months warranty extension  
Order number **EWE-D8IT19-IW**

#### **NHT-8001-F09VS DINION THERMAL, <9Hz, VGA,9mm**

Thermal imaging IP camera  
VGA  
9 fps  
9 mm lens  
Order number **NHT-8001-F09VS**

#### **EWE-D8IT09-IW 12mths wrty ext DINION thermal 9mm**

12 months warranty extension  
Order number **EWE-D8IT09-IW**

#### **NHT-8001-F09VF DINION THERMAL, 30Hz, VGA, 9mm**

Thermal imaging IP camera  
VGA  
30 fps  
9 mm lens  
Order number **NHT-8001-F09VF**

#### **EWE-D8IT09-IW 12mths wrty ext DINION thermal 9mm**

12 months warranty extension  
Order number **EWE-D8IT09-IW**

#### **NHT-8001-F17VS DINION THERMAL, <9Hz, VGA, 16.7mm**

Thermal imaging IP camera  
VGA  
9 fps  
16.7 mm lens  
Order number **NHT-8001-F17VS**

#### **EWE-D8IT16-IW 12mths wrty ext DINION thermal 16,7 mm**

12 months warranty extension  
Order number **EWE-D8IT16-IW**

#### **NHT-8001-F17VF DINION THERMAL, 30Hz, VGA, 16.7mm**

Thermal imaging IP camera  
VGA  
30 fps  
16.7 mm lens  
Order number **NHT-8001-F17VF**

#### **EWE-D8IT16-IW 12mths wrty ext DINION thermal 16,7 mm**

12 months warranty extension  
Order number **EWE-D8IT16-IW**

#### **NHT-8001-F35VS DINION THERMAL, <9Hz, VGA, 35mm**

Thermal imaging IP camera  
VGA  
9 fps  
35 mm lens  
Order number **NHT-8001-F35VS**

#### **EWE-D8IT35-IW 12mths wrty ext DINION thermal 35 mm**

12 months warranty extension  
Order number **EWE-D8IT35-IW**

#### **NHT-8001-F35VF DINION THERMAL , 30Hz, VGA, 35mm**

Thermal imaging IP camera  
VGA  
30 fps  
35 mm lens  
Order number **NHT-8001-F35VF**

**EWE-D8IT35-IW 12mths wrty ext DINION thermal 35 mm**

12 months warranty extension  
Order number **EWE-D8IT35-IW**

**NHT-8001-F65VS DINION THERMAL, <9Hz, VGA, 65mm**

Thermal imaging IP camera  
VGA  
9 fps  
65 mm lens  
Order number **NHT-8001-F65VS**

**EWE-D8IT65-IW 12mths wrty ext DINION thermal 65 mm**

12 months warranty extension  
Order number **EWE-D8IT65-IW**

**NHT-8001-F65VF DINION THERMAL, 30Hz, VGA, 65mm**

Thermal imaging IP camera  
VGA

30 fps  
65 mm lens  
Order number **NHT-8001-F65VF**

**EWE-D8IT65-IW 12mths wrty ext DINION thermal 65 mm**

12 months warranty extension  
Order number **EWE-D8IT65-IW**

**Accessories**

**NHA-U-WMT Bracket housing for DINION thermal 8000**

Universal Wall Mount Bracket  
Order number **NHA-U-WMT**

**NDA-U-PMAL Pole mount adapter large**

Universal pole mount adapter, white; large  
Order number **NDA-U-PMAL**

**NDA-U-CMT Corner mount adapter**

Universal corner mount, white  
Order number **NDA-U-CMT**

**Represented by:**

**Europe, Middle East, Africa:**  
Bosch Security Systems B.V.  
P.O. Box 80002  
5600 JB Eindhoven, The Netherlands  
Phone: + 31 40 2577 284  
emea.securitysystems@bosch.com  
emea.boschsecurity.com

**Germany:**  
Bosch Sicherheitssysteme GmbH  
Robert-Bosch-Ring 5  
85630 Grasbrunn  
Germany  
www.boschsecurity.com

**North America:**  
Bosch Security Systems, LLC  
130 Perinton Parkway  
Fairport, New York, 14450, USA  
Phone: +1 800 289 0096  
Fax: +1 585 223 9180  
onlinehelp@us.bosch.com  
www.boschsecurity.us

**Asia-Pacific:**  
Robert Bosch (SEA) Pte Ltd, Security Systems  
11 Bishan Street 21  
Singapore 573943  
Phone: +65 6571 2808  
Fax: +65 6571 2699  
apr.securitysystems@bosch.com  
www.boschsecurity.asia