


**BOSCH**

Invented for life

# NBC-255-P and NBC-225-P IP Camera 200 Series



- ▶ **Complete network video surveillance system inside a compact camera**
- ▶ **Progressive scan for sharp images of moving objects**
- ▶ **Tri-streaming: Dual H.264 and M-JPEG simultaneously**
- ▶ **ONVIF compliant**
- ▶ **Removable SD/SDHC card offers days of storage inside camera**
- ▶ **PC surveillance software supports multiple camera monitoring**
- ▶ **Two-way audio and audio alarm**
- ▶ **Power over Ethernet (IEEE 802.3af compliant)**

The Bosch NBC-255-P and NBC-225-P IP cameras are ready-to-use, complete network video surveillance systems inside a compact camera. These cameras bring Bosch's high-performance technology into the realm of small office and retail businesses by offering a cost-effective solution for a broad range of applications.

To use the camera as a stand-alone video surveillance system, simply take it out of the box and install it; it operates straight away, no additional equipment is required.

For medium-to-large-scale or growing systems, the camera easily integrates with the Bosch Divar 700 Series recorder. It uses H.264 compression technology to give clear images while reducing bandwidth and storage by up to 30%.

## Functions

### Best-in-class image performance

The Bosch NBC-255-P and NBC-225-P IP cameras deliver the clearest images and most accurate colors within its class. Progressive scan ensures moving objects are always sharp.

### Tri-streaming video

Tri-streaming allows a data stream to be encoded simultaneously according to three different, individually customized settings. Two types of streams can serve different purposes. For example, use H.264 stream for local recording and viewing, and the M-JPEG stream to provide compatibility with legacy DVRs.

### Efficient recording

A removable SD/SDHC card offers edge recording inside the camera. This SD card not only saves network bandwidth but also reduces the requirement for a high-capacity hard disk or DVR. When used with an SD card, the camera is a complete, self-contained surveillance system without the need for additional equipment.

The camera can also be used with an iSCSI server connected via the network to store long-term recordings.

### 16-channel PC surveillance software

The bundled PC surveillance software offers a user-friendly interface to support easy installation and configuration. A wizard allows the configuration of multiple cameras simultaneously using an auto detection device. Multiple cameras can be monitored in one screen and video clips on the SD card can be archived and searched in a single application.

**ONVIF 1.0 compliant**

The latest Open Network Video Interface Forum (ONVIF) standard ensures compatibility with other surveillance products. This will contribute to a reduction in future upgrade or migration costs.

**Two-way audio and audio alarm**

Two-way audio allows remote users to listen in on an area and communicate messages to visitors or intruders via an external loudspeaker (not included). Audio detection can be used to generate an alarm, if needed.

**Tamper and motion detection**

A wide range of configuration options is available for alarms signaling camera tampering. A built-in algorithm for detecting movement in the video can also be used for alarm signaling.

**Power-over-Ethernet**

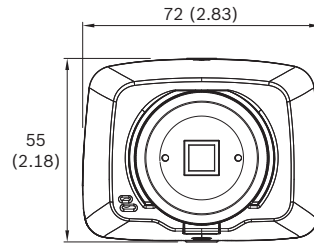
Power for the camera can be supplied via a Power-over-Ethernet (IEEE 802.3af) compliant network cable connection. With this configuration, only a single cable connection is required to view, power, and control the camera.

**Certifications and Approvals**

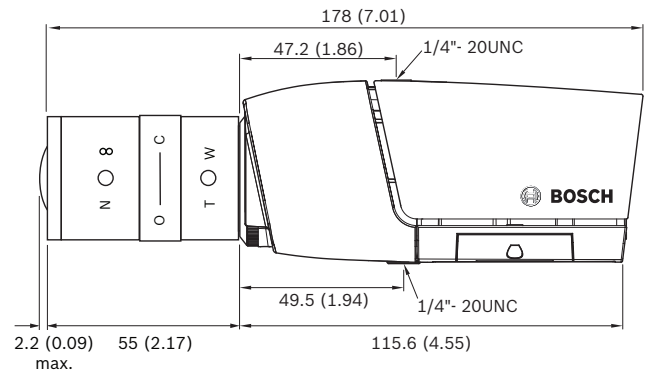
Safety	EU: EN 60950-1: 2006, Reference IEC 60950-1:2005
	US: UL 60950-1: 1st edition dated October 31, 2007
	Canada: CAN/CSA-C22.2 NO. 60950-1-03
EMC	EN 50130-4:1995 + A1:1998 + A2:2003
	FCC Part15 Subpart B, Class B
	EMC directive 2004/108/EC
	EN 55022 class B
	EN 61000-3-2 :2006
	EN 61000-3-3 : 1995+A1 :2001+A2 :2005
	EN 55024
Product Certifications	AS/NZS CISPR 22 (equal to CISPR 22)
	ICES-003 Class B
	EN 50121-4:2006
	CE, FCC, UL, cUL, C-tick, CB, VCCI, KCC
Power supply	CE, UL, cUL, PSE, CCC

**Installation/Configuration Notes**

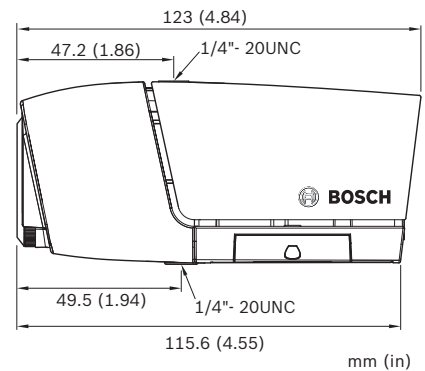
**Dimensions**



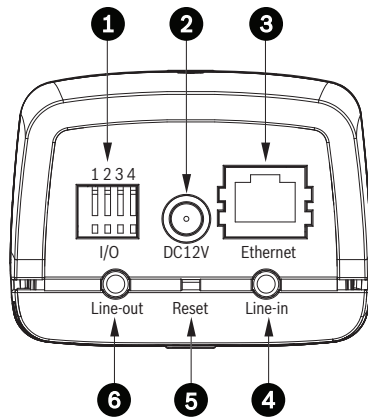
**NBC-255-P**



**NBC-225-P**



## Connections



1	I/O
2	Power 12 VDC
3	Ethernet RJ45
4	Audio Line-in
5	Reset
6	Audio Line-out

## Parts Included

Quantity	Component
1	NBC-225-P or NBC-255_P IP camera with integrated lens
1	Quick Installation Guide
1	CD ROM with BVIP Lite Suite and documentation
1	Camera mount kit
1	SD card (warranty provided by card manufacturer)
1	Universal power supply with US, EU and UK plug

## Technical Specifications

### Power

Input voltage	+12 VDC or Power-over-Ethernet
Power consumption	3.36 W (max)

### Video

Sensor type	¼-inch CMOS
Sensor pixels	640 x 480
Sensitivity	1.0 lx
Video resolution	VGA, QVGA
Video compression	H.264 MP (Main Profile); H.264 BP+ (Baseline Profile Plus); M-JPEG
Frame rate	30/25 fps: all resolutions

### Lens

Lens type	NBC-255-P: Varifocal 2.8 to 10 mm, F1.4 to close NBC-225-P: Fixed 4.9 mm, F2.8
Lens mount	NBC-255-P: CS mount NBC-225-P: Board mounted

### Connection

Alarm input	+9 to 30 VDC
Relay out	24 VAC/VDC, 1 A

### Audio

Audio input	Built-in microphone Line in jack connector
Audio output	Line out jack connector
Audio communication	Two-way, full duplex
Audio compression	G.711

### Local Storage

Memory card slot	Supports up to 32 GB SD/SDHC card
Recording	Continuous recording, ring recording, alarm/events/schedule recording

### Software Control

Unit configuration	Via web browser or PC surveillance software
--------------------	---

### Network

Protocols	HTTP, HTTPS, SSL, TCP, UDP, ICMP, RTSP, RTP, RTCP, IGMPv2/v3, SMTP, FTP, DHCP client, ARP, DNS, DDNS, NTP, SNMP, UPnP
Ethernet	10/100 Base-T, auto-sensing, half/full duplex, RJ45
PoE	IEEE 802.3af compliant

### Mechanical

Dimensions with lens (H x W x D)	NBC-255-P: 55 x 72 x 178 mm (2.17 x 2.83 x 7.01 in.) NBC-225-P: 55 x 72 x 123 mm (2.18 x 2.83 x 4.84 in.)
Weight (with lens)	NBC-255-P: approx. 245 g (0.54 lb) NBC-225-P: approx. 177 g (0.39 lb)
Mounting	¼-inch mounting socket on top and bottom

### Environmental

Operating temperature Camera	0 °C to +50 °C (+32 °F to +122 °F)
Operating temperature Universal Power Supply Unit	0 °C to +40 °C (+32 °F to +104 °F)
Storage temperature	-20 °C to +70 °C (-4 °F to +158 °F)
Humidity	10% to 80% relative humidity (non condensing)

**Ordering Information**

<b>NBC-255-P IP Camera</b>	<b>NBC-255-P</b>
IP Camera System including varifocal lens, mount and power supply	

<b>NBC-225-P IP Camera</b>	<b>NBC-225-P</b>
IP Camera System including fixed lens, mount and power supply	

**Accessories**

<b>LTC 9348/00 Series Indoor Dome Housings</b>	<b>LTC9348/00</b>
for cameras/lens to 216 mm (8.5 in), ceiling mount, tinted, metal backbox	

<b>UHI-SBG-0 Series Indoor Housing</b>	<b>UHI-SBG-0</b>
For camera/lens lengths up to 210 mm (8.2 in.)	

<b>UHI-ASBG-0 Series Indoor Housing</b>	<b>UHI-ASBG-0</b>
For camera/lens lengths up to 210 mm (8.2 in.) for APR only	

**Software Options**

<b>MVC-FAPEX</b>	<b>MVC-FAPEX</b>
Archive Player Exporter license	

**Americas:**  
 Bosch Security Systems, Inc.  
 130 Perinton Parkway  
 Fairport, New York, 14450, USA  
 Phone: +1 800 289 0096  
 Fax: +1 585 223 9180  
 security.sales@us.bosch.com  
 www.boschsecurity.us

**Europe, Middle East, Africa:**  
 Bosch Security Systems B.V.  
 P.O. Box 80002  
 5600 JB Eindhoven, The Netherlands  
 Phone: +31 40 2577 284  
 Fax: +31 40 2577 330  
 emea.securitysystems@bosch.com  
 www.boschsecurity.com

**Asia-Pacific:**  
 Robert Bosch (SEA) Pte Ltd, Security Systems  
 11 Bishan Street 21  
 Singapore 573943  
 Phone: +65 6571 2600  
 Fax: +65 6571 2698  
 apr.securitysystems@bosch.com  
 www.boschsecurity.com

**Represented by**