

MBE Series Camera Brackets and Mounts

www.boschsecurity.com



BOSCH
Invented for life



- ▶ Heavy-duty aluminum construction
- ▶ Semi-gloss polyester powder-coat finish
- ▶ Suitable for wall or pole applications
- ▶ Adapter plates feature versatile hole patterns for attaching a host different brackets

The MBE series of bracket mounts and mounting adapters secure an EX27 All-Weather Camera or the REG-D1 or the REG-L1 License Plate Camera to a wall or to a pole along with an EXMB.020B Heavy Duty L Bracket for mounting illuminators. Each bracket and adapter is made of rugged, aluminum and features a semi-gloss polyester powder coat finish.

MBE Series Mounting Brackets

Each MBE mounting bracket can be secured directly to a wall. For added strength and mounting flexibility, the mounting brackets can be used with the MBE-15 or MBE-17 adapter plates.

MBE Series Adapter Plates

The MBE adapter plates provide a versatile platform to mount the MBE mounting brackets along with an EXMB.020B Heavy Duty L Bracket. Thick aluminum plate construction is powder coated black.

MBE-15B / MBE-15W: a black or white adapter used to attach an MBE-27 or MBE-28, along with an EXMB.020B Heavy Duty L Bracket, to a pole. Two metal bands and two quick-release/engage gear clamps are provided for poles up to 203 mm (8 in) in diameter. Additional bands can be used for installations on larger poles.

This adapter can also accommodate the EXMB.028 Cable Managed Wall Bracket or the EXMB.023 Wall Bracket.

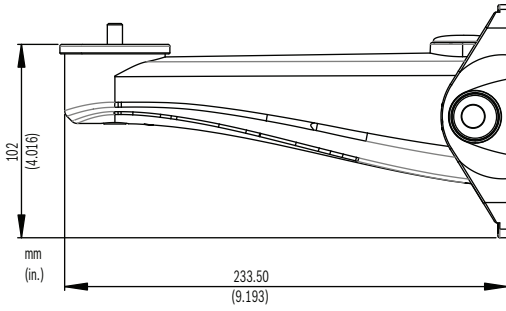
MBE-17B / MBE-17W: a black or white adapter used to attach an MBE-27 or an MBE-28, along with an EXMB.020B Heavy Duty L-Bracket, to a wall. This adapter can also accommodate the EXMB.028 Cable Managed Wall Bracket or the EXMB.023 Wall Bracket.

Functions

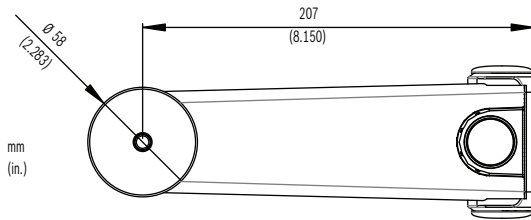
MBE-27B / MBE-27W: a black or white mounting bracket for use with an EX27 Series All-Weather Camera.

MBE-28B: a black mounting bracket for use with the REG-D1 or the REG-L1 License Plate Camera.

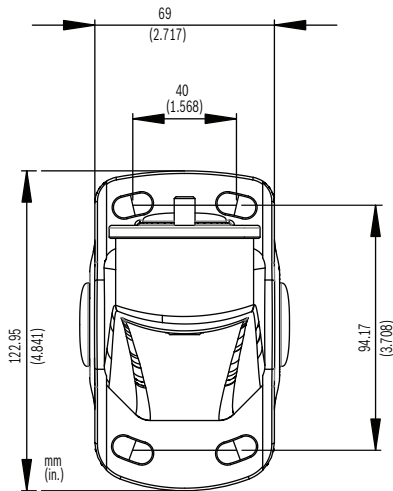
Installation/configuration notes



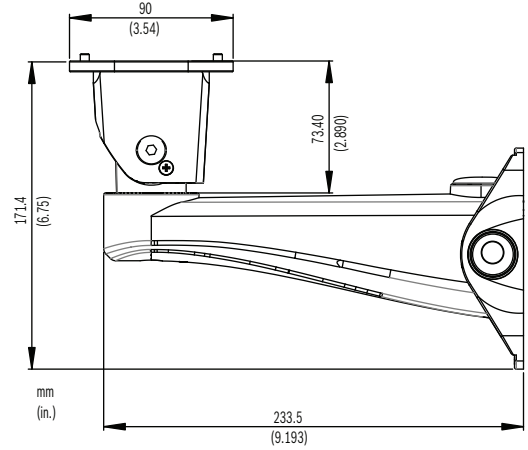
MBE-27B / MBE-27W, side view



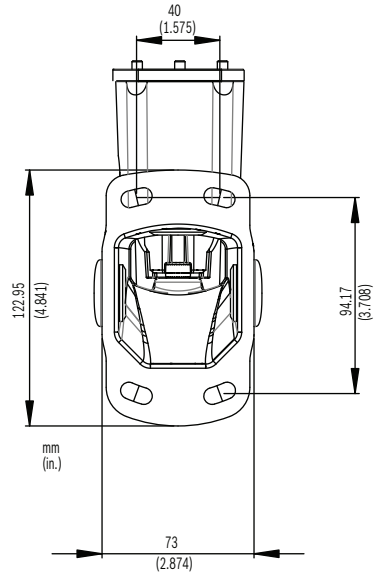
MBE-27B / MBE-27W, top view



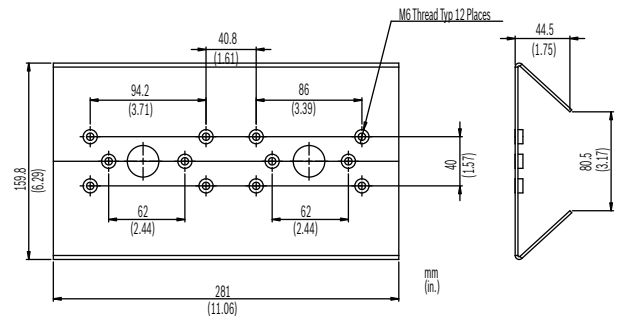
MBE-27B / MBE-27W, rear view



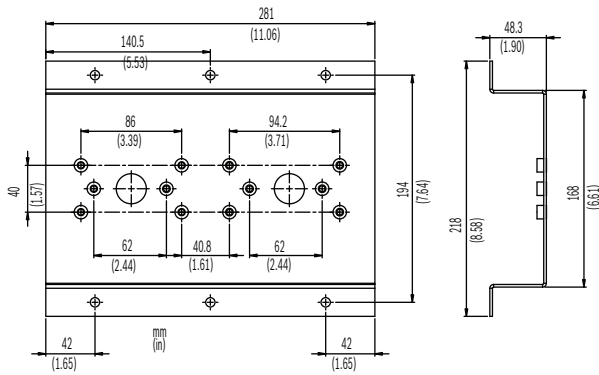
MBE-28B, side view



MBE-28B, rear view



MBE-15B / MBE-15W



MBE-17B / MBE-17W

Technical specifications

Weight	0.4 kg (1.0 lb)
Maximum Load	25 kg (55 lb)
Dimension (W x H x L)	69 x 122.95 x 233.5 mm (2.72 x 4.84 x 9.19 in.)
Color	MBE-27B: Black (RAL 9005) MBE-27W: White (RAL 9010)
Finish	Semi-gloss polyester powder coat
Weight	0.4 kg (1.0 lb)
Maximum Load	25 kg (55 lb)
Dimension (W x H x L)	73 x 170.9 x 233.5 mm (2.87 x 6.73 x 9.19 in.)
Color	Black (RAL 9005)
Finish	Semi-gloss polyester powder coat
Weight	0.75 kg (1.66 lb)
Maximum Load	90 kg (200 lb)
Maximum Pole Diameter	203 mm (8 in.)
Minimum Pole Diameter	89 mm (3.5 in.)
Dimension (W x H x L)	44.5 x 159.8 x 281 mm (1.75 x 6.29 x 11.06 in.)
Color	MBE-15B: Black (RAL 9005)

Finish	MBE-15W: White (RAL 9010)
Finish	Semi-gloss polyester powder coat
Weight	0.89 kg (1.97 lb)
Maximum Load	45 kg (100 lb)
Dimension (W x H x L)	48.3 x 194 x 281 mm (1.9 x 7.64 x 11.06 in.)
Color	MBE-17B: Black (RAL 9005) MBE-17W: White (RAL 9010)
Finish	Semi-gloss polyester powder coat

Ordering information

MBE-15W POLE MOUNT ADAPTER WHITE

White adapter plate used to attach a DINION capture 5000/7000, an MBE-27, or an MBE-28 to a pole (also compatible with an EXMB.020B Heavy Duty L Bracket) Order number **MBE-15W**

MBE-15B POLE MOUNT ADAPTER BLACK

Black adapter plate used to attach an MBE-27 or MBE-28 along with an EXMB.020B Heavy Duty L Bracket to a pole.

Order number **MBE-15B**

MBE-17W WALL MOUNT ADAPTER WHITE

White adapter plate used to attach a DINION capture 5000/7000, an MBE-27, or an MBE-28 to a wall (also compatible with an EXMB.020B Heavy Duty L Bracket) Order number **MBE-17W**

MBE-17B WALL MOUNT ADAPTER BLACK

Black adapter plate used to attach an MBE-27 or MBE-28 along with an EXMB.020B Heavy Duty L Bracket to a wall.

Order number **MBE-17B**

MBE-27W WALL MOUNT BRACKET FOR EX27 WHITE

White mounting bracket for use with an EX27 Series All-Weather Camera

Order number **MBE-27W**

MBE-27B WALL MOUNT BRACKET FOR EX27 BLACK

Black mounting bracket for use with an EX27 Series All-Weather Camera

Order number **MBE-27B**

MBE-28B WALL MOUNT BRACKET FOR REG L1/D1

Black mounting bracket for use with the REG-D1 or the REG-L1 License Plate Camera

Order number **MBE-28B**

Represented by:

Europe, Middle East, Africa:
Bosch Security Systems B.V.
P.O. Box 80002
5600 JB Eindhoven, The Netherlands
Phone: + 31 40 2577 284
emea.securitysystems@bosch.com
emea.boschsecurity.com

Germany:
Bosch Sicherheitssysteme GmbH
Robert-Bosch-Ring 5
85630 Grasbrunn
Germany
www.boschsecurity.com

North America:
Bosch Security Systems, Inc.
130 Perinton Parkway
Fairport, New York, 14450, USA
Phone: +1 800 289 0096
Fax: +1 585 223 9180
onlinehelp@us.bosch.com
www.boschsecurity.us

Asia-Pacific:
Robert Bosch (SEA) Pte Ltd, Security Systems
11 Bishan Street 21
Singapore 573943
Phone: +65 6571 2808
Fax: +65 6571 2699
apr.securitysystems@bosch.com
www.boschsecurity.asia