


BOSCH

Invented for life

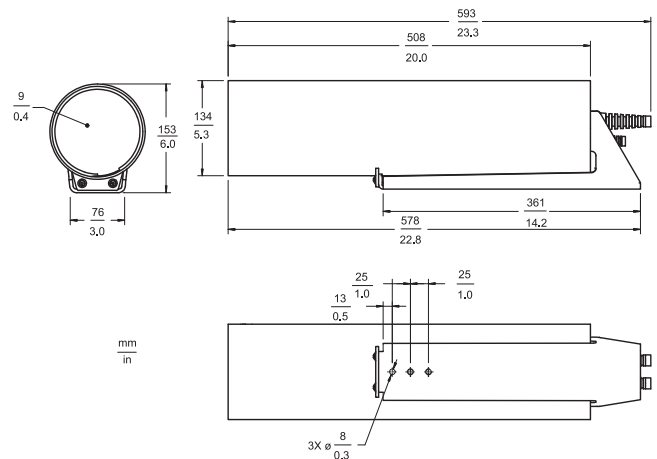
LTC 9385 Series Housings Outdoor



- ▶ For 1/3-inch, 1/2-inch, or 2/3-inch format CCD cameras
- ▶ All aluminum construction
- ▶ Easy installation
- ▶ Removable cover
- ▶ Built-in window heater/defogger
- ▶ Accessories available

The LTC 9385 Series of medium-sized environmental housings are attractive aluminum enclosures designed for outdoor CCD camera installations. These housings are constructed of an extruded aluminum cover and a fabricated aluminum frame. The unique design allows adjustments to be made to the camera in its mounted position, once the cover is removed. The cover contains a polycarbonate window that is UV stabilized. An internally mounted thermostatically controlled heater is standard. The heater design minimizes fogging of the window in high humidity areas, or freezing under cold temperature conditions. The rear of the housing contains three liquid-tight fittings which permit pass-through of video coax, AC power, and lens control wiring. The housing is sealed with O-rings. The mounting base assembly permits mounting to pan/tilts, adjustable heads, and various wall-mounts. A unique feature of this housing is an internal rail assembly that rotates independently of the mounting base assembly, and allows the camera to be mounted at any angle.

Installation/Configuration Notes



Dimensional Outline LTC 9385 Series

Parts Included

Quantity	Component
1	LTC 9385 Series Outdoor Housings

Technical Specifications

Electrical

Model No.	Rated Input	Voltage Range	Nominal Power ¹⁾
LTC 9385/60	115 VAC 50/60 Hz	108 to 132 VAC	50 W
LTC 9385/20	24 VAC 50/60 Hz	21.6 to 26.4 VAC	50 W
LTC 9385/50	230 VAC 50/60 Hz	207 to 253 VAC	50 W

Electrical Connections Three position terminal block for supply line power. LTC 9385/60 and LTC 9385/50 models have inline receptacles for camera power connections.

Heater-Defogger Standard 40 Watt thermostatically controlled heater/defogger

1) Heater requires 40 watts.

Mechanical

Maximum Camera/Lens Size Accepts cameras up to 102 W x 71 H mm (4.0 x 2.8 in), lenses up to 102 W x 92 H mm (4.0 x 3.6 in), and camera/lens combinations up to 345 Lmm (13.6 in.).

Cable Entry Two (2), 1/2-in NPT and one (1) 3/8-in NPT tapped holes. Three (3) liquid-tight fittings are provided preinstalled. Accepts the following cable diameters: 3/8-in NPT fitting, 4.6 mm to 7.9 mm (0.181 in to 0.312 in); 1/2-in NPT fittings, 4.3 mm to 11.9 mm (0.170 in to 0.470 in).

Window 9.5 mm (0.375 in) polycarbonate treated with a UV light resistant coating. Viewing area: 127 mm (5 in) diameter.

Housing Mounting Three (3), 8 mm (0.312 in) clearance holes in base. Mounting base assembly may be rotated through 360°.

Camera Mounting Slotted internal rail assembly, which may be rotated through 360°. All camera/lens mounting hardware is provided.

Construction Extruded aluminum cover, fabricated aluminum frame, and polycarbonate window.

Finish Dark mushroom

Dimensions (L x W x H) See Dimensional Outline 591 x 134 x 153 mm (23.3 x 5.3 x 6.0 in)

Weight 3.7 kg (8.2 lb)

Environmental

Temperature

External ambient temperatures of -30°C to +50°C (-22°F to +122°F)

Maintains internal temperatures of -20°C to +55°C (-4°F to +131°F)

Salt Atmosphere MIL-STD-810E, Method 509, Procedure I.

Enclosure Protection Designed to NEMA-4, IP65, Enclosure Type 4

Electromagnetic Compatibility EMC Requirements

Immunity	89/336/EEC, EN50082-1
Emission	89/336/EEC, EN50081-1 Class B

Safety

CE	LVD Requirements: 73/23/EEC; EN60065
UL	UL 1409
cUL	CSA 22.2, No.1

Accessories

LTC 9385/00 Sunshield	Provides protection from the direct rays of the sun and promotes cooling to reduce internal housing temperatures.
LTC 9380/01 Tamper Resistant Kit	Includes screws and insertion tool to permit tamper resistance for up to five (5) housings.

Ordering Information

LTC 9385/50 Outdoor Housing **LTC9385/50**
for camera/lens up to 345 mm (13.6 inch),
230 VAC, 50 Hz, heater

Accessories

LTC 9385/00 Sunshield **LTC9385/00**

LTC 9381/01 Conversion Kit **LTC9381/01**
NPT to PG

LTC 9380/00 Tamper Kit **LTC9380/00**
For LTC 9385 series housings, up to 10 housings

LTC 9380/01 Tamper Kit **LTC9380/01**
for LTC 9385 series housings, up to 5 housings

Americas:
Bosch Security Systems, Inc.
130 Perinton Parkway
Fairport, New York, 14450, USA
Phone: +1 800 289 0096
Fax: +1 585 223 9180
security.sales@us.bosch.com
www.boschsecurity.us

Europe, Middle East, Africa:
Bosch Security Systems B.V.
P.O. Box 80002
5600 JB Eindhoven, The Netherlands
Phone: +31 40 2577 284
Fax: +31 40 2577 330
emea.securitysystems@bosch.com
www.boschsecurity.com

Asia-Pacific:
Robert Bosch (SEA) Pte Ltd, Security Systems
11 Bishan Street 21
Singapore 573943
Phone: +65 6258 5511
Fax: +65 6571 2698
apr.securitysystems@bosch.com
www.boschsecurity.com

Represented by