



# LTC 1271 Series Corner Phortress Cameras



- ▶ High Security Phortress Design
- ▶ Withstands 50 kg (120 lbs) of Direct Force on the Polycarbonate Dome
- ▶ Integral Color, High Resolution Camera with Wide Angle, Varifocal Lens
- ▶ Standard White Finishes
- ▶ 24 VAC with Line-lock & Phase Adjust
- ▶ All-in-one Package with No Separate Corner Bracket Required

As an extension of the MiniLine products, Bosch offers a corner-mounted indoor version of the high security grade, aluminum Phortress. The LTC 1271 Series Corner Phortress offers the same camera protection with a discrete design that works well in most indoor corner applications.

Its sleek design and small, inconspicuous appearance allow for an attractive look that complements most decors.

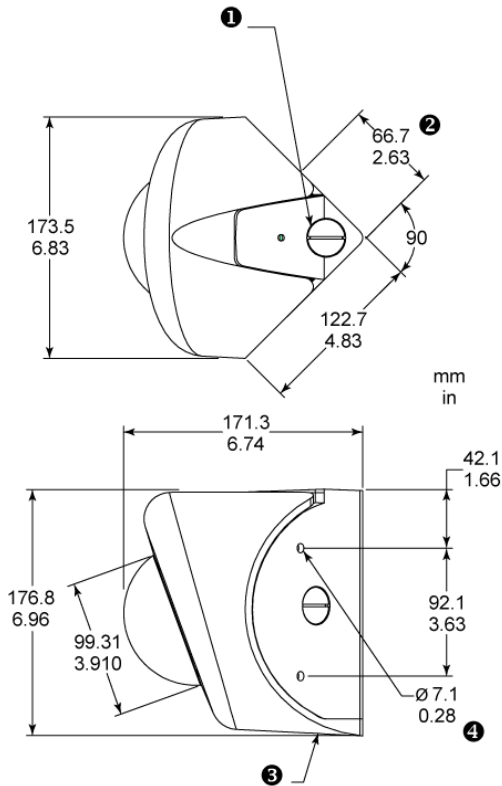
## Functions

The camera can mount flush to the ceiling, or it can be wall mounted below ceiling level. It comes in a standard white finish for use in lobbies, elevators, and other design-specific locations.

The Corner Phortress includes a full featured camera/lens combination in a cast aluminum housing (with the strength of 10 gage steel) and polycarbonate bubble that can withstand the equivalent of 50 kg (120 lbs) of force. The unit can also endure 125 kg (300 lbs) of weight, if an attempt was made to pull the unit down from a masonry wall, provided that the recommended mounting bolts are employed.

The Phortress's flexible varifocal camera makes it an ideal replacement for traditional camera installations, where extra security is required.

**Installation/Configuration Notes**



*Dimensions*

- |   |  |   |  |
|---|--|---|--|
| 1 | 3/4-inch threaded conduit Opening 1 of 3. 2 plugs supplied | 3 | Closure secured with tamper-resistant screw. Driver bit supplied |
| 2 | Hole location both sides                                   | 4 | 2 Holes each side  |

**Parts Included**

Quantity	Component
1	LTC 1271 Series Corner Phortress Camera

**Technical Specifications**

**Electrical**

Model No.	Voltage Range	Mono/Color Systems	Power
LTC 1271/10C	21 to 27 VAC or 11 to 13 VDC	PAL	2.7 W
LTC 1271/20C	21 to 27 VAC or 11 to 13 VDC	NTSC	2.7 W

<b>Lens</b>	Integral 2 –4 mm varifocal.
<b>Iris/Shutter</b>	Auto DC control iris; F1.6–200 iris range
<b>Imager</b>	Interline transfer CCD; 1/4-inch image format
<b>Horizontal Res.</b>	480 TVL
<b>Sensitivity (3200K)</b>	

	Minimum Scene Illumination
Scene illumination	1.2 lux (fc 0.12)
	F1.2, 89% reflection, 50 IRE.

<b>Signal-to-noise Ratio</b>	48 dB
<b>White Balance (Color Models Only)</b>	

	Automatic Sensing through the Lens (TTL System) Continuous or hold.
--	---

<b>Video Output</b>	1.0 Vpp, 75 ohm
---------------------	-----------------

<b>Synchronization</b>	
Line-lock (When Powered AC)	Synchronizes camera to power line zero crossing for roll-free vertical interval switching. Vertical phase delay can be externally adjusted (continuously) to allow vertical synchronization in multiphase power installations.

Crystal-lock (When Powered DC )	Internal crystal reference is standard on all models.
---------------------------------	---

<b>Controls</b>	
Automatic Gain Control (AGC)	On / off
Gamma	0.6/1.0
Automatic White Balance (AWB)	Continuous / hold
Backlight Compensation (BLC)	On / off

<b>Connectors</b>	
Video Out	BNC
Power	Stripped leads

**Mechanical**

**Cable Entry**

Through one of three 3/4-inch conduit knockouts. Two plugs provided. Set screw located at top of housing to secure top conduit plug

**Mounting**

Mounts on wall using four (4) 6 mm (1/4- inch) screws. Cover is secured with one tamper-resistant screw. Driver bit is provided

**Construction Finish**

Polycarbonate dome on cast aluminum housing.  
White finish

**Dimensions**

See dimensional drawing.

**Environmental**

Rated for indoor use.

Operating Temperature -10 °C to 50 °C (14 °F to 122 °F)

Storage Temperature -20 °C to 50 °C (-4 °F to 122 °F)

Humidity 0% to 90% relative, non condensing

**Electromagnetic Compatibility**

EMC requirements CD Immunity, FCC Class A

Safety UL, cUL, CE

**Ordering Information****Model | Description**

LTC 1271/10C Corner Phortress Camera  
1/4-inch color PAL, corner mount, lt. tint, 480 TVL, 12 VDC/24 VAC, 50 Hz,  
w/2 – 4 mm, auto iris varifocal lens, white

LTC 1271/20C Corner Phortress Camera  
1/4-inch color NTSC, corner mount, lt. tint, 480 TVL, 12 VDC/24 VAC, 60 Hz,  
w/2 – 4 mm, auto iris varifocal lens, white

**Hardware Accessories**

LTC 1340/00 Wall Arm/Adapter Plate  
US version, for vari/phortress dome

LTC 1343/00 Pipe Mount /Adapter Plate  
US version, for vari/phortress dome

**Americas:**  
Bosch Security Systems  
130 Perinton Parkway  
Fairport, New York, 14450, USA  
Phone: +1 585 223 4060  
Fax: +1 800 289 0096  
security.sales@us.bosch.com  
www.boschsecurity.us

**Europe, Middle East, Africa:**  
Bosch Security Systems B.V.  
P.O. Box 80002  
5600 JB Eindhoven, The Netherlands  
Phone: +31 (0) 40 27 83955  
Fax: +31 (0) 40 27 86668  
emea.securitysystems@bosch.com  
www.boschsecurity.com

**Asia-Pacific:**  
Bosch Security Systems Pte Ltd  
38C Jalan Pemimpin  
Singapore 577180  
Phone: +65 6319 3450  
Fax: +65 6319 3499  
apr.securitysystems@bosch.com  
www.boschsecurity.com

**Represented by**