



LTC 9369/00 Indoor Housing



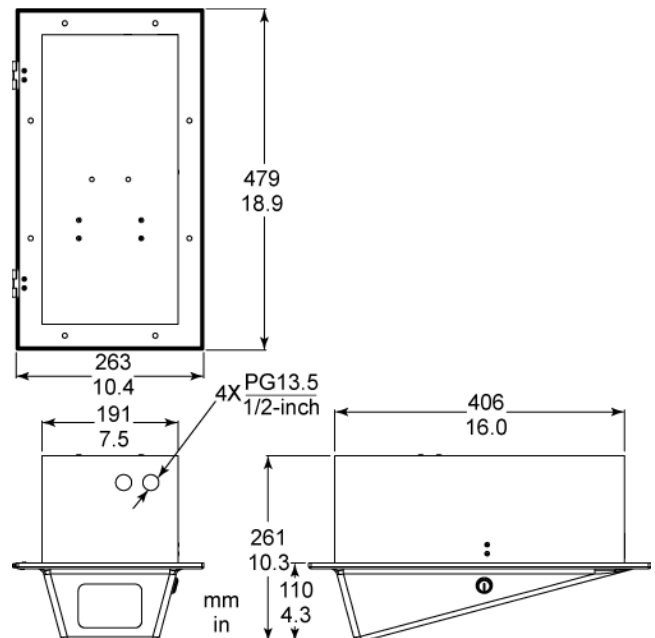
- ▶ For Fixed or Suspended Ceilings
- ▶ Convenient Key Lock Access
- ▶ Easy Installation
- ▶ Attractive Low Profile Styling
- ▶ Suitable for Use in Environmental Air Spaces
- ▶ Rotatable Ceiling Tile Mounting Kits Available

The LTC 9369/00 is an aesthetically designed indoor ceiling housing for CCTV camera installations. This housing can be easily mounted in fixed or suspended ceilings and is ideal for any application where attractive and discreet CCTV monitoring is required. The LTC 9369/00 construction consists of a tough acrylic/PVC alloy plastic cover hinged to an aluminized steel backbox. This construction allows the LTC 9369/00 to be used

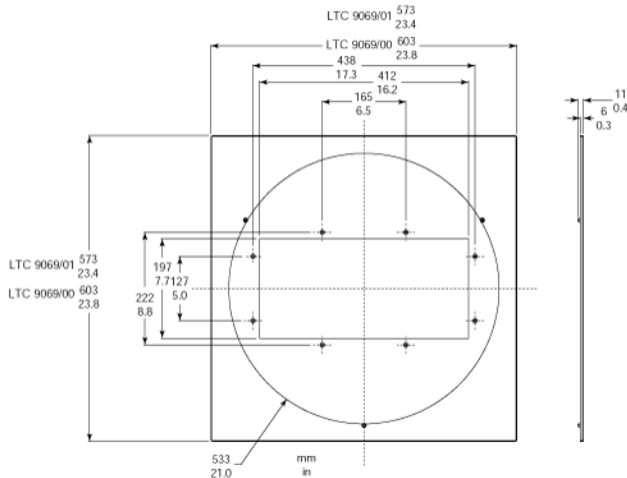
in environmental air spaces or in air handling plenum of non fire-resistant ceilings. Other construction features include: key lock access, a polycarbonate window, an adjustable camera mount system, and cable entry through conduit knockouts.

Optional Mounting kits are available for 2 ft · 2 ft and 600 mm · 600 mm suspended ceiling tiles. These mounting kits allow 360° rotation and easy installation.

Installation/Configuration Notes



Dimensional Outline



Dimensional Outline

Parts Included

Quantity	Component
1	LTC 9369/00 Indoor Housing

Technical Specifications

Mechanical

Maximum Camera/Lens Size:

Accepts camera/lens combinations up to 330 L x 102 W x 102 H mm (13 x 4 x 4 inch).

Cable Entry Wiring access available through four (two front and two back) PG13.5 (1/2 inch) conduit knockouts.

Window 3.2 mm (0.13 inch) thick polycarbonate.

Housing Mounting Eight protected 7mm (0.27 inch) holes in backbox. Top of backbox contains two 6 mm (0.25 inch) knockouts for safety cable wiring.

Camera Mounting Two piece adjustable mounting system.

Construction/Finish:

Cover 1.6 mm (0.06 inch) acrylic/PVC alloy plastic with a haircell texture and light gray color.

Backbox 1 mm (0.04 inch) aluminized steel.

Dimensions See Dimensional Outlines

Weight 3.4 kg (7.5 lb)

Environmental

Enclosure Protection Cover and window meet UL Flame Rating 94V-0.

Electromagnetic Compatibility

EMC Requirements FCC Class B, ICES-003

Safety UL,cUL

Accessories

Mounting Kits Ceiling tile mounting kits for suspended ceiling installations. Constructed of 1 mm (0.04 inch) aluminized steel painted with light gray powder coat. Rotates through 360°.

LTC 9069/00 Replaces a 2 ft x2 ft ceiling tile

LTC 9069/01 Replaces a 600 x 600 mm ceiling tile

Ordering Information

LTC 9369/00 Indoor Housing drop ceiling mount, tamper resistant, camera lens up to 300 mm (13 inch) LTC9369/00

Accessories

LTC 9069/01 Mounting Plate 600 mm x 600 mm (2 ft x 2 ft), for LTC9369 LTC9069/01

Europe, Middle East, Africa:
 Bosch Security Systems B.V.
 P.O. Box 80002
 5600 JB Eindhoven, The Netherlands
 Phone: + 31 40 2577 284
 Fax: +31 40 2577 330
 emea.securitysystems@bosch.com
 www.boschsecurity.com

Americas:
 Bosch Security Systems, Inc.
 130 Perinton Parkway
 Fairport, New York, 14450, USA
 Phone: +1 800 289 0096
 Fax: +1 585 223 9180
 security.sales@us.bosch.com
 www.boschsecurity.us

Asia-Pacific:
 Bosch Security Systems Pte Ltd
 38C Jalan Pemimpin
 Singapore 577180
 Phone: +65 6319 3450
 Fax: +65 6319 3499
 apr.securitysystems@bosch.com
 www.boschsecurity.com

Represented by