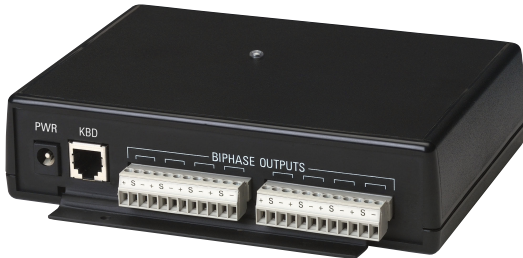



**BOSCH**

Invented for life

# LTC 8786 Series RS-232 to Biphase Converter



- ▶ For use with PC or other devices running user-supplied video controller software
- ▶ Provides up to 16 Bi-Phase control code outputs
- ▶ Each output operates up to 8 devices in a daisy chain
- ▶ Compact design

The LTC 8786 Series of data converters are designed to convert Bosch "Receiver/Driver and AutoDome RS-232 Control Code Protocol" into Allegiant Bi-Phase control code.

These units are specifically designed to transform a single data output from a PC-based DVR (or a similar device) into multiple control code outputs for operating AutoDome cameras.

The Bosch "Receiver/Driver and AutoDome RS-232 Control Code Protocol" is a simplex RS-232 data format designed to communicate with the Bosch line of receiver/drivers, AutoDome cameras, LTC 8786 converters, and other compatible accessory devices. Complete information on the protocol can be obtained by downloading the manual from the AutoDome section of [www.boschsecuritysystems.com](http://www.boschsecuritysystems.com).

The input RS-232 baud rate of the LTC 8786 Series is fixed at 9600 baud, 1 stop bit, 8 data bits, no parity, and no handshake. The LTC 8786 Series units can be connected directly to the RS-232 serial port of a PC using an industry standard null modem cable. If another connection type is required, an interface cable can easily be constructed using the supplied 9-Pin D connector.

## Certifications and Approvals

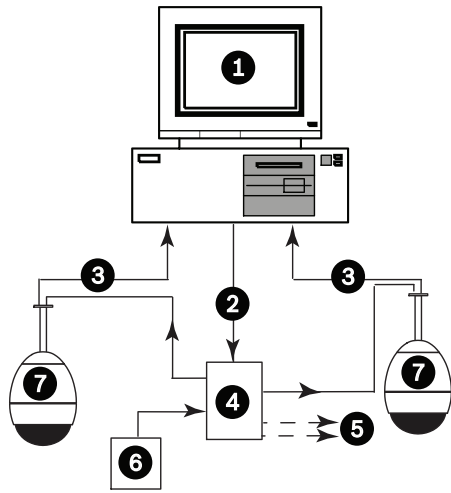
### Agency Certifications

EMC Immunity	EN50130-4
EMC Emission	EN55022-1, FCC Part 15, Class A

### Safety

Converter	CE, LVD 73/23/EEC
Power Supply Adapter	CE, UL, CSA, TUV

**Installation/Configuration Notes**

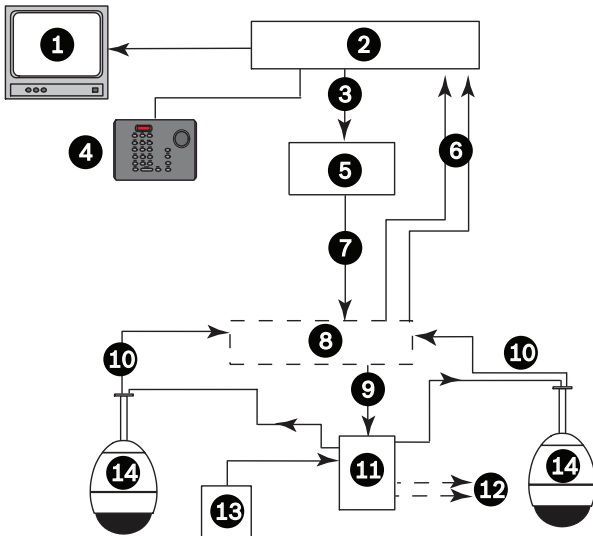


- 1 Video Monitor
- 2 Allegiant System
- 3 Bi-Phase Data
- 4 Allegiant Keyboard
- 5 LTC 8780 Data Converter
- 6 Video Signal
- 7 RS-232 Data
- 8 Video and RS-232 Communication Link
- 9 RS-232 Data
- 10 Video Signal
- 11 LTC 8786 Converter
- 12 Up to 16 Bi-Phase control code outputs
- 13 LTC 8786 Power Supply Adapter
- 14 Typical AutoDome Cameras or Allegiant Receiver/Driver Units

*Typical Configurations*

*Using PC as a Source of RS-232 Data*

- 1 Typical PC with Video Capture Card(s) or Other Device Running User-supplied Video/Control Software
- 2 RS-232 Data
- 3 Video Signal
- 4 LTC 8786 Converter
- 5 Up to 16 Bi-Phase Control Code Outputs
- 6 LTC 8786 Power Supply Adapter
- 7 Typical AutoDome Cameras or Allegiant Receiver/Driver Units



*When Used as Remote RS-232 to Bi-Phase Converter*

**Technical Specifications**

**Electrical**

Model No. <sup>1</sup>	Rated Voltage	Voltage Range
LTC 8786/60	120 VAC, 50/60 Hz	105-132 VAC
LTC 8786/50	220–240 VAC, 50/60 Hz	195.5-253 VAC

1. Includes applicable power supply adapter.

Nominal Power	3 W (at rated voltage)
Indicator	3 W (at rated voltage)

**Connectors**

Data In	9-pin D Connector (a 9-pin adapter is supplied), RJ-11
Bi-Phase Output	Removable terminal blocks with three connections: (+), (-), and (S [Shield]) for each of the sixteen Bi-Phase code outputs
Power Connector	1.8 m (5.75 ft) power supply cable with bayonet type plug
Transmission Distance	1.5 km (5000 ft) using 1 mm <sup>2</sup> (18 <sup>AWG</sup> ) shielded twisted pair cable (Belden 8760 or equivalent)

**Mechanical**

Case	Black plastic with metal mounting flanges
Dimensions (Overall) (W x D x H)	154 x 132 x 38 mm (6.08 x 5.25 x 1.5 in.)
Weight	0.132 kg (0.7 lb)

**Environmental**

Operating Temperature Range	0°C to 40°C (32°F to 144°F)
Operating Humidity	10% to 90% non-condensing

**Ordering Information**

**LTC 8786/50 RS-232 to Biphase Converter**    **LTC 8786/50**  
with 16 Biphase outputs, 220-240 VAC,  
50/60 Hz, 195.5-253 VAC

---

**LTC 8786/60 RS-232 to Biphase Converter**    **LTC 8786/60**  
with 16 Biphase outputs, 120 VAC, 50/60 Hz,  
105-132 VAC

**Americas:**  
Bosch Security Systems, Inc.  
130 Perinton Parkway  
Fairport, New York, 14450, USA  
Phone: +1 800 289 0096  
Fax: +1 585 223 9180  
security.sales@us.bosch.com  
www.boschsecurity.us

**Europe, Middle East, Africa:**  
Bosch Security Systems B.V.  
P.O. Box 80002  
5600 JB Eindhoven, The Netherlands  
Phone: + 31 40 2577 284  
Fax: +31 40 2577 330  
emea.securitysystems@bosch.com  
www.boschsecurity.com

**Asia-Pacific:**  
Robert Bosch (SEA) Pte Ltd, Security Systems  
11 Bishan Street 21  
Singapore 573943  
Phone: +65 6258 5511  
Fax: +65 6571 2698  
apr.securitysystems@bosch.com  
www.boschsecurity.com

**Represented by**