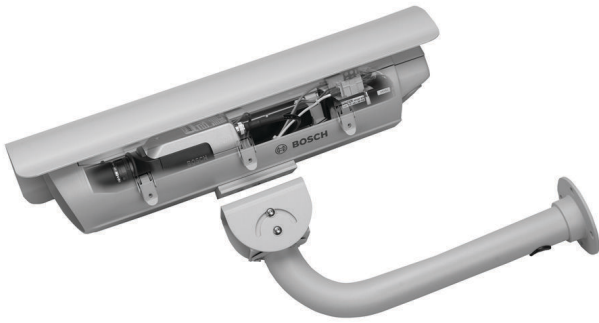




KBP Series Prepackaged Cameras



- ▶ **General purpose, high performance, and Day/Night cameras**
- ▶ **Network and analog cameras**
- ▶ **Various lens options available**
- ▶ **Bilinx bi-directional communication**
- ▶ **Outdoor IP66 enclosure rating**
- ▶ **Camera and lens are pre-wired into a Bosch housing**
- ▶ **Plug and Play design includes coax and power connectors on rear of the housing**

The KBP Series Prepackaged Cameras are complete surveillance systems that include a camera and lens installed and pre-wired into a Bosch housing plus a color matched wall-mount.

All packages feature Bosch's signature line of Dinion, Dinion^{XF}, or Dinion 2X cameras. Each package offers choices of a varifocal lens to fit a wide range of surveillance applications. Outdoor models are enclosed in a Bosch housing with an IP66 enclosure rating.

The Dinion^{XF} Series offers 15-bit and the Dinion 2x offers 20-bit digital video processing, delivering unsurpassed picture performance under even the most difficult light and scene conditions in conjunctions with XF-Dynamic wide dynamic range, which reveals all of the details in ultra high-contrast scenes.

Dinion IP network cameras are designed to ensure the highest possible image quality at all times, providing DVD-like, high-quality MPEG-4 video, at up to 25 images per second. Dinion IP is a true hybrid camera with both Ethernet and BNC connections for network and analog video.

Each analog camera is equipped with Bosch's innovative Bilinx bi-directional communication for remote programming. Bilinx uses standard video cable to transmit alarm and status messages, providing superior performance and simplified installation.

The true advantage of the Bosch prepackaged cameras lie with the plug-and-play design. Installation is quick and easy, since these units include a factory-installed camera and lens with adjusted back-focus - all of which are pre-wired through the housing base. Coax and power connectors are pre-wired at the end of the housing.

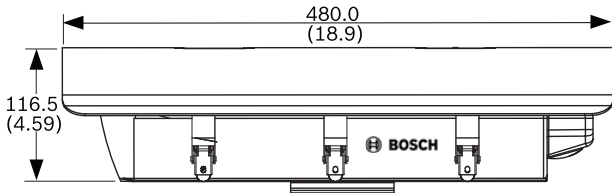
Everything about the KBP Series Prepackaged Cameras, from the installer-friendly design, coupled with the Dinion, Dinion^{XF}, and Dinion 2X Series Cameras and a wide range of options make the KBP Series Prepackaged cameras an ideal solution for every surveillance requirement.

Certifications and Approvals

Electromagnetic Compatibility

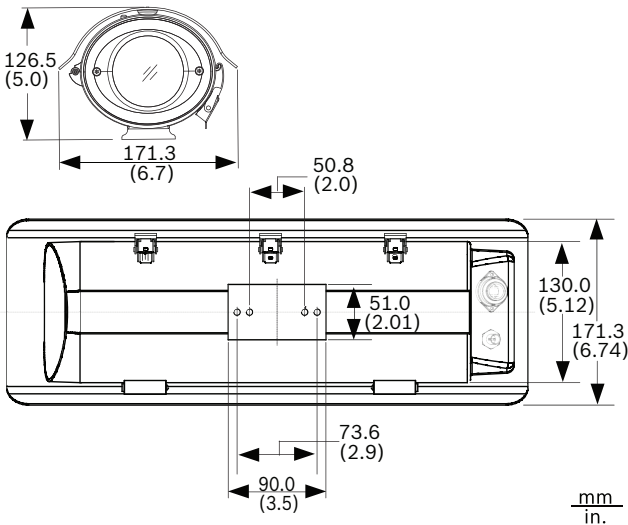
EMC Immunity	According EN50130-4
EMC Emission	According EN505022 class B
Product Safety	Complies with EN60065

Installation/Configuration Notes



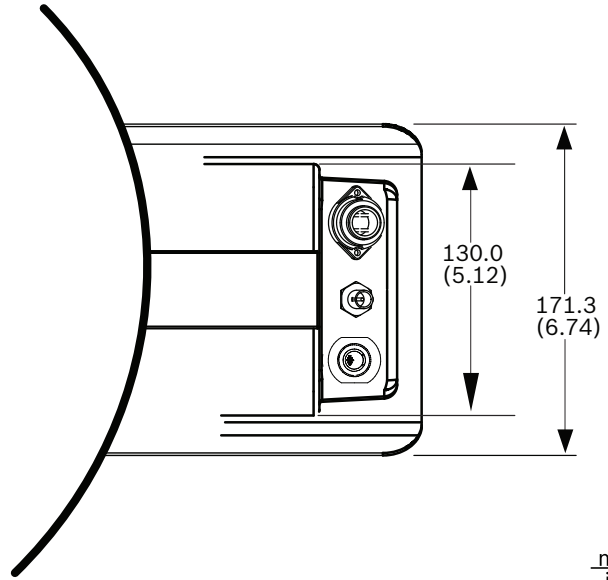
$\frac{\text{mm}}{\text{in.}}$

KBP Camera Housing Dimensions – Side View



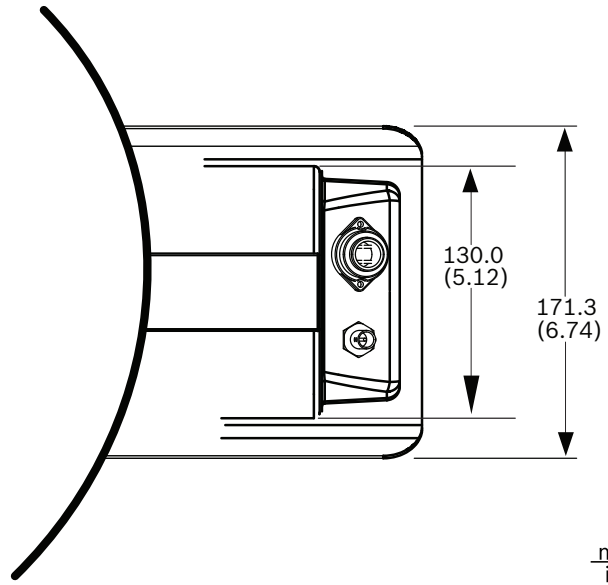
$\frac{\text{mm}}{\text{in.}}$

KBP Camera Housing Dimensions – Bottom View



$\frac{\text{mm}}{\text{in.}}$

KBP IP Camera Housing Detail – Bottom View



$\frac{\text{mm}}{\text{in.}}$

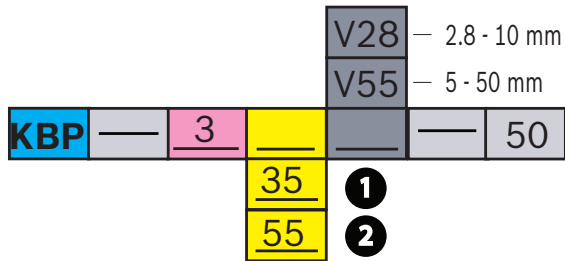
KBP Analog Camera Housing Detail – Bottom View

Ordering Guide

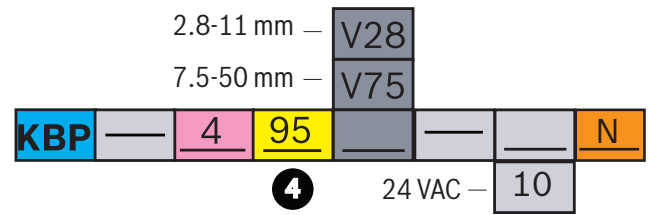
Use the following charts to create your order numbers.

Sample: KBP-485V55-50

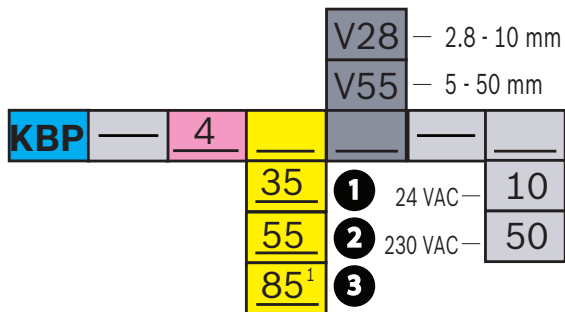
KBP	Prepackaged Outdoor Model
485	1/3 in. High Resolution Day/Night
V55	5–50 mm Varifocal Lens
50	230 VAC, 50 Hz



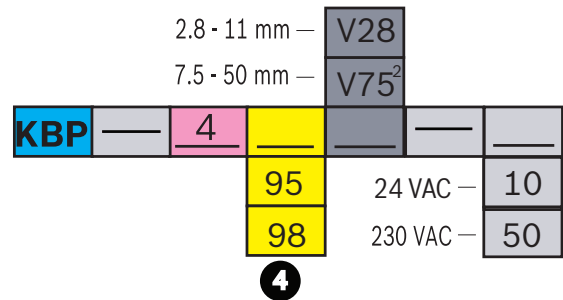
1/3-inch Monochrome Prepackaged Cameras



1/3-inch Day/Night IP Camera



1/3-inch Color Prepackaged Cameras
(1. 485 model only available in 230 VAC, 50 Hz)



1/3-inch Day/Night High Resolution Prepackaged Cameras
(2. KBP-495V75 model only available in 230 VAC, 50 Hz)

Number	Reference
1	1/3 in. standard resolution
2	1/3 in. high resolution
3	1/3 in. high resolution, high sensitivity
4	1/3 in. high performance day/night

Technical Specifications

For a detailed list of camera technical specifications, refer to the appropriate datasheet for additional information.

Electrical

Model No.	Camera Type	Lens	Description
KBP-335V28-50	LTC 0335/50	LTC 3364/41	Standard Res. Mono CCIR, 2.8-12 mm
KBP-335V55-50	LTC 0335/50	LTC 3374/21	Standard Res. Mono CCIR, 5-50 mm
KBP-355V28-50	LTC 0355/50	LTC 3364/41	High Res. Mono CCIR, 2.8-12 mm
KBP-355V55-50	LTC 0355/50	LTC 3374/21	High Res. Mono CCIR, 5-50 mm
KBP-435V28-50	LTC 0435/50	LTC 3364/50	Standard Res. Color PAL, 2.8-10 mm
KBP-435V55-50	LTC 0435/50	LTC 3374/50	Standard Res. Color PAL, 5-50 mm
KBP-435V28-10	LTC 0435/10	LTC 3364/50	Standard Res. Color PAL, 2.8-10 mm
KBP-435V55-10	LTC 0435/10	LTC 3374/50	Standard Res. Color PAL, 5-50 mm
KBP-455V28-50	LTC 0455/51	LTC 3364/50	High Res. Color PAL, 2.8-10 mm
KBP-455V55-50	LTC 0455/51	LTC 3374/50	High Res. Color PAL, 5-50 mm
KBP-455V28-10	LTC 0455/11	LTC 3364/50	High Res. Color PAL, 2.8-10 mm
KBP-455V55-10	LTC 0455/11	LTC 3374/50	High Res. Color PAL, 5-50 mm
Model No.	Camera Type	Lens	Description
KBP-485V28-50	LTC 0485/51	LTC 3364/50	High Res. Color PAL, 2.8-10 mm
KBP-485V55-50	LTC 0485/51	LTC 3374/50	High Res. Color PAL, 5-50 mm
KBP-495V28-10	LTC 0498/11	LTC 3664/40	High Res. Day/Night, Color PAL, 2.8-11 mm
KBP-495V28-50	LTC 0498/51	LTC 3664/40	High Res. Day/Night, Color PAL, 2.8-11 mm
KBP-495V75-50	LTC 0498/51	LTC 3674/20	High Res. Day/Night PAL, 7.5-50 mm
KBP-498V28-10	LTC 0498/11	LTC 3664/40	High Res. Day/Night, Color PAL, 2.8-11 mm
KBP-498V28-50	LTC 0498/51	LTC 3664/40	High Res. Day/Night, Color PAL, 2.8-11 mm
KBP-498V75-50	LTC 0498/51	LTC 3674/20	High Res. Day/Night PAL, 7.5-50 mm

Model No.	Camera Type	Lens	Description
KBP-495V28-10N	NWC-0495/11	LTC 3664/40	IP Day/Night, 2.8-11 mm
KBP-495V75-10N	NWC-0495/11	LTC 3674/20	IP Day/Night 7.5-50 mm

Model	Voltage
KBP-335V28-50, KBP-335V55-50, KBP-355V28-50, KBP-355V55-50, KBP-435V28-50, KBP-435V55-50, KBP-455V28-50, KBP-455V55-50, KBP-485V28-50, KBP-485V55-50, KBP-495V28-50, KBP-495V75-50, KBP-498V28-50, KBP-498V75-50	230 VAC, 50 Hz
KBP-435V28-10, KBP-435V55-10, KBP-455V28-10, KBP-455V55-10, KBP-495-V28-10, KBP-498V28-10, KBP-495V28-10N, KBP-495V75-10N	24 VAC, 50 Hz

Power Consumption

KBP-xxVxx-50	50 W
KBP-xxVxx-10	45 W
KBP-xxVxx-10N	48 W ¹

Imager Interline transfer CCD 1/3 in. format

1. PoE: IEEE 802.3af compliant (camera only; housing requires 40 W)

Sensitivity (3200 K)	Scene Illumination (Full Video)	Scene Illumination (50 IRE)
Monochrome		
KBP-335 Series	0.90 lux (0.08 fc)	0.22 lux (0.02 fc)
KBP-355 Series	0.65 lux (0.06 fc)	0.16 lux (0.02 fc)
Color		
KBP-435V28	2.16 lux (0.20 fc)	0.54 lux (0.05 fc)
KBP-435V55	3.18 lux (0.29 fc)	1.72 lux (0.16 fc)
KBP-455V28		
Standard	3.60 lux (0.33 fc)	0.90 lux (0.08 fc)
NightSense	1.44 lux (0.13 fc)	0.36 lux (0.03 fc)
KBP-455V55		
Standard	5.31 lux (0.48 fc)	1.33 lux (0.12 fc)
NightSense	2.12 lux (0.19 fc)	0.53 lux (0.05 fc)

Sensitivity (3200 K)	Scene Illumination (Full Video)	Scene Illumination (50 IRE)
Color		
KBP-485V28		
Standard	3.3 lux (0.30 fc)	0.80 lux (0.07 fc)
NightSense	n/a	0.32 lux (0.03 fc)
KBP-485V55		
Standard	4.81 lux (0.44 fc)	1.18 lux (0.11 fc)
NightSense	n/a	0.48 lux (0.04 fc)
Day/Night		
KBP-495 Series (IP and analog models)		
Color	3.26 lux (0.30 fc)	0.80 lux (0.07 fc)
Monochrome	n/a	0.11 lux (0.01 fc)
Sens Up	n/a	0.04 lux (0.003 fc)
Sens Up Monochrome	n/a	0.01 lux (0.001 fc)
KBP-498 Series		
Color	2.4 lux (0.24 fc)	0.59 lux (0.059 fc)
Monochrome	n/a	0.08 lux (0.008 fc)
Color + SensUP 10x	0.24 lux (0.024 fc)	0.059 lux (0.0059 fc)
Monochrome + SensUP 10x	n/a	0.008 lux (0.0008 fc)
Sensitivity Up	Off, automatic continuous up to 10x	
IP "N" Models		
Video Standards	MPEG-4; M-JPEG Video	
Data Rate	9.6 Kbps – 6 Mbps constant & variable	
Video Resolution	704 x 576/480 (4CIF: 25/30 IPS) 704 x 288/240 (2CIF: 25/30 IPS) 352 x 576/480 (Half D1: 25/30 IPS) 352 x 288/240 (CIF: 25/30 IPS) 176 x 144/120 (QCIF: 25/30 IPS)	
Select. Frame Rate	1-25/30 IPS (PAL/NTSC); field/frame based coding	
Network Protocols	RTP, Telnet, UDP, TCP, IP, HTTP, IGMP, ICMP	
Software Update	Flash ROM, remote programmable	
Configuration	Using web browser, built-in Web server interfaces	
Horizontal Resolution		
Monochrome		
KBP-335 Series	380 TVL	
KBP-355 Series	570 TVL	
Color		
KBP-435 Series	330 TVL	
KBP-455 Series, KBP-485 Series	540 TVL	
Day/Night		
KBP-495 Series KBP-498 Series	540 TVL	
IP Day/Night		
KBP-495 Series	540 TVL	

Video Output

Composite video 1.0 Vpp, 75 Ohm

Control

Bilinx bi-directional coaxial communication (analog cameras)
OSD with softkey operation
Web browser or Configuration Manager (IP cameras)

Lenses

Type Number	Focal Length	Iris Control Range	Iris Control	IR Corrected
LTC 3364/41	2.8 – 12 mm	F1.4 – 360	DC-iris	n/a
LTC 3374/21	5 – 50 mm	F1.4 – 360	DC-iris	n/a
LTC 3364/50	2.8 – 10 mm	F1.4 – 360	DC-iris	n/a
LTC 3374/50	5 – 50 mm	F1.7 – 360	DC-iris	n/a
LTC 3664/40	2.8 – 11 mm	F1.4 – 360	DC-iris	√
LTC 3674/20	7.5 – 50 mm	F1.4 – 360	DC-iris	√

Mechanical**Connectors**

Power	Plug
Rear Connectors Type	2x (analog), 3x (IP) 4-pin (power) BNC (video) RJ-45 Feed-through (IP)

Power supply input terminals are isolated from video output terminals.

Housing (UHO-HBPS Series)

Dimensions	116.5 x 171.3 x 480.0 mm (4.59 x 6.74 x 18.9 in.)
Weight (approx.)	4.1 kg (9.04 lb)
Construction	Aluminum housing casing, neoprene gaskets, UV-resistant polymer end caps, and all stainless steel hardware
Finish	Grey
Window	3 mm (0.12 in.) Thick UV-stabilized polycarbonate
Mounting	Four (4), 8 mm (5/16 in.) diameter fasteners (not included) are required for mounting

Feed-through Mount (LTC 9215/00)

Max Load	9 kg (20 lb)
Size	30 cm (12 in.)
Weight	0.4 kg (0.9 lb)

Environmental**Operating Temperature**

- KBP-335, KBP-355, –40°C to 50°C (–40°F to 122°F)
KBP-435, KBP-455,
KBP-485 Series
- KBP-495 Series –20°C to 50°C (–4°F to 122°F)
- KBP-498 Series –20°C to 55°C (–4°F to 131°F)
- KBP-495Vxx-10N Series (IP Cameras) –40°C to 46°C (–40°F to 116°F)

Humidity	0% to 93% relative, non-condensing
Enclosure Protection	IP66, NEMA-4X
Delivery	The standard delivery includes: CCTV camera with lens and mounting bracket
Accessories	
Heater/Blower	Included
Sunshield	Included
Wall Mount	Included
Pole Mount Adapter	LTC 9213/01

Ordering Information

KBP-335V28-50 Monochrome, 2.8–12 mm Varifocal Lens, Unity Camera **KBP-335V28-50**

Monochrome CCIR camera, 2.8–12 mm varifocal lens, 380 TVL, 230 VAC, 50 Hz

KBP-335V55-50 Monochrome, 5–50 mm Varifocal Lens, Unity Camera **KBP-335V55-50**

Monochrome CCIR camera, 5–50 mm varifocal lens, 380 TVL, 230 VAC, 50 Hz

KBP-355V28-50 Monochrome, 2.8–12 mm Varifocal Lens, Unity Camera **KBP-355V28-50**

Monochrome CCIR camera, 2.8–12 mm varifocal lens, 570 TVL, 230 VAC, 50 Hz

KBP-355V55-50 Monochrome, 5–50 mm Varifocal Lens, Unity Camera **KBP-355V55-50**

Monochrome CCIR camera, 5–50 mm varifocal lens, 570 TVL, 230 VAC, 50 Hz

KBP-435V28-10 Color, 2.8–10 mm Varifocal Lens, Unity Camera **KBP-435V28-10**

Color PAL camera, 2.8–10 mm varifocal lens, 330 TVL, 24 VAC, 50 Hz

KBP-435V28-50 Color, 2.8–10 mm Varifocal Lens, Unity Camera **KBP-435V28-50**

Color PAL camera, 2.8–10 mm varifocal lens, 330 TVL, 230 VAC, 50 Hz

KBP-435V55-10 Color, 5–50 mm Varifocal Lens, Unity Camera **KBP-435V55-10**

Color PAL camera, 5–50 mm varifocal lens, 330 TVL, 24 VAC, 50 Hz

KBP-435V55-50 Color, 5–50 mm Varifocal Lens, Unity Camera **KBP-435V55-50**

Color PAL camera, 5–50 mm varifocal lens, 330 TVL, 230 VAC, 50 Hz

KBP-455V28-10 Color, 2.8–10 mm Varifocal Lens, Unity Camera **KBP-455V28-10**

Color PAL camera, 2.8–10 mm varifocal lens, 540 TVL, 24 VAC, 50 Hz

Ordering Information

KBP-455V28-50 Color, 2.8–10 mm Varifocal Lens, Unity Camera **KBP-455V28-50**

Color PAL camera, 2.8–10 mm varifocal lens, 540 TVL, 230 VAC, 50 Hz

KBP-455V55-10 Color, 5–50 mm Varifocal Lens, Unity Camera **KBP-455V55-10**

Color PAL camera, 5–50 mm varifocal lens, 540 TVL, 24 VAC, 50 Hz

KBP-455V55-50 Color, 5–50 mm Varifocal Lens, Unity Camera **KBP-455V55-50**

Color PAL camera, 5–50 mm varifocal lens, 540 TVL, 230 VAC, 50 Hz

KBP-485V28-50 Color, 2.8–10 mm Varifocal Lens, Unity Camera **KBP-485V28-50**

Color PAL camera, 2.8–10 mm varifocal lens, 540 TVL, 230 VAC, 50 Hz

KBP-485V55-50 Color, 5–50 mm Varifocal Lens, Unity Camera **KBP-485V55-50**

Color PAL camera, 5–50 mm varifocal lens, 540 TVL, 230 VAC, 50 Hz

KBP-495V28-10 Day/Night 2.8-11 mm Varifocal Lens, Unity Camera **KBP-495V28-10**

Day/Night PAL camera, 2.8–11 mm varifocal lens, 540 TVL, 24 VAC, 50 Hz

KBP-495V28-50 Day/Night, 2.8–11 mm Varifocal Lens, Unity Camera **KBP-495V28-50**

Day/Night PAL camera, 2.8–11 mm varifocal lens, 540 TVL, 230 VAC, 50 Hz

KBP-495V75-50 Day/Night, 7.5–50 mm Varifocal Lens, Unity Camera **KBP-495V75-50**

Day/Night PAL camera, 7.5–50 mm varifocal lens, 540 TVL, 230 VAC, 50 Hz

KBP-495V28-10N IP Day/Night, 2.8-11 mm Varifocal Lens, Unity Camera **KBP-495V28-10N**

IP Day/Night camera, 2.8–11 mm Varifocal lens, 24 VAC, 50 Hz

KBP-495V75-10N IP Day/Night, 7.5-50 mm Varifocal Lens, Unity Camera **KBP-495V75-10N**

IP Day/Night camera, 7.5–50 mm Varifocal lens, 24 VAC, 50 Hz

KBP-498V28-10 Day/Night 2.8-11 mm Varifocal Lens, Unity Camera **KBP-498V28-10**

Day/Night PAL camera, 2.8–11 mm varifocal lens, 540 TVL, 24 VAC, 50 Hz

KBP-498V28-50 Day/Night, 2.8–11 mm Varifocal Lens, Unity Camera **KBP-498V28-50**

Day/Night PAL camera, 2.8–11 mm varifocal lens, 540 TVL, 230 VAC, 50 Hz

Americas:
Bosch Security Systems, Inc.
130 Perinton Parkway
Fairport, New York, 14450, USA
Phone: +1 800 289 0096
Fax: +1 585 223 9180
security.sales@us.bosch.com
www.boschsecurity.us

Europe, Middle East, Africa:
Bosch Security Systems B.V.
P.O. Box 80002
5600 JB Eindhoven, The Netherlands
Phone: +31 40 2577 284
Fax: +31 40 2577 330
emea.securitysystems@bosch.com
www.boschsecurity.com

Asia-Pacific:
Robert Bosch (SEA) Pte Ltd, Security Systems
11 Bishan Street 21
Singapore 573943
Phone: +65 6571 2600
Fax: +65 6571 2698
apr.securitysystems@bosch.com
www.boschsecurity.com

Represented by

Ordering Information

**KBP-498V75-50 Day/Night, 7.5–50 mm
Varifocal Lens, Unity Camera** **KBP-498V75-50**
Day/Night PAL camera, 7.5–50 mm varifocal
lens, 540 TVL, 230 VAC, 50 Hz

Americas:
Bosch Security Systems, Inc.
130 Perinton Parkway
Fairport, New York, 14450, USA
Phone: +1 800 289 0096
Fax: +1 585 223 9180
security.sales@us.bosch.com
www.boschsecurity.us

Europe, Middle East, Africa:
Bosch Security Systems B.V.
P.O. Box 80002
5600 JB Eindhoven, The Netherlands
Phone: +31 40 2577 284
Fax: +31 40 2577 330
emea.securitysystems@bosch.com
www.boschsecurity.com

Asia-Pacific:
Robert Bosch (SEA) Pte Ltd, Security Systems
11 Bishan Street 21
Singapore 573943
Phone: +65 6571 2600
Fax: +65 6571 2698
apr.securitysystems@bosch.com
www.boschsecurity.com

Represented by