


BOSCH

Invented for life

EX72LED Explosion-Protected Infrared Illuminators



- ▶ Explosion protected infrared illuminator
- ▶ 100 LED array for 18.3 m (60 ft) of infrared illumination
- ▶ UL and CSA certified for explosion protected performance
- ▶ Class I, II, III, Div. 1, 2, Groups B, C, D, E, F, G, T6
- ▶ Compact design with threaded flame paths for maximum safety

The EX72LED series are tough, compact, explosion-protected infrared illuminators for effective night time illumination in hazardous environments.

The EX72LED series incorporates high-strength design, featuring construction of sand-cast, copper-free aluminum strong enough to withstand an internal explosion. Threaded flame paths extinguish burning explosive gases and allow them to exit the housing harmlessly, without risking ignition in the external environment.

By meeting the rigorous requirements for Class I, Division 1 environments, the EX72LED assures safe, effective performance at hazardous Class II and Division 2 locations.

The extended design of the EX72LED accommodates a powerful, high-efficiency 100 LED array that provides up to 18 m (60 ft) infrared illumination with IR sensitive cameras. Options for completely covert operation at 940 nm, as well as 30 ° and 60 ° beams are available for special applications.

Rated NEMA 4X for both indoor and outdoor use, the EX72LED carry a T6 temperature code; the lowest and safest rating. The EX72LED is easy to install into any 12 VDC or 24 VAC system and is a safe and effective night time illumination solution for hazardous locations.

Functions

Applications

- Petroleum processing facilities
- Chemical Facilities
- Agricultural processing plants
- Refineries
- Munitions storage facilities
- Oil and gas plants
- Fuel storage sites
- Industrial plants
- Nuclear facilities
- Pharmaceutical facilities
- Aircraft hangers

Certifications and Approvals

CSA/NRTL	LR 113310
Class	2258 / 82 - Process Control Equipment - For Hazardous Locations - Certified to US Standard 2258 / 02 - Process Control Equipment - For Hazardous Locations
Safety	OSHA / ANSI / UL / CSA UL 508, 16th Edition - Industrial Control Equipment UL 698, 11th Edition - Industrial Control Equipment for Use in Hazardous (Classified) Locations UL 1203, 2nd Edition - Explosion-Proof and Dust-Ignition-Proof Elec. Eqmt for Use in Hazardous (Classified) Locations

CSA C22.2 No.0-M1991 - General Requirements - Canadian Electrical Code Part II

CSA C22.2 No.0.4-M1982 - Bonding and Grounding of Electrical Equipment (Protective Grounding)

CSA C22.2 No.25-M1966 - Enclosures for Use in Class II Groups E, F and G Hazardous Locations

CSA C22.2 No.30-M1986 - Explosion-proof Enclosures for Use in Class I Hazardous Locations

CSA C22.2 No.94-M1991 - Special Purpose Enclosures

CSA C22.2 No.142-M1987 - Process Control Equipment Class I, Division 1 and 2, Groups B, C, and D

Class II, Division 1 and 2, Groups E, F, G

Class III

Operational Temperature Code T6 (At ambient operational temperature of 40°C, the maximum unit surface temperature will not exceed 85 °C.)

Environmental CSA / NEMA TYPE 4X

Number of LEDs	100
Power Supply	12 VDC or 24 VAC
Power Draw	15 W max (12 VDC at 1.25 A)
Bracket	Adapter plate included
Operation Temperature Range	-50 °C to +40 °C (-58 °F to 104 °F)
Dimensions	145 x 135 x 145 mm (HxWxD) (5.7 x 5.3 x 5.7 in) (HxWxD)
Weight	2.8 kg (6.2 lb)

Ordering Information

EX72LED8M Explosion-Protected Infrared Illuminator **EX72LED8M**
850 nm IR, 30 deg beam width

EX72LED9M Explosion-Protected Infrared Illuminator **EX72LED9M**
940 nm IR, 30 deg beam width

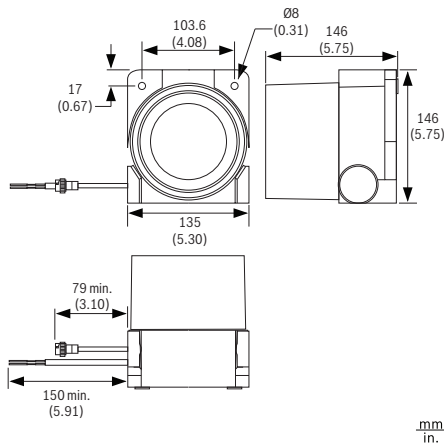
EX72LED8W Explosion-Protected Infrared Illuminator **EX72LED8W**
850 nm IR, 60 deg beam width

Accessories

EXPS.008 VAC Power Supply **EXPS.008**
Power supply 120 VAC/ 24 VAC 1500 mA

Installation/Configuration Notes

Dimensions



Technical Specifications

Model	EX72LED8W	EX72LED8M
LED Type	850 nm	850 nm
Beam Angle	60° Wide	30° Medium

Model	EX72LED9M
LED Type	940 nm
Beam Angle	30° Medium

Americas:
Bosch Security Systems, Inc.
130 Perinton Parkway
Fairport, New York, 14450, USA
Phone: +1 800 289 0096
Fax: +1 585 223 9180
security.sales@us.bosch.com
www.boschsecurity.us

Europe, Middle East, Africa:
Bosch Security Systems B.V.
P.O. Box 80002
5600 JB Eindhoven, The Netherlands
Phone: + 31 40 2577 284
Fax: +31 40 2577 330
emea.securitysystems@bosch.com
www.boschsecurity.com

Asia-Pacific:
Bosch Security Systems Pte Ltd
38C Jalan Pemimpin
Singapore 577180
Phone: +65 6319 3450
Fax: +65 6319 3499
apr.securitysystems@bosch.com
www.boschsecurity.com

Represented by