


BOSCH

Invented for life

EX10 Extreme Environment Camera



- ▶ **Weatherproof and insulated for hot and cold environments**
- ▶ **Installer-friendly, easy-access camera compartment**
- ▶ **Extreme weather sealed, waterproof and IP67 compliant**
- ▶ **Reduced power consumption, no requirement for internal heater or fan**
- ▶ **Operating temperature range from -60°C to +60°C**

The EX10 series is particularly suited for harsh weather applications. The simple, effective design allows performance in the most challenging of environmental conditions, including wash-down facilities, corrosive environments and sub-zero temperatures.

Made of an injection-molded ABS/Nylon resin, the EX10 series is engineered specifically to withstand hot, cold and wet environments. An insulated inner chamber eliminates the requirement for internal heaters and blowers. Compliant to IP67, the EX10 series also features an easy-access camera compartment for easy camera/lens adjustments and installation.

Rugged, compact, power protected and extreme weather-sealed, the EX10 is the ideal camera for harsh environments in day or dark conditions. The EX10 comes complete with a nylon or stainless steel wall bracket for quick and easy installation.

- Industrial freezers
- Oil rigs

Certifications and Approvals

CSA Type 6	Outdoor weather rating
CSA C22.2 No 0-M1991	General electrical eqts, part II
CSA C22.2 No 1-M94	Audio, video, and similar equipment
CSA C22.2 No 94-M91	Special purpose enclosures
UL Std No 50	Enclosures for electrical equipment
UL Std No 2044	Commercial CCTV equipment
FCC Class B	

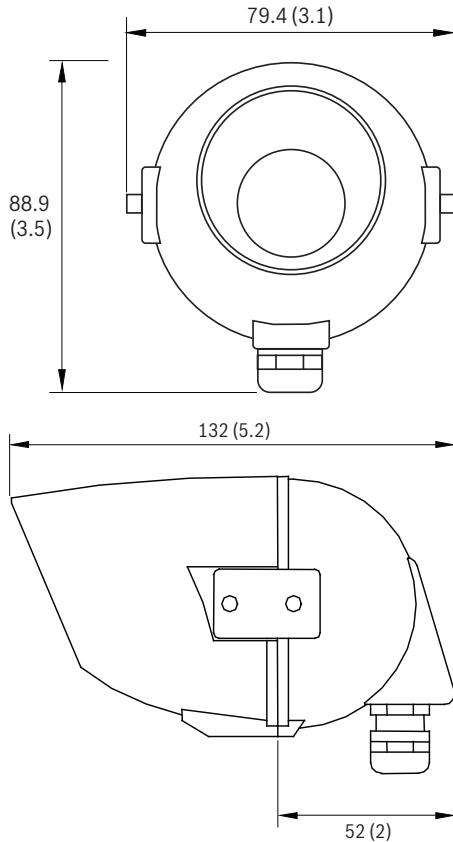
Functions

Applications

- Food processing
- Clean rooms
- Marinas
- Acid / alkali environments
- Swimming pools
- Sewage treatment plants

Installation/Configuration Notes

Dimensions



mm (in)

Parts Included

- Universal mounting bracket included

Technical Specifications

C7 Hi-Res Color

Image Sensor	1/3 in. Interline SuperHAD
Resolution	500 TVL
Effective Pixels NTSC	768 (H) x 494 (V)
Effective Pixels PAL	768 (H) x 494 (V)
Sensitivity	2.7 Lux at F1.4
S/N Ratio	Greater than 48 dB

M4 Hi-Res Day/Night

Image Sensor	1/3 in. SuperHAD CCD
Resolution	540TVL color/540TVL monochrome
Effective Pixels NTSC	768 (H) x 494 (V)
Effective Pixels PAL	752 (H) x 582 (V)
Sensitivity	0.06 Lux with F1.4 lens
S/N Ratio	Greater than 48dB

MX4 Extended Day/Night

Image Sensor	1/3 in. LXR CCD
Resolution	540TVL color/540TVL monochrome
Effective Pixels NTSC	768 (H) x 494 (V)
Effective Pixels PAL	752 (H) x 582 (V)
Sensitivity	0.02 Lux with F1.4 lens
S/N Ratio	Greater than 48dB

All Models

Video Output	1 Vpp, 75 ohm
Gamma	0.45
Gain Control	> 18 dB
Electronics Iris	1/60 to 1/100,000 (NTSC) 1/50 to 1/100,000 (PAL)

Voltage Supply	12 to 24 AC/DC
Power Consumption	120 mA at 12 VDC, 1.4 W (max)

Enclosure	Injection-molded nylon
Window	Polycarbonate
Dimensions	132 x 76 mm 5.2 x 3.0 in
Weight	0.375 kg (0.8 lb)

Operation Temperature Range	-60 °C to +60 °C (-76 °F to 140 °F)
-----------------------------	-------------------------------------

Environmental	IP67, NEMA6, NEMA6P compliant
---------------	-------------------------------

Ordering Information

EX10C704B-N Extreme Environment Camera 1/3 in. hi-res color, 500TVL, 3.6 mm lens, NTSC	EX10C704B-N
EX10C706B-N Extreme Environment Camera 1/3 in. hi-res color, 500TVL, 6 mm lens, NTSC	EX10C706B-N
EX10C712B-N Extreme Environment Camera 1/3 in. hi-res color, 500TVL, 12 mm lens, NTSC	EX10C712B-N
EX10C704B-P Extreme Environment Camera 1/3 in. hi-res color, 500TVL, 3.6 mm lens, PAL	EX10C704B-P
EX10C706B-P Extreme Environment Camera 1/3 in. hi-res color, 500TVL, 6 mm lens, PAL	EX10C706B-P
EX10C712B-P Extreme Environment Camera 1/3 in. hi-res color, 500TVL, 12 mm lens, PAL	EX10C712B-P
EX10M404B-N Extreme Environment Camera 1/3 in. hi-res day/night, 540/540TVL, 3.6 mm lens, NTSC	EX10M404B-N
EX10M406B-N Extreme Environment Camera 1/3 in. hi-res day/night, 540/540TVL, 6 mm lens, NTSC	EX10M406B-N
EX10M412B-N Extreme Environment Camera 1/3 in. hi-res day/night, 540/540TVL, 12 mm lens, NTSC	EX10M412B-N
EX10M404B-P Extreme Environment Camera 1/3 in. hi-res day/night, 540/540TVL, 3.6 mm lens, PAL	EX10M404B-P
EX10M406B-P Extreme Environment Camera 1/3 in. hi-res day/night, 540/540TVL, 6 mm lens, PAL	EX10M406B-P
EX10M412B-P Extreme Environment Camera 1/3 in. hi-res day/night, 540/540TVL, 12 mm lens, PAL	EX10M412B-P
EX10MX404B-N Extreme Environment Camera 1/3 in. extended day/night, 540/540TVL, 3.6 mm lens, NTSC	EX10MX404B-N
EX10MX406B-N Extreme Environment Camera 1/3 in. extended day/night, 540/540TVL, 6 mm lens, NTSC	EX10MX406B-N

Ordering Information

EX10MX412B-N Extreme Environment Camera 1/3 in. extended day/night, 540/540TVL, 12 mm lens, NTSC	EX10MX412B-N
EX10MX404B-P Extreme Environment Camera 1/3 in. extended day/night, 540/540TVL, 3.6 mm lens, PAL	EX10MX404B-P
EX10MX406B-P Extreme Environment Camera 1/3 in. extended day/night, 540/540TVL, 6 mm lens, PAL	EX10MX406B-P
EX10MX412B-P Extreme Environment Camera 1/3 in. extended day/night, 540/540TVL, 12 mm lens, PAL	EX10MX412B-P
Accessories	
BRKU10 U-type Bracket Bracket, U-type for EX10, black	BRKU10
EXPS.008 VAC Power Supply Power supply 120 VAC/ 24 VAC 1500 mA	EXPS.008
PSU-230-24 Power Supply Power Supply, 230 VAC / 24 VAC, 50 W	PSU230-24

Americas:
Bosch Security Systems, Inc.
130 Perinton Parkway
Fairport, New York, 14450, USA
Phone: +1 800 289 0096
Fax: +1 585 223 9180
security.sales@us.bosch.com
www.boschsecurity.us

Europe, Middle East, Africa:
Bosch Security Systems B.V.
P.O. Box 80002
5600 JB Eindhoven, The Netherlands
Phone: + 31 40 2577 284
Fax: +31 40 2577 330
emea.securitysystems@bosch.com
www.boschsecurity.com

Asia-Pacific:
Robert Bosch (SEA) Pte Ltd, Security Systems
38C Jalan Pemimpin
Singapore 577180
Phone: +65 6319 3453
Fax: +65 6319 3499
apr.securitysystems@bosch.com
www.boschsecurity.com

Represented by