



UP 370 T LSN Matchtec Detector, Antimask



- ▶ **Linking of passive infrared and ultrasound systems**
- ▶ **Range of 6–10 m**
- ▶ **Temperature compensation**
- ▶ **Alarm memory**
- ▶ **Programming of the detector is carried out via programming software in the corresponding LSN control panel**
- ▶ **Alarm, tampering and faults are evaluated via the LSN bus**
- ▶ **Antimasking**

The UP 370 T LSN is used to monitor rooms for unauthorized entry.

The detector reveals human movement in all directions using a passive infrared system and an ultrasound system. 10 m wide-angle version with antimasking.

Functions

The UP 370 T LSN Matchtec motion detector detects human movement in all directions using a passive infrared system (PIR) and an ultrasound system (US).

A pyroelectric sensor is positioned in the focal point of a mirror. The shape of the mirror provides an almost comprehensive monitoring area.

Temperature compensation ensures that **false alarms are suppressed**. This is realized by linking the passive infrared and ultrasound systems.

The detection zone of the detector corresponds to a maximum area of 50 m² and is limited by walls, doors, windows etc.

Detection zone settings:

- Standard: detection area 7 m x 7 m
- Reduced: detection area 5 m x 5 m

The use of several detectors in the same room is possible. Note minimum distance between detectors!

Detector system function

In disarmed status, the ultrasound transmitter is switched off. The detector acts as a passive infrared detector (PIR) in this status. Antimasking continues to function independently. The US detection system is switched back on with the walk test.

Monitoring of detector function

A self test is always conducted when adding the power supply. The detector also conducts a periodic self test. Function errors, e.g. sensor failure, are displayed as faults by the continuously lit yellow LED.

Antimasking

The antimasking (saving/non-saving) is set using the control panel software. For masking tests that limit motion detection, an antimask message is generated and, for walk tests, the masking indicator (green LED) is activated. The antimasking range is approx. 0.2 m, depending on the masking material.

In order to ensure operational reliability, sprayed detector covers must be replaced. Cleaning is not sufficient.

The **detection sensitivity** has adjustable settings.

Certifications and Approvals

Region	Certification	
Germany	VdS	G 101100, C UP 370 T LSN
Europe	CE	UP 370 T LSN

Installation/Configuration Notes

The UP 370 T LSN has a 4-wire element and requires separate auxiliary voltage. Shielded installation cable must be used to connect the detector.

Installation

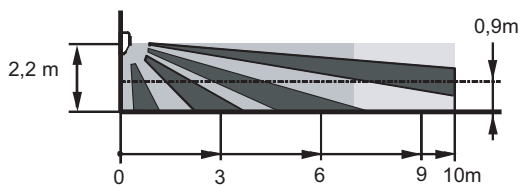
Corner and 45° installation (right/left) is possible without accessories.

An installation height of > 2.2 m is recommended for detectors with antimasking.

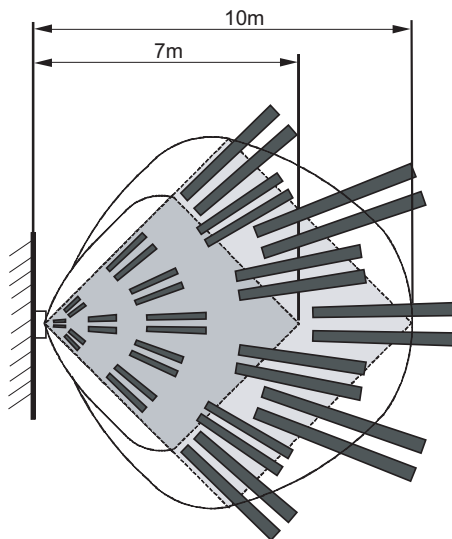
Point the detector at 2° downward for installations higher than 2.2 m.

For optimal performance, position the detector in a location where the intruder's anticipated path is at 45° to the detector axis.

Side view

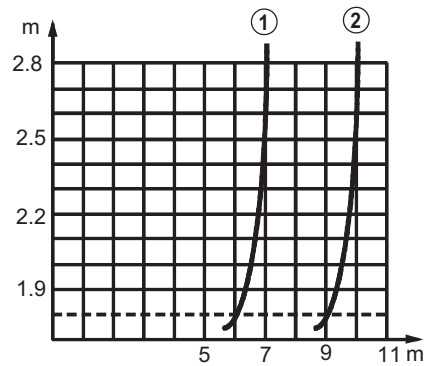


Plan view



10 m	Standard
7 m	Reduced

Installation height



- 1 US range reduced
- 2 US range standard

Distance between detectors

Several detectors may be deployed in the same room. If more than four detectors are installed opposite each other in the same room, the distance must be > 8 m.

Parts Included

Type	Qty.	Component
UP 370 T LSN	1	Matchtec motion detector

Technical Specifications

Power supply	8.0 to 28.0 VDC (12 V nom.)
Voltage monitoring	Fault at < 6.5 to 7.9 V
Current consumption (at 12 V)	
• Standby	18 mA
• Alarm with LEDs	31 mA
Current consumption of LSN part	Approx. 1.6 mA
Detection speed	0.1 to 4 m/s
Ultrasound frequency (stable crystal)	25.6 kHz
Ultrasound ON/OFF	Selectable when disarmed
Environmental conditions	
• Operating temperature	-20 °C to +55 °C
• Storage temperature	-20 °C to +60 °C
• Humidity (EN60721)	< 95% relative humidity, no dew point
• EMC strength (all systems)	30 V/m
• VdS environmental class	II
Housing	
• Dimensions (H x W x D)	170 x 70 x 63 mm
• Housing protection category	IP41
• Weight	0.22 kg

Ordering Information**UP 370 T LSN Matchtec Detector, Antimask 4998085569**

For monitoring rooms for unauthorized entry with passive infrared and ultrasound system, 10 m wide-angle version with antimasking

Americas:
Bosch Security Systems, Inc.
130 Perinton Parkway
Fairport, New York, 14450, USA
Phone: +1 800 289 0096
Fax: +1 585 223 9180
security.sales@us.bosch.com
www.boschsecurity.us

Europe, Middle East, Africa:
Bosch Security Systems B.V.
P.O. Box 80002
5600 JB Eindhoven, The Netherlands
Phone: +31 40 2577 284
Fax: +31 40 2577 330
emea.securitysystems@bosch.com
www.boschsecurity.com

Asia-Pacific:
Robert Bosch (SEA) Pte Ltd, Security Systems
11 Bishan Street 21
Singapore 573943
Phone: +65 6258 5511
Fax: +65 6571 2698
apr.securitysystems@bosch.com
www.boschsecurity.com

Represented by