

- H.264 VIDEO COMPRESION STANDARD
- 758x 540 D1@30fps
- SEAWOLF DIGITAL SIGNAL PROCESOR
- 690 TVL RESOLUTION
- SUPPORTS SD CARD BACK UP TO 32GB
- ONVIF PROTOCOL



GENERAL DESCRIPTION

The **BN2002WDRIP** is a Hybrid Box Camera (IP and analog) with the best characteristics for indoor and outdoor installations. This box camera offers high versatility thanks to its compatibility with a variety of lenses and it also makes it really useful in different projects and installations. The **BN2002WDRIP** shares with all **iPac** devices the H.264 compression standard, which guarantees a good codification of images with the best quality, the optimization of the storage and compatibility with windows media player. Its hybrid characteristic allows remote video surveillance and local configuration. Last, the **ONVIF** protocol offers all iPac devices the best compatibility and performance with different software applications. IPac line of products is complemented with our Network Video Management Solution **license free** and that allows managing and recording.

The **iPacWD** cameras have been developed to full fill all the requirements needed to provide the best quality images. With **PIXIM Digital Signal Processor, Seawolf**, all images are processed all digital end to end. Besides, with WDR function, this line of cameras provides all data needed with **the best quality images, detail and more accurate color** avoiding "camera blindness": commonly encountered in high-contrast scenes. The image quality is also maintained defeating fluorescent flicker issues. The fact of providing cleaner images results, additionally in a more efficient video compression.



OPTICAL INFORMATION

IMAGE SENSOR	1/3" Progressive Scan DPS
DIGITAL SYGNA	Seawolf DPS
PROCESSOR	
SIGNAL SYSTEM	NTSC
CAMERA TYPE	Day/Night Color
RESOLUTION	690TVL
MINIMUM ILLUMINATION	0.1 Lux(F1.2)50IRE(Color)
S/N RATIO	More than 50dB
DYNAMIC RANGE	102dB typical 120dB Max
WHITE BALANCE	AWB/push AWB/indoor/outdoor/Manual
AGC	auto/manual
BLC	On / Off
BNC	Yes
ELECTRONIC SHUTTER	Auto/manual (1/250-100,000sec)
OSD/CONTROL MODE	English, Spanish
DNR	3D
DSS	Yes
GAMMA	0,45
VIDEO OUTPUT	BNC 75 Ohm,Digital out

AUDIO

INPUT	1 Channel
OUTPUT	1 Channel
TWO-WAY AUDIO	Support
COMPRESSION	G723.1/6.3kbps,G711,AMR,RAW_P CM

LENS

FORMAT SIZE	1/3"
MOUNT TYPE	C/CS Mount
IRIS CONTROL	DC

VIDEO ENCODING

SIGNAL SYSTEM	NTSC
VIDEO OUTPUT	BNC,RJ45
COMPRESSION	H.264,MJPEG
ENCODE SPEED	20Kbps-12Mbps
ENCODE RESOLUTION	D1/30fps,CIF/25fps,QCIF/30fps
STREAM RANGE	VBR/CBR 50Kbps-4Mbps

INTERFACES

VIDEO	BNC 75ohm
ALARM INPUT	1 Channel
ALARM OUTPUT	1 Channel
NETWORK INTERFACE	RJ-45,10/100Base-t RTP/RTCP/RTSP, TCP/UDP,
NETWORK PROTOCOLS	IPv4/v6, (DHCP/Fixed)
PTZ CONTROL	
INTERFACE	RS485

ENVIRONMENTAL

OPERATING TEMPERATURE	(-10℃ ~ 50℃)
OPERATING HUMIDITY	RH90% Max. (Non-condensing)
ENVIRONMENTAL PROTECTION	N/A

MECHANICAL

DIMENSIONS	141*78*65(W*D*H)
WEIGHT	500g
VANDAL PROOF	N/A

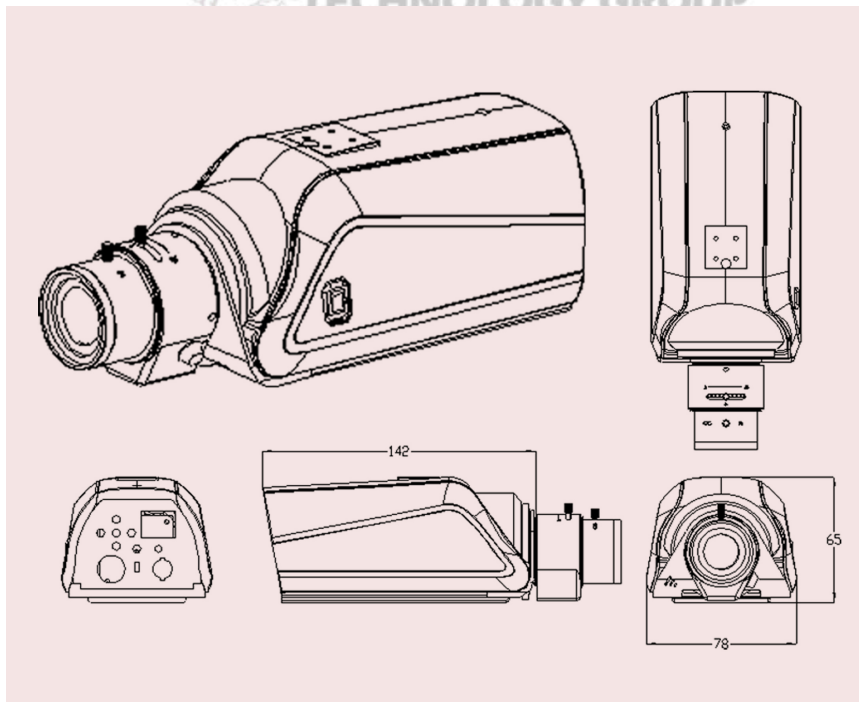
ELECTRICAL

INPUT VOLTAGE	DC12V/PoE
POWER CONSUMPTION	<5W,120mA
RECOMMENDED POWER SUPPLY	DC12V ± 5%

GENERAL

USERS	admin
WEB BROWSER	support,built in Web Server
MOTION DETECTION	support
SD CARD	Micro SD/HCSD, up to 32GB
SD CARD BACK UP	support
PoE	YES

GENERAL DIMENSIONS



ADDITIONAL ACCESORIES SUGGESTED



○ Housing
BP0022



○ Vari-Focal Auto Iris Lens

BP0019 -12 (2.8-12mm)[®]

BP0019 - 8.0 (3.5 – 8.0mm)

BP0019 – 15(6.0 – 15mm)

BP0019 – 60 (6.0 – 60mm)

BP0019 – 100 (5.0 -100mm)



○ Bracket
BP0020



○ Power supply
BP0004S