

BCD-HES-402U

4GE PoE+1GE+1G SFP Unmanaged




INTRODUCTION

The BCD-HES-402U series supports 24 ~ 48VDC redundant power input and is secured with a double protection mechanism: Power Polarity Reverse Protection and an Overload Current Fuse. The BCD-HES-402U series supports up to 4-port IEEE 802.3 af/at PoE /PoE+ ports. Each port of BCD-HES-402U has two LED's to show the link status, transmission speed, and collision status. It also provides a relay output for an event alarm.

In the event of a power failure, the built-in LED will activate the alarm to notify, administrators. Engineers can simply verify the hardware status by checking the LED to make troubleshooting quick and easy. BCD-HES-402U comes with a compact metal housing rated at IP30 to protect against dusty industrial environments.



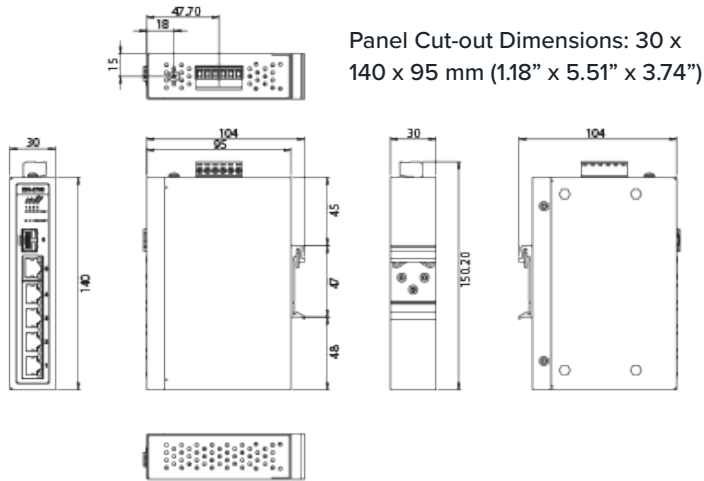
KEY FEATURES

-  Supports 10/100/1000 Mbps Auto Negotiation (EKI-2706G)
-  Supports jumbo frame transmission up to 9 kbytes
-  DIN-rail with IP30 metal mechanism
-  Redundant 24 ~ 48 VDC power input
-  Provides broadcast storm protection
-  4 x IEEE 802.3 af/at PoE /PoE+ ports + 1 x Gigabit Copper + 1 Gigabit SFPports

BCD-HES-402U

4GE PoE+1GE+1G SFP Unmanaged

Dimensions



Mechanism

Dimensions (W x H x D)

30 x 140 x 95 mm (1.18" x 5.51" x 3.74")

Enclosure

IP30, metal shell with solid mounting kits

Mounting

DIN-rail, Wall

Power

Power Consumption

Max. 2 W

Power Input

24 ~ 48 VDC

Fault Output

1 Relay Output, 1 A @ 24 VDC

Power Budget

60W

Certification

Safety

UL 60950

EMI

CE, FCC Class A

EMS

EN 61000-4-2 EN 61000-4-3 EN 61000-4-4
EN 61000-4-5 EN 61000-4-6 EN 61000-4-8

Shock

IEC 60068-2-27

Freefall

IEC 60068-2-32

Vibration

IEC 60068-2-6

Patent

<http://www.advantech.com/legal/patent>

Communications

Standard

IEEE 802.3, 802.3u, 802.3x, 802.1ab, 802.1z

LAN

5 x 10/100/1000Mbps(RJ-45)+1 x
100/1000Mbps(SFP)

Transmission Distance

Ethernet: Up to 100 m (4-wire Cat.5e,
Cat.6 RJ45 cable)
SFP: Up to 110 km (depends on SFP)

Transmission Speed

Ethernet: 10/100 Mbps Auto-Negotiation
Gigabit Copper: 10/100/1000 Mbps, Auto-
Negotiation
Gigabit Fiber: Up to 1000 Mbps

Protection

Power Reverse

Presen

Overload current

Presen

Interface

Connectors

5 x RJ-45 + 1 x SFP
6-pin removable screw terminal (power &
relay)

LED Indicators

P1, P2, P-Fail
Link / Speed / Activity

Environment

Operating Temperature

-40 ~ 75 °C (-40 ~ 167 °F)

Storage Temperature

-40 ~ 85 °C (-40 ~ 185 °F)

Operating Humidity

10 ~ 95% (non-condensing)

Storage Humidity

10 ~ 95% (non-condensing)

MTBF

1,697,086 hours