

AXIS Q6032-E PTZ Dome Network Camera

Advanced, outdoor-ready PTZ dome for demanding surveillance.



- > Outdoor-ready
- > Arctic Temperature Control
- > High Power over Ethernet
- > Extended tilt range of 20° above horizon
- > 35x optical zoom
- > Multiple H.264 streams

AXIS Q6032-E PTZ Dome Network Camera is an outdoor-ready, high-performance PTZ dome designed for quick, easy and reliable installation in demanding surveillance applications. It is ideal for use at airports and seaports, as well as for city and perimeter surveillance.

The IP66-rated AXIS Q6032-E provides cost-efficient installation since no external housing is required. Its unique Arctic Temperature Control allows the camera to not only function at -40 °C (-40 °F) but also power up at that temperature following a power failure.

AXIS Q6032-E is powered through High Power over Ethernet using the supplied High PoE midspan. Power over Ethernet simplifies installation since only one cable is needed for carrying power, as well as video and pan/tilt/zoom controls. With High PoE, the camera can operate even during a power failure as the network can be connected to an Uninterruptible Power Supply.

AXIS Q6032-E has a fast and precise pan/tilt response. In addition, it can tilt 20° above the horizon for an extended tilt range of 220°, enabling better views, especially over uneven terrain. The camera has 35x optical and 12x digital zoom. With auto-tracking, AXIS Q6032-E can automatically detect and follow a moving object within its field of view.

Day and night functionality, progressive scan and 128x wide dynamic range contribute to the camera's superb video quality. The H.264 compression format ensures that image quality is not compromised while providing great savings in bandwidth and storage use.



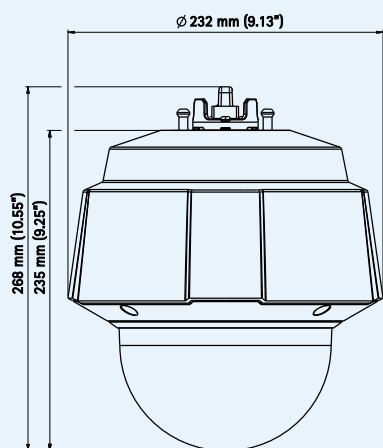
Technical specifications – AXIS Q6032-E PTZ Dome Network Camera

Camera		System integration	
Models	AXIS Q6032-E: 60 Hz (NTSC) AXIS Q6032-E: 50 Hz (PAL)	Application Programming Interface	Open API for software integration, including VAPIX® from Axis Communications available at www.axis.com
Image sensor	¼" ExView HAD Progressive Scan CCD	Intelligent video	Video motion detection, auto-tracking
Lens	3.4 – 119 mm, F1.4 – 4.2, autofocus, automatic day/night, horizontal angle of view: 1.7° – 55.8°	Alarm triggers	Intelligent video, PTZ position
Minimum illumination	Color: 0.5 lux at 30 IRE B/W: 0.008 lux at 30 IRE	Alarm events	File upload via FTP, HTTP and email Notification via email, HTTP and TCP PTZ position Local storage
Shutter time	NTSC: 1/30 000 s – 0.5 s, PAL: 1/30 000 s – 1.5 s	Video buffer	56 MB pre- and post-alarm
Pan/Tilt/Zoom	E-flip, 100 preset positions Pan: 360° endless, 0.05 – 450°/s Tilt: 220°, 0.05 – 450°/s 35x optical zoom and 12x digital zoom, total 420x zoom Guard tour Control queue	General	
Video		Casing	IP66-rated, metal casing (aluminum), acrylic (PMMA) clear dome cover pre-mounted to casing, sunshield (polycarbonate)
Video compression	H.264 (MPEG-4 Part 10/AVC) Motion JPEG	Processors and memory	ARTPEC-3, 128 MB RAM, 128 MB Flash
Resolutions	NTSC: 704x480 to 176x120, PAL: 704x576 to 176x144	Power	Camera: High Power over Ethernet, max. 50 W Midspan (included): AXIS T8124 High Power over Ethernet Midspan 1-port 100-240 V AC, max. 60 W
Frame rate H.264	Up to 30/25 (NTSC/PAL) fps in all resolutions	Connectors	RJ-45 for 10BASE-T/100BASE-TX IP66-rated RJ-45 connector kit included
Frame rate Motion JPEG	Up to 30/25 (NTSC/PAL) fps in all resolutions	Local storage	SD/SDHC memory card slot (Card is not included)
Video streaming	Multi-stream H.264 and Motion JPEG: 3 simultaneous, individually configured streams in max. resolution at 30/25 (NTSC/PAL) fps; more streams if identical or limited in frame rate/resolution Controllable frame rate and bandwidth VBR/CBR H.264	Operating conditions	Camera unit: -40 °C to 50 °C (-40 °F to 122 °F) Arctic Temperature Control enables camera start-up at temperatures as low as -40 °C (-40 °F)
Image settings	Wide Dynamic Range (WDR), Electronic Image Stabilization (EIS), manual shutter time, compression, color, brightness, contrast, sharpness, rotation, aspect ratio correction Text and image overlay, privacy mask, image freeze on PTZ	Approvals	EN 55022 Class B, EN 55024, EN 61000-3-2, EN 61000-3-3, EN 61000-6-1, EN 61000-6-2, FCC Part 15 Subpart B Class B, VCCI Class B, C-tick AS/NZS CISPR22, ICES-003 Class B, EN 60950-1 Midspan: EN 60950-1, GS, UL, cUL, CE
Network		Weight	3.5 kg (7.7 lb.)
Security	Password protection, IP address filtering, HTTPS* encryption, IEEE 802.1X* network access control, digest authentication, user access log	Included accessories	AXIS T8124 High PoE Midspan 1-port, IP66-rated RJ-45 connector kit, clear and smoked dome cover, sunshield, Installation Guide, CD with User's Manual, recording software, installation and management tools, Windows decoder 1-user license
Supported protocols	IPv4/v6, HTTP, HTTPS*, QoS Layer 3 DiffServ, FTP, SMTP, Bonjour, UPnP, SNMPv1/v2c/v3 (MIB-II), DNS, DynDNS, NTP, RTSP, RTP, TCP, UDP, IGMP, RTCP, ICMP, DHCP, ARP, SOCKS		

*This product includes software developed by the OpenSSL Project for use in the OpenSSL Toolkit. (www.openssl.org)

More information is available on www.axis.com

Dimensions



Optional accessories

AXIS T91A Brackets



AXIS 295 Video Surveillance Joystick



AXIS T90A Illuminators



For information on AXIS Camera Station and video management software from Axis' Application Development Partners, see www.axis.com/products/video/software/