

AXIS 295 Video Surveillance Joystick

*Easy joystick control of Axis PTZ
and dome network cameras*

The Video Surveillance Joystick is a USB device specifically designed to provide the network video industry with responsive and accurate control of pan/tilt/zoom and dome cameras. Featuring a three-axis Hall-effect joystick, twelve programmable push-buttons and USB interface, the Video Surveillance Joystick integrates seamlessly with any video surveillance software platform recognizing joystick inputs via Microsoft's DirectX.

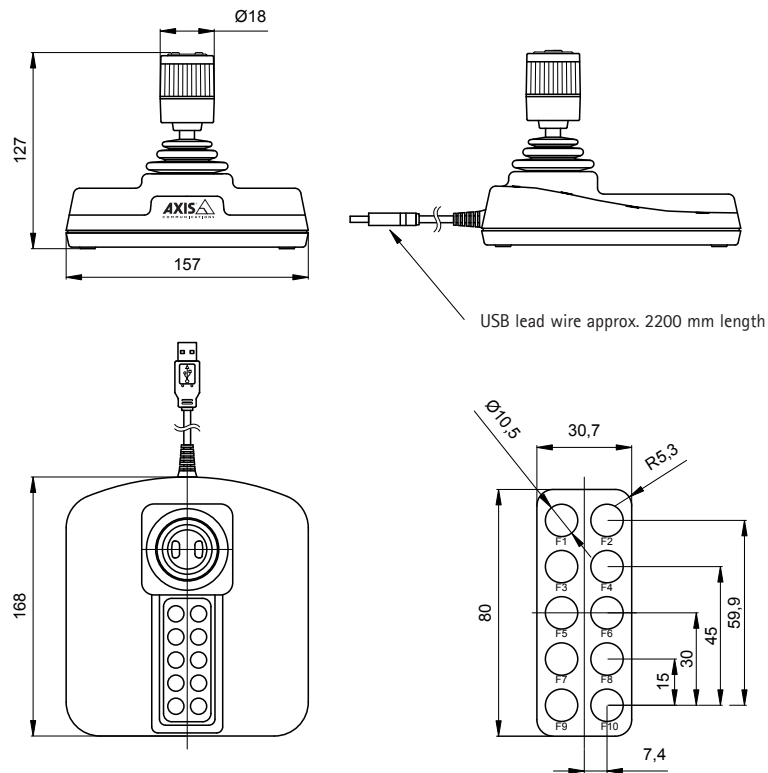


- Easy to install and configure using USB interface
- Durable high quality joystick (Hall-effect)
- Cost-efficient solution for control of PTZ and dome cameras
- X/Y-axis for positioning and turning handle for zoom
- Twelve programmable push-buttons, 2 on handle and 10 on base housing

AXIS 295 Video Surveillance Joystick

Specifications			
Connection	USB port, connected directly to the workstation/PC. Uses the standard Direct X drivers	System integration support	Windows XP, 2003 and 2000
Joystick specification	Hall-effect joystick with three axes: - X/Y: for camera view positioning - Z: for zoom in and out Twelve programmable push-buttons, 2 on handle and 10 on base housing Joystick Travel: X/Y-Axes: $\pm 18^\circ$ Z-Axis: $\pm 40^\circ$ Centering: Single spring, omni-directional Housing: high impact ABS Handle: high impact glass reinforced nylon Boot: thermoplastic rubber Shaft: stainless steel Suitable for right- and left-handed use	Application support	AXIS Camera Station 2.10 and above Selected AXIS Partner software applications* AXIS Media Control when controlling PTZ cameras via Internet Explorer. *See www.axis.com/adp_partners.htm for more software applications via partner
Connectors	USB A	Supported protocols	USB 2.0**, Direct X (Gaming control)
Power	Via USB interface (5V DC) Supply current: 32mA	Accessories (included)	Blank text sheets for push-buttons, Plastic cover for text sheet
Operating conditions	Operating temperature: -25°C to 85°C	Applications (not incl.)	Supported by Axis PTZ video products with firmware version 4.40 or later
		Approvals	EN55024:1998 EN55022 FCC Part 15 Subpart B, Class B
		Dimensions (HxWxD) and weight	157 x 168 x 127 mm (6.18" x 6.61" x 5.00") 440 g

**Backwards compatible with USB 1.x



All measurements in millimetres