

# AXIS 206/207 Vandal-Resistant Housing

## *Protect AXIS 206/207 Network Cameras from vandals*

AXIS 206/207 Vandal-Resistant Housing provides a tamper-resistant solution for indoor security applications using AXIS 206/207 Network Cameras. It is an ideal solution for prisons, schools, institutions and government facilities.

Made of cast aluminum, the housing has high impact resistance and tamper-resistant screws, with side and top cable access ports. The surface-mount housing is designed for quick and simple installation.



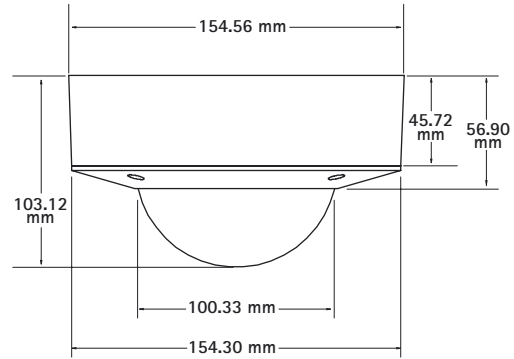
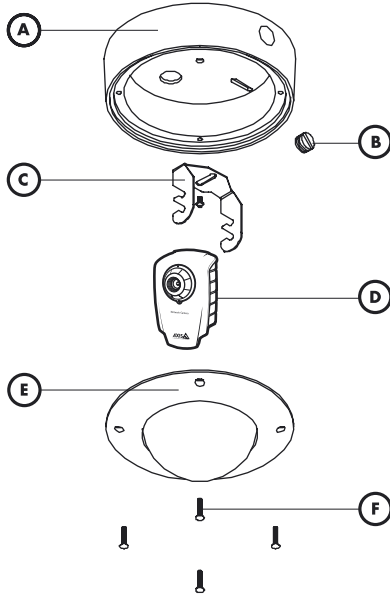
- Detention grade housing
- Impact-resistant dome and tamper-resistant screws
- Cast aluminum construction with side and top cable access ports

# AXIS 206/207 Vandal-Resistant Housing



## Specifications

<b>Mechanical Properties</b>	Upper unit: Cast aluminum Lower unit: Cast aluminum trim ring with polycarbonate dome Hardware: Heavy-gauge steel construction with black powder-coat finish	<b>Dimensions and Weight</b>	Height: 4.06 in, 10.31 cm Width: 6.075 in, 15.43 cm Unit Weight: 3.0 lbs, 1.36 kg Shipping Weight: 3.7 lbs, 1.39 kg
------------------------------	--	------------------------------	--



- A, B Side and top cable access ports, screw
- C Camera mount
- D Extensive camera and lens options
- E Impact-resistant dome
- F Tamper-resistant screws

[www.axis.com](http://www.axis.com)