

# ConteraCMR® NVR Appliance

20TB Max Storage 24 Max Channel Count Cloud Managed Recorder with Dual NIC or Single NIC and Built-in 8 and 16 Port PoE Switch



AV Costar™ ConteraCMR® NVR Appliance is designed to offer powerful IP recording in an affordable, compact chassis. The NVR Appliance is available in two configurations — A dual NIC standard NVR or a single NIC with an on-board 8 or 16 channel PoE switch. With a capacity of 24 channels, the NVR Appliance supports Plug and Play connection with AV Costar and ONVIF cameras, or RTSP video streams. With full integration to ConteraWS Web Services,

the NVR Appliance offers centralized user management, single sign-on convenience, mobile apps and a web client that allows for easy remote connection to your recorders. Network setup is fast and easy using ConteraWS Web Services, and eliminates the need for port forwarding or DDNS. The ConteraCMR NVR Appliance runs on a secure Linux® OS and comes preloaded with ConteraVMS® Server software as a turn key solution.



### Centralized User Management

ConteraWS provides secure storage of all user profile information, allowing role-based management for hundreds of users and device permissions.



### Health Monitoring

Cloud-based health monitoring ensures your cameras and recorders are working properly and minimum recording retention levels are being met.



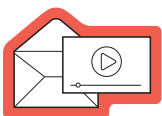
### Alerts and Reports

ConteraWS grants insight into operational events at recorder locations and provides valuable business intelligence based on customer or employee activity.



### Single Sign-on

Log into ConteraWS Web Services, ConteraVMS, and Arecont Vision Mobile using the same email address and password.



### Clip Sharing

Export video clips to the cloud so they cannot be overwritten or lost. Share video clips via email with password protection.

### Series Features

- Cloud Management with ConteraWS
- ConteraVMS Ready
- Cloud Video Export and Sharing
- 2, 4, 6, 8, 12, 16, or 20TB Storage Capacity
- 2 Hard Disk Drives (HDDs)
- Linux OS
- Built-in PoE Switch
- Dual NIC or Single NIC with 8 and 16 Port Built-in PoE Switch
- 24 Max Channel Count
- IP Channel Upgrades
- Solid State OS Drive (SSD)
- Intel® Celeron® Processor
- 3-Year Hardware Warranty
- 1-Year Advanced Replacement

<sup>1</sup> 24 channels can be achieved on PoE switch models by using multi-sensor cameras, or by connecting a switch to one of the PoE ports.

## Recorder Specifications

Model		AV-CV	AV-CVP08	AV-CVP16
<b>Recording</b>	Max IP Channels	24		
	Max IPS Per Channel	30IPS (dependent on camera settings)		
	Built-in PoE Ports	None	8	16
	Recording Resolutions	Up to 12MP (dependent on camera settings)		
	Recording Rate	100Mbps		
	Maximum Display Resolution	4K		
	Image Compression	H.264		
<b>Connections</b>	Video Outputs	2 x HDMI (Multi-monitor display is not supported)		
	USB Ports	<b>Front:</b> 1 x USB 3.0 <b>Rear:</b> 2 x USB 3.0		
<b>Software</b>	Video Signal Loss Detection	Yes		
	Motion Detection	AV Costar camera side or ONVIF Profile S server side		
	Remote Operation	ConteraVMS thick client / thin (web) client / mobile apps		
	User Management	Web or local based user permissions and account management		
	Recording Mode	Continuous / Motion / Continuous + Motion		
	Playback Search	Multi-channel playback (1, 4, 9) / Calendar / Timeline / Thumbnail / Event (VMS and web client)		
	Clip Backup	Cloud / Network / USB		
	Digital Signature Support	AVI and JPG		
	Web Connect	Yes		
	Operating System	Linux		

## General

<b>Network</b>	<b>Dual NIC</b>	Dual gigabit NICs
	<b>PoE</b>	Single gigabit NIC + 8 or 16 Port PoE Switch
<b>Keyboard and Mouse</b>	Included	
<b>DVD Drive</b>	N/A	
<b>PoE Switch Load</b>	<b>8CH</b>	120W
	<b>16CH</b>	200W
<b>Operating Temperature</b>	32°F ~ 104°F (0°C ~ 40°C)	
<b>OS Drive Configuration</b>	eMMC SSD	
<b>Storage Configuration</b>	<b>Dual NIC</b>	Up to 20TB
	<b>8CH PoE</b>	Up to 16TB
	<b>16CH PoE</b>	Up to 20TB
<b>Mounting Hardware</b>	Rack mount installation kit included	
<b>Warranty</b>	3 Years, 1 year advanced replacement	
<b>System Control</b>	Keyboard, mouse (included)	

## Compliance

<b>IP Camera Support</b>	AV Costar / ONVIF Profile S / RTSP
<b>Certification</b>	UL certified, CE, FCC
<b>CoO</b>	Made in Taiwan

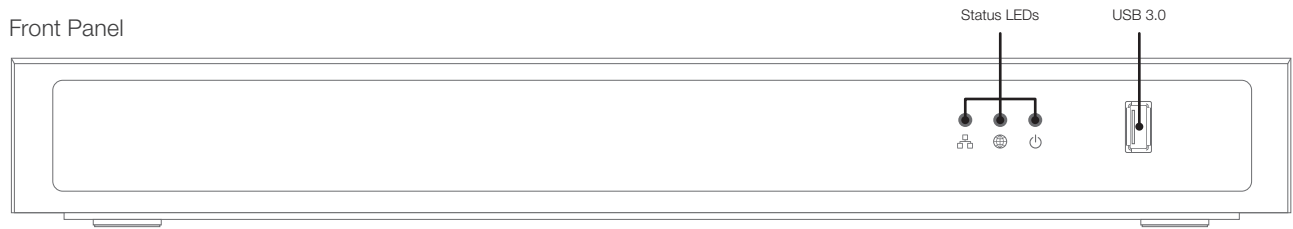
## Electrical

<b>Power Consumption</b>	<b>Dual NIC</b>	40W max
	<b>8CH PoE</b>	160W max
	<b>16CH PoE</b>	240W max
<b>Power Supply</b>	<b>Dual NIC</b>	60W external (Input: 100-240V, 2.0A, 50/60Hz)
	<b>8CH PoE</b>	200W internal (Input: 100-240VAC, 3.5A, 50-60Hz)
	<b>16CH PoE</b>	280W internal (Input: 100-240VAC, 6.3A, 50-60Hz)

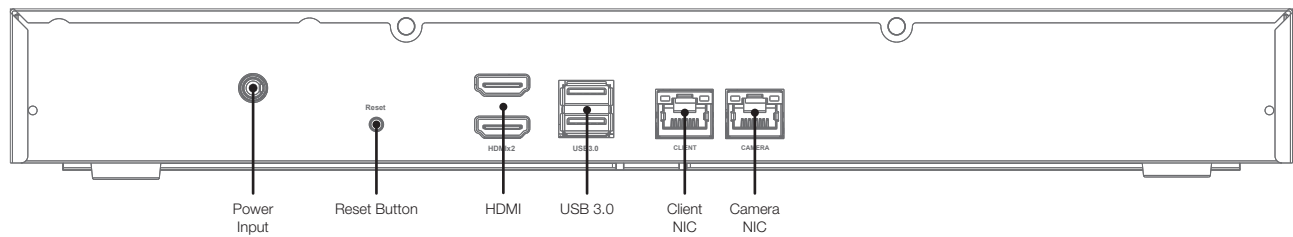
## Mechanical

<b>Dimensions</b> <i>(See Dimensions)</i>	<b>Unit</b>	14.4" W (366mm) x 1.8" H (46mm) x 12.6" L (316mm)	
	<b>Packaged</b>	22" W (558.8mm) x 8" H (203.2mm) x 22" L (558.8mm)	
<b>Weight</b>	<b>Dual NIC</b>	<b>Unit</b>	8.2lbs (1.59kg)
		<b>Packaged</b>	18lbs (8.16kg)
	<b>8CH PoE</b>	<b>Unit</b>	8.6lbs (1.59kg)
		<b>Packaged</b>	18lbs (8.16kg)
	<b>16CH PoE</b>	<b>Unit</b>	9lbs (2.27kg)
		<b>Packaged</b>	18lbs (8.16kg)

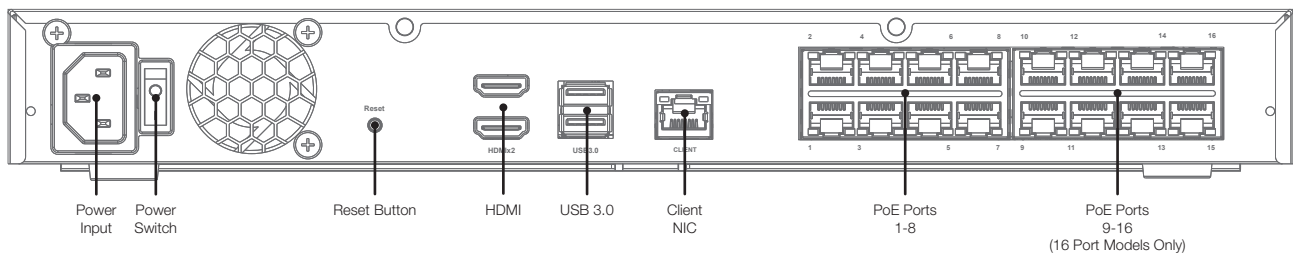
## Controls and Connections



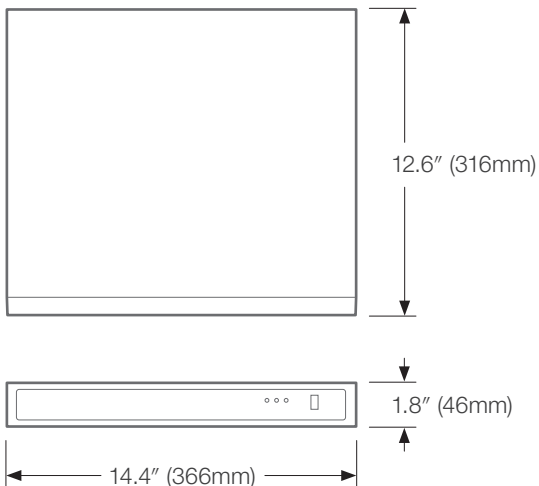
Rear Panel - Dual NIC



Rear Panel - Single NIC + PoE Switch



## Dimensions



See Next Page for Ordering Information



## Configurations



Dual NIC

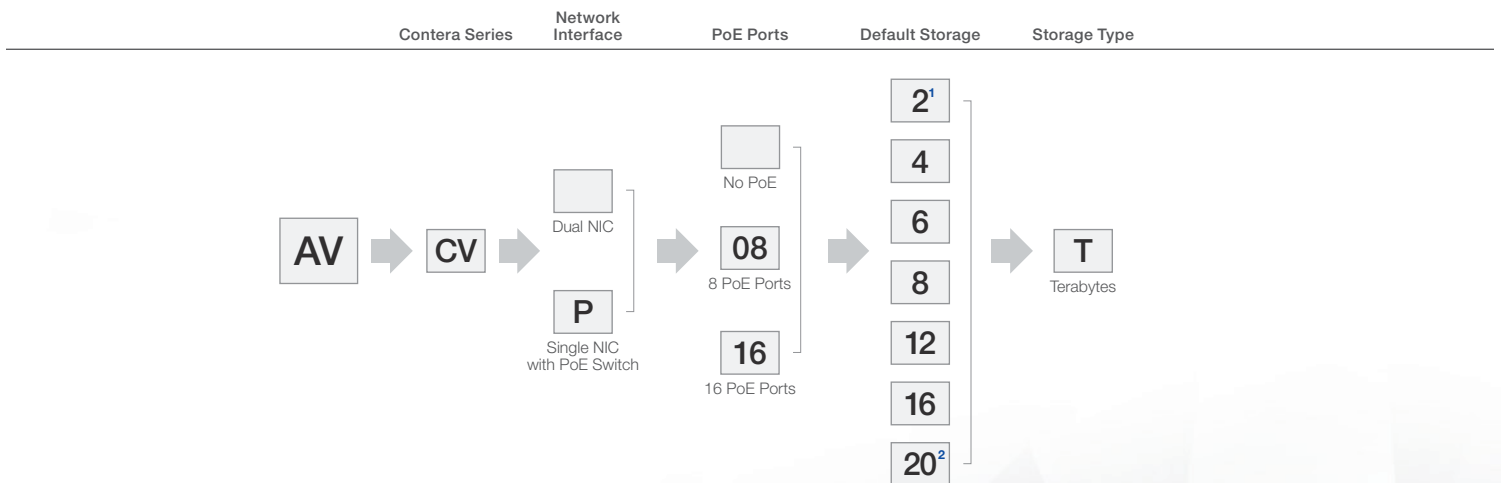


Single NIC with Built-in  
8 or 16 Port PoE Switch

## Model Numbers

Configuration	Model Numbers
Dual NIC	AV-CV-04T
	AV-CV-06T
	AV-CV-08T
	AV-CV-12T
	AV-CV-16T
	AV-CV-20T
PoE 8 CH	AV-CVP08-2T
	AV-CVP08-4T
	AV-CVP08-6T
	AV-CVP08-8T
	AV-CVP08-12T
	AV-CVP08-16T
PoE 16 CH	AV-CVP16-4T
	AV-CVP16-6T
	AV-CVP16-8T
	AV-CVP16-12T
	AV-CVP16-16T
	AV-CVP16-20T

Create Your Model (Example: AV-CVP16-20T)



<sup>1</sup> 8 PoE port models only  
<sup>2</sup> Dual NIC and 16 PoE port models only



+1.818.937.0700 | [www.avcostar.com](http://www.avcostar.com) | [avsales@arecontvision.com](mailto:avsales@arecontvision.com)

© 2021 Arecont Vision Costar, LLC. All rights reserved. Arecont Vision, Contera, ConteraCMR, ConteraVMS, and ConteraWS are registered trademarks of the company. AV Costar and the AV Costar logo are business use trademarks of the company.

Rev 003.001



## Software and Service Licenses

Part Number	Description
<b>ConteraVMS</b>	
<b>ConteraVMS Software Licenses</b>	
AV-CST1	ConteraVMS Standard 1 Channel Recording License
AV-CPM1	ConteraVMS Premium 1 Channel Recording License
AV-CPR1	ConteraVMS Professional 1 Channel Recording License
<b>ConteraVMS Software Expansion Licenses</b>	
AV-CST1-EXP	ConteraVMS Standard 1 Channel Expansion Recording License
AV-CPM1-EXP	ConteraVMS Premium 1 Channel Expansion Recording License
AV-CPR1-EXP	ConteraVMS Professional 1 Channel Expansion Recording License
<b>ConteraVMS Software Upgrade Licenses</b>	
AV-CSUBAPM	ConteraVMS Standard to Premium 1 Channel License Upgrade
AV-CSUPMPR	ConteraVMS Premium to Professional 1 Channel License Upgrade
<b>ConteraWS</b>	
<b>ConteraWS (Web Services) Access License Including Software Updates</b>	
AV-CWS1Y	ConteraWS 1 Year 1 Channel Access License
AV-CWS3Y	ConteraWS 3 Year 1 Channel Access License
AV-CWS4Y	ConteraWS 4 Year 1 Channel Access License
AV-CWS5Y	ConteraWS 5 Year 1 Channel Access License
<b>ConteraWS (Web Services) Cloud Storage Expansion</b>	
AV-CWS1Y50GB	ConteraWS 50GB Cloud Storage Expansion (1 Year)