



ML15/ML17

Advanced Technology Video, Inc.



Professional High Resolution LCD Monitor

- NTSC and PAL in composite video ,Y/C, and RGB
- 2 BNC, 1 Y/C, and 1 VGA inputs
- Long life backlight
- High brightness & contrast ratio
- On screen menus with text displayed in 6 language choices
- Wide variety of optional mounting brackets
- Professional color LCD monitor with PC input displays
- Thin and lightweight, rugged metal cabinets
- Full set of video controls, flexible input connections
- VESA wall mount compatible

LCD Monitors

ML15/ML17 SPECIFICATIONS

MODELS

ML1500CN	15" high resolution Color LCD flat panel
ML1700CN	17" high resolution Color LCD flat panel

ELECTRICAL

LCD Panel	ML1500CN 15.0 inches TFT LCD Panel	ML1700CN 17.0 inches TFT LCD Panel
Active Display Area (Diagonal)	15.0 inches	17.0 inches
Pixel Format	1024 (H) x 768 (V), RGB vertical stripe	1280 (H) x 1024 (V), RGB vertical stripe
Pixel Pitch	0.297mm x 0.297mm	0.264mm x 0.264mm
Color Depths	8 Bit / 16M Colors	8 Bit / 16.2M Colors
Contrast Ratio	400 : 1 (Typical)	350 : 1 (Typical)
Brightness	250 cd/ (Typical)	250 cd/ (Typical)
Viewing Angles (L/R/U/D)	65/65/45/60 (Typical)	75/75/65/60 (Typical)
Light Source / Lifetime	2CCFL / 40,000Hrs (Minimum)	4CCFL / 40,000Hrs (Minimum)

Response Time

ML1500CN	25ms	ML1700CN	25ms
----------	------	----------	------

VIDEO

Video Mode	NTSC/PAL (Auto selection)
Scanning Method	Digital progressive scan (Still/Progressive mode)

Video Input Signals

Composite	1.0Vp-p, 75-ohms
S-Video	Luminance: 1.0 Vp-p, 75-ohms Chrominance 0.3 Vp-p, 75-ohms

Video Input Connector

Composite	BNC x 2
S-Video	4 Pin Mini-Din x 2
Termination	75, Auto termination
Audio Input Connector	RCA x 2 (Stereo)
Audio Output	0.5W x 2
Resolution	More than 500 Lines

PC

Input Signal	Analog RGB (0.714 Vp-p, 75), H & V Sync(TTL)
Input Connector	15 pin D-sub
Input Resolution	VGA : 640 x 480 / 60 ~ 75Hz SVGA : 800 x 600 / 56 ~ 75Hz XGA : 1024 x 768 / 60 ~ 75Hz

VGA 640 x 480 60 ~ 75Hz
SVGA 800 x 600 56 ~ 75Hz
XGA 1024 x 768 60 ~ 75Hz
SXGA 1280 x 1024 60Hz

Plug & Play

DDC 2B

GENERAL

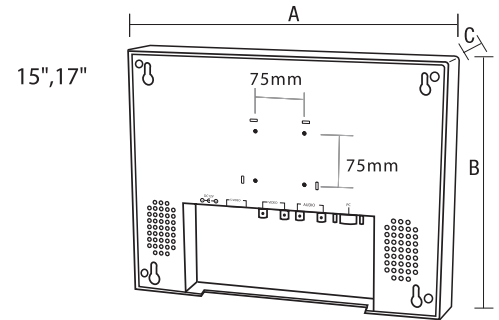
User Controls	Bright, Contrast, Tint, Color, Sharpness, etc	
OSD Language	English / French / German / Italian/ Spanish / Polish	
Power Requirement	12VDC, 2.5A	12VDC, 3.8A
Power Consumption	34 Watts (Maximum) / 2 Watts (Power Saving)	51 Watts (Maximum) / 2 Watts (Power Saving)
DC Power Connector	Barrel, 5.5 / 2.1 mm (+ Center)	
AC Power Connector	IEC-320 Male, 100 - 240VAC	
Dimensions (W H D)	13.75" x 11.25" x 1.7" (349.2 mm x 285.7 mm x 43 mm)	15.7" x 13.2" x 1.95" (398 mm x 334 mm x 49.5 mm)
Weight	5.9lbs (2.7kg)	8.8lbs (4kg)
Operating Temperature	0° ~ +40° C (32° - 104° F)	
Storage Temperature	0° ~ +50° C (32° - 122° F)	
Case Color	Black	
Case Material	Aluminum	
Accessories	AC Adapter, VGA cable, Power Cord, Manual, Driver Diskette	

OPTIONAL ACCESSORIES

ACSB775E	15" and 17" LCD Wall Mount, Black
ACSW775E	15" and 17" LCD Wall Mount, White
ASR115	15" AML1500CN Rack mount kit
ASR117	17" AML1700CN Rack mount kit

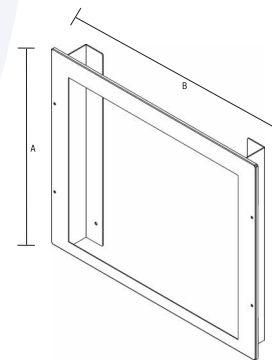
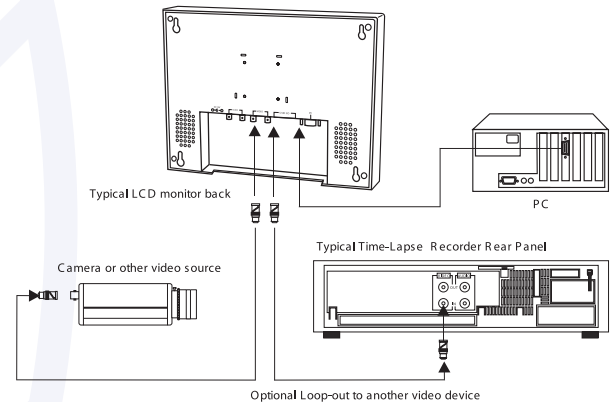
Specifications are subject to change without notice.

DIMENSIONS



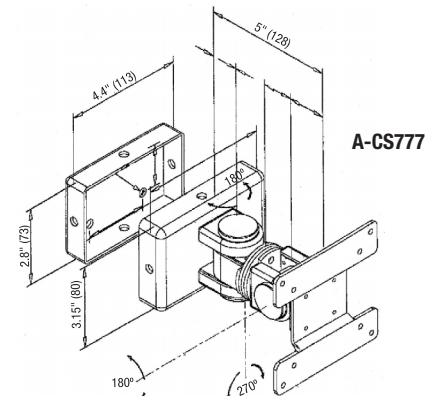
	A	B	C
ML15	13.75"	11.25"	1.70"
ML17	15.70"	13.20"	1.95"

APPLICATION DIAGRAM



Rack Mount Kit

	A	B
RMK15	12.21"	19"
RMK17	16.50"	19"



Advanced Technology Video, Inc.
10940 NE 33rd Place, Suite 101, Bellevue, WA 98004
888/228-7644 Fax 425/284-2952
www.atvideo.com