



L100 SCAND Electronic lock with Standard RFID-Reader



Product description

- Communication from hub via RS485 bus to the Online Access Control System (addressable) - access decision in the EAC system
- Main electronics inside - Reader element outside including emergency battery connector and indication LED's
- Intelligence split structure enables extreme temperature range (-40°C to +65°C)
- Outside handle controlled by electronics - Inside handle always engaged (request to exit sensor included)
- Integrated sensors for bolt and door position
- Possibility to store up to 10 emergency cards (only used in case of disconnection from the hub)
- LED for status visualisation

Accessories/Individual parts

- Programming application tool
- Battery
- Lock spindle








Compatible ASSA ABLOY products

- AH13 1-to-1 Standard Aperio™ RS485 communication hub
- AH30 1-to-8 Standard Aperio™ RS485 communication hub
- AH15 1-to-1 Standard Wiegand Aperio™ Wiegand interface communication hub
- AH20 1-to-1 Advanced Wiegand Aperio™ Wiegand interface communication hub

Scope of delivery

- 1 lock with batteries (Lithium AA FR6) and installation instructions
- 1 reader element including inside and outside unit
- Screws, flexible cables, drilling template and spindles (depends on version)

Technical data - Electronic lock with Standard RFID-Reader

	Approvals (CERTIFICATION=)	CE, EN179, EN1125, EN1634/1*in progress
	Dimensions	Lock 150 x 95 x 19,5 (H x W x D), Reader inside 167,8 x 48 x 20 / outside 101,8 x 43,7 x 15 (H x W x D)
	Door Type (DOOR TYPE=)	Standard or narrow doors
	Door Swing Direction (DIRECTION=)	Left / Right
	Backset	Standard doors (50 mm); narrow doors (35 mm)
	Distance/ Spindle (DISTANCE=)	Distance standard doors 105 mm / narrow doors 115 mm, spindle 8 mm
	Front plate	22 mm
	Door Thickness (DOOR THICKNESS=)	Door Thickness - Spindle lengths in (): 47/50 (40- 54 mm); 57/50 (47/66 mm); 67/60 (61-80 mm); 74/50 (66-80 mm); 120/120 (88-100 mm); 80/50 (70-87 mm)
	Battery	2 x Lithium AA (FR6)
	Battery life	> 50,000 cycles (for max. 3 years)
	Radio standard	IEEE 802.15.4 (2.4 GHz)
	Encryption (radio communication)	AES 128 bits
	Distance between the RFID-Reader and hub	Typical range of 15 m or 45 m depending on the hub type and building environments
	Class of protection	IP 44 inside / IP 55 outside
	Operating temperature range	10°C bis 65°C inside / -40°C bis 65°C outside
	Humidity	< 85% (condensation-free)
	Status	LED (red/green/orange)
	Door status	Position (open/closed); Bolt position (secured/unsecured)



MIFARE™
CLASSIC / DESFire™

MIFARE™
CLASSIC / PLUS

EM410x



Wireless lock technology expanding access control systems

L100 SCAND Electronic Lock with RFID-Reader Plate



Product description

- Communication from hub via RS485 bus to the Online Access Control System (addressable) - access decision in the EAC system
- Main electronics inside - Reader element outside including emergency battery connector and indication LED's
- Intelligence split structure enables extreme temperature range (-40°C to +65°C)
- Outside handle controlled by electronics - Inside handle always engaged (request to exit sensor included)
- Integrated sensors for bolt and door position, mechanical key override
- Possibility to store up to 10 emergency cards (only used in case of disconnection from the hub)
- LED for status visualisation

Accessories/Individual parts

- Programming application tool
- Battery
- Lock spindle

Compatible ASSA ABLOY products

- AH13 1-to-1 Standard Aperio™ RS485 communication hub
- AH30 1-to-8 Standard Aperio™ RS485 communication hub
- AH15 1-to-1 Standard Wiegand Aperio™ Wiegand interface communication hub
- AH20 1-to-1 Advanced Wiegand Aperio™ Wiegand interface communication hub

Scope of delivery

- 1 lock with batteries (Lithium AA FR6) and installation instructions
- 1 reader element including inside and outside unit
- Screws, flexible cables, drilling template and spindles (depends on version)

Technical data - Electronic Lock with RFID-Reader Plate

	Approvals (CERTIFICATION=)	CE, EN179, EN1125, EN1634/1*in progress
	Dimensions	Lock 150 x 95 x 19,5 (H x W x D), Reader inside 167,8 x 48 x 20 / outside 101,8 x 43,7 x 15 (H x W x D)
	Door Type (DOOR TYPE=)	Standard doors
	Door Swing Direction (DIRECTION=)	Left / Right
	Backset	Standard doors (50 mm)
	Distance/ Spindle (DISTANCE=)	Distance standard doors 105 mm, spindle 8 mm
	Front plate	22 mm
	Door Thickness (DOOR THICKNESS=)	Door Thickness - Spindle lengths in (): 47/50 (40- 54 mm); 57/50 (47/66 mm); 67/60 (61-80 mm); 74/50 (66-80 mm); 120/120 (88-100 mm); 80/50 (70-87 mm)
	Plate finish (FINISH=)	Stainless steel brushed (ST), Chrome* in progress
	Battery	2 x Lithium AA (FR6)
	Battery life	> 50,000 cycles (for max. 3 years)
	Radio standard	IEEE 802.15.4 (2.4 GHz)
	Encryption (radio communication)	AES 128 bits
	Distance between the RFID-Reader and hub	Typical range of 15 m or 45 m depending on the hub type and building environments
	Class of protection	IP 44 inside / IP 55 outside
	Operating temperature range	10°C bis 65°C inside / -40°C bis 65°C outside
	Humidity	< 85% (condensation-free)
	Status	LED (red/green/orange)
	Door status	Position (open/closed); Bolt position (secured/unsecured)



MIFARE™
CLASSIC / DESFire™


MIFARE™
CLASSIC / PLUS

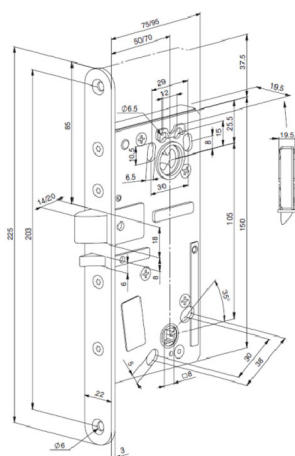
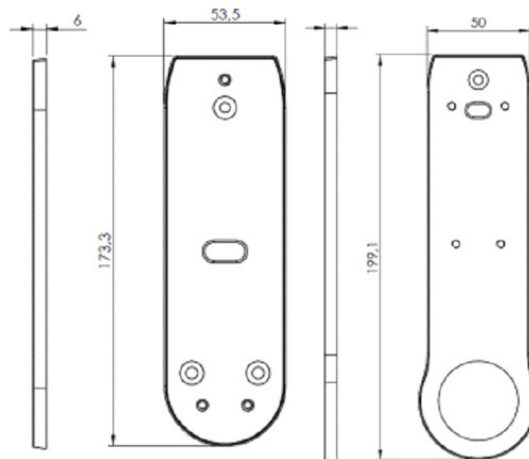
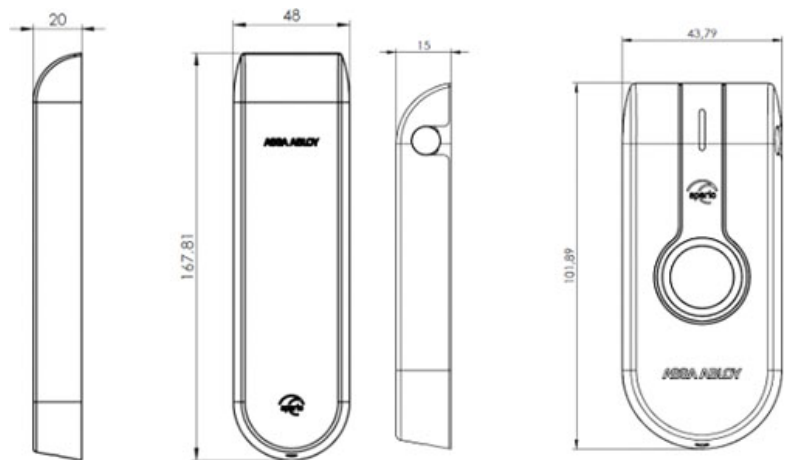
EM410x

ASSA ABLOY Access Control
School Street
Willenhall
West Midlands
WV13 3PW
United Kingdom
Phone: 0845 070 6222
Email: aperio@assaabloyuk.com

Scandinavian profile

L100 SCAND Electronic Lock with RFID-Reader Plate

	RFID Technology	iCLASS®/ISO 14443B; MIFARE™ classic; MIFARE™ plus; MIFARE™ DESFire™ EV1; HID PROX/ EM410x
	RFID reading	UID / Sektor / Block / Application / File
	Scanning range	< 4 cm



ASSA ABLOY Access Control
School Street
Willenhall
West Midlands
WV13 3PW
United Kingdom
Phone: 0845 070 6222
Email: aperio@assaabloyuk.com

Scandinavian profile