

Bracket Series

For Camera's and Housings

- Aesthetic design
- Wide range to suit most applications
- Unique locking system
- Rigid construction



→ CBCM 170

The CBCM 170 is manufactured from die cast aluminium and features a compact, elegant design. The ability to run cables within the internal cavity adds to the aesthetic design and also assists where vandalism could be a consideration. The solid structure, the zinc plated steel ball swivel, make this bracket suitable to hold small internal housings.

The CBCM 170 has a white epoxy powder coating in RAL 9002.

→ CB 140/190 - CCB 190 & TCB 300

The die cast aluminium bracket has a black epoxy powder coating. It is equipped with a unique spring positioning system which allows the camera to be securely positioned without locking it.

→ MBC & MBW monitor brackets

MBW and MBC monitor brackets are made of black polyester coated steel. The bracket uses telescopic components which allows adjustment in both vertical and horizontal directions.

Two models are available; wall mount (MBW) and ceiling mount (MBC). Each version is available in 3 different monitor sizes (see table) to fit monitors from 9" to 24".

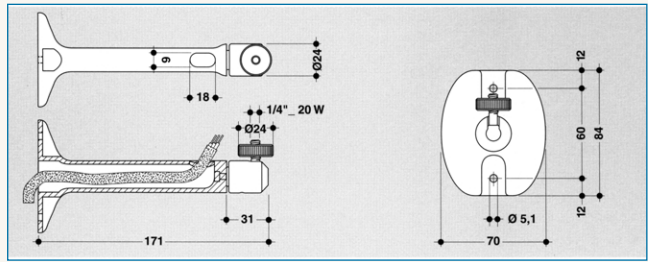
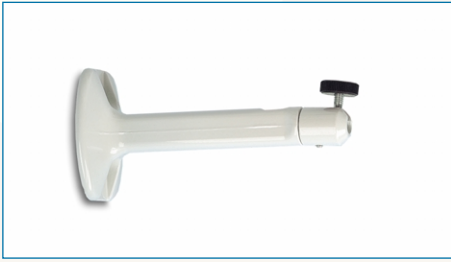
→ PA2

PA2 pole mount consists of two cast aluminium jaws with a black polyester powder coating for the bracket holder and allows the assembly of two opposite brackets.

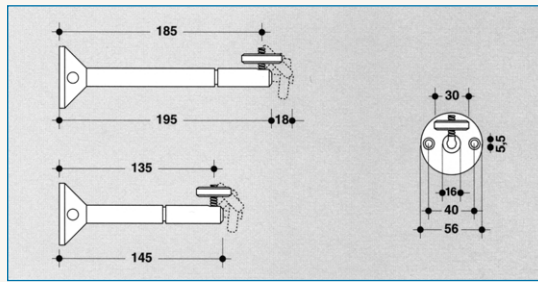
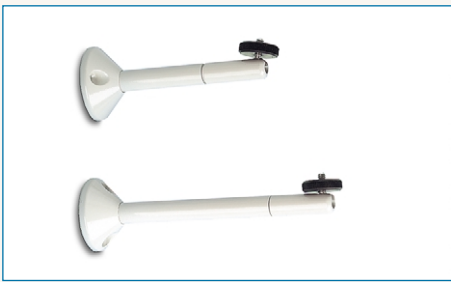
The pole mount has suitable holes for the assembly with our housing brackets. The design is such that it is possible to mount on poles with diameters between 50 and 140 mm. A suitable range of screws is delivered with the PA2.

The aesthetic design and wide choice of brackets within the Aritech range means that the majority of applications can be fulfilled.

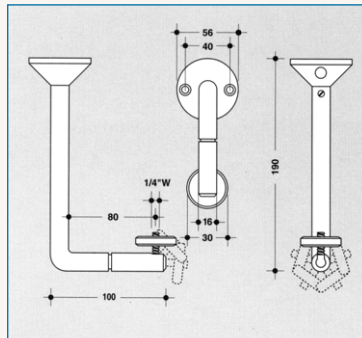
CBCM 170



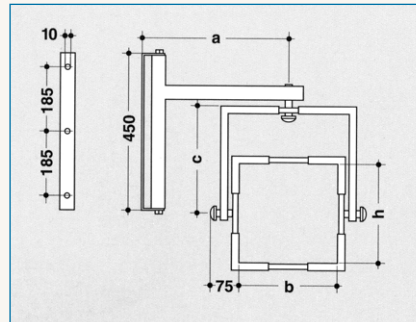
CB 140/190



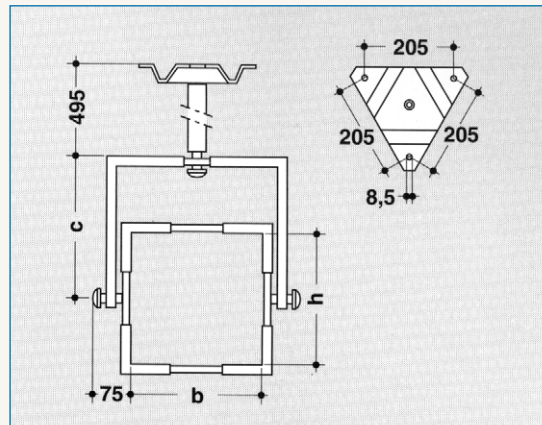
CCB 190



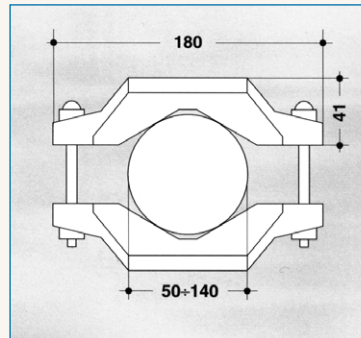
MBW 9-12



MBC 9-12 / 12-17 / 17-24



PA2



Bracket Series

→ How to order

CBM 170	Wall mounted camera bracket with cable management for CCTV cameras and small sized housings
CB 140	Wall mounted camera bracket fixed for CCD cameras - 140 mm length
CB 190	Wall mounted camera bracket fixed for CCD cameras - 190 mm length
TCB 300	Wall mounted camera bracket telescopic for CCD cameras
CCB 190	Ceiling mounted camera bracket for CCD cameras - 190 mm length
MBW 9-12	Wall mounted monitor bracket for 9" to 12" monitors
MBW 12-17	Wall mounted monitor bracket for 12" to 17" monitors
MBW 17-24	Wall mounted monitor bracket for 17" to 24" monitors
MBC 9-12	Ceiling mounted monitor bracket for 9" to 12" monitors
MBC 12-17	Ceiling mounted monitor bracket for 12" to 17" monitors
MBC 17-24	Ceiling mounted monitor bracket for 17" to 24" monitors
PA2	Pole adaptor for up to two housing brackets

Interlogix UK Limited

Unit 5, Ashton Gate,
Ashton Road, Harold Hill,
Romford, Essex RM3 8UF
Tel. 01708-381496
Fax 01708-381371

www.aritech.com

Interlogix Ireland Limited


Taurus Business Centre
Greenhills Road
Tallaght, Dublin 24
Tel. 01-459.97.60
Fax 01-452.74.48

Interlogix Europe & Africa

Headquarters
Excelsiorlaan 28
B-1930 Zaventem
Tel. 02-725 11 20
Fax 02-721 40 47

Sales Offices : Austria, Baltic States, Belgium, Czech Republic, Denmark, Eastern Europe, France, Germany, Greece, Hungary, Ireland, Italy, Netherlands, Norway, Poland, Portugal, Slovak Republic, South Africa, Spain, Sweden, U.K.

LFBrackets 03 Rev.2 0701/UK

 Aritech reserves the right to change specifications without notice.
Aritech is a trademark of Interlogix B.V.