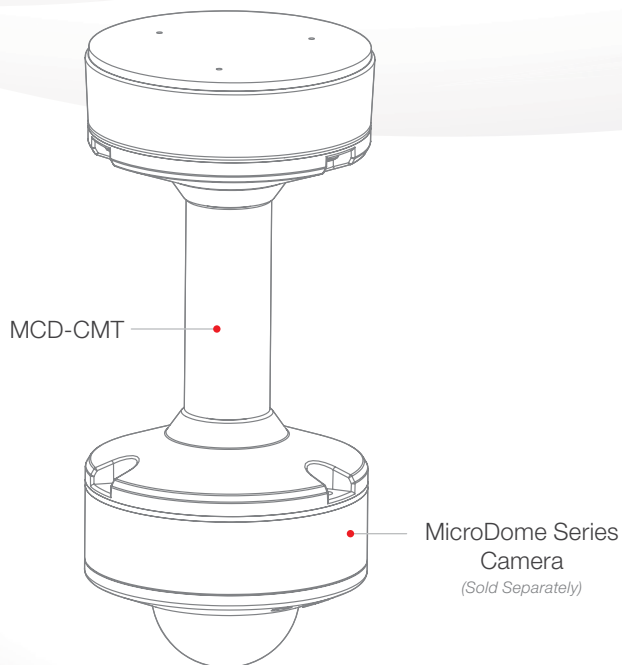


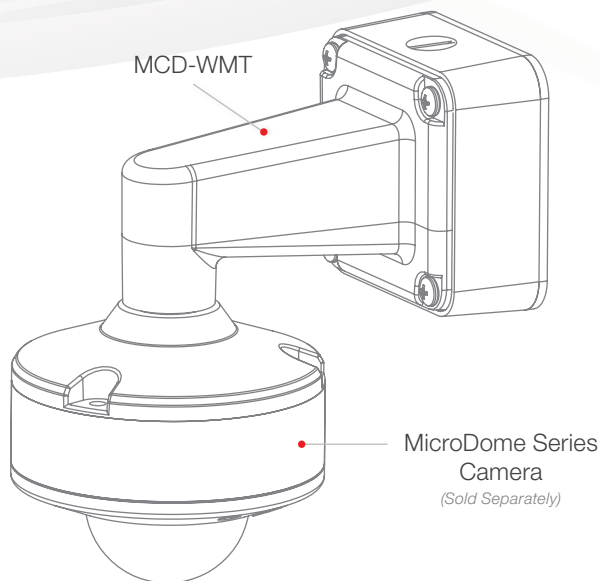
MicroDome® Series Accessories

Accessories for MicroDome and MicroDome G2 Indoor/Outdoor Ceiling, Wall, and Corner Mounting Solutions

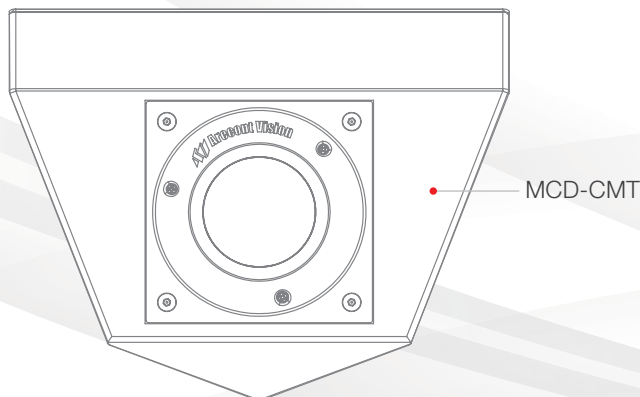
Ceiling Mount Configuration



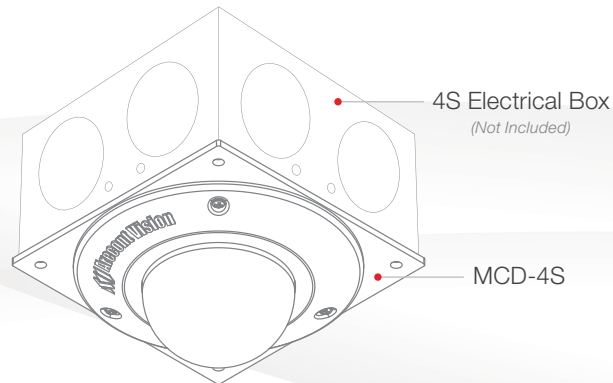
Wall Mount Configuration



Corner Mount Configuration



Electrical Box Configuration



Model Compatibility

1.2 Megapixel	1.3 Megapixel	1080p	1080p WDR	3 Megapixel	3 Megapixel WDR	5 Megapixel
AV1555DN-S	AV1455DN-S	AV2555DN-S	AV2556DN-S	AV3555DN-S	AV3556DN-S	AV5555DN-S
		AV2455DN-S	AV2456DN-S	AV3455DN-S	AV3456DN-S	AV5455DN-S



MCD-CMT

Pendant Mount



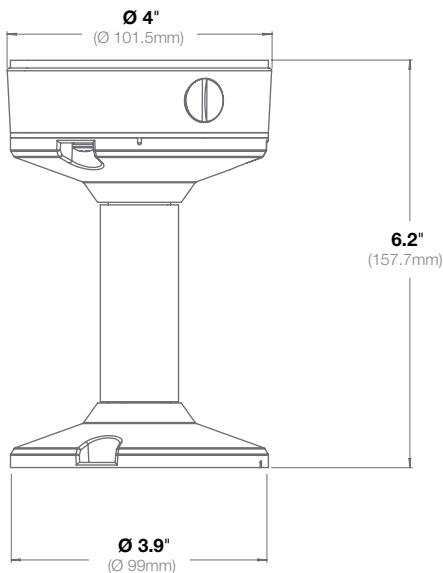
Features:

- Easy Installation and Superior Design
- Heavy Duty Enclosure Protection for Applications in Harsh Environments
- Die-Cast Aluminum is Resistant to Impact and Salt Damage

Compatibility	Compatible with 1/2" NPT standard
	Works with MicroDome Series surface mount domes (-S)

Environmental	Enclosure Protection	IP66 weather proof standard
	Protection Grade	Impact resistant, IK-10 rated

Mechanical	Casing Material	Aluminum
	Color	Ivory (Pantone® Cool Gray 1C)
	Dimensions	See Dimensional Drawings Below
	Weight	w/o Camera 0.46lbs (0.21kg)



MCD-WMT

Wall Mount



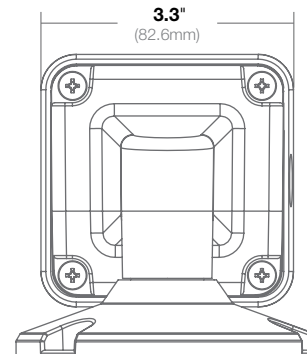
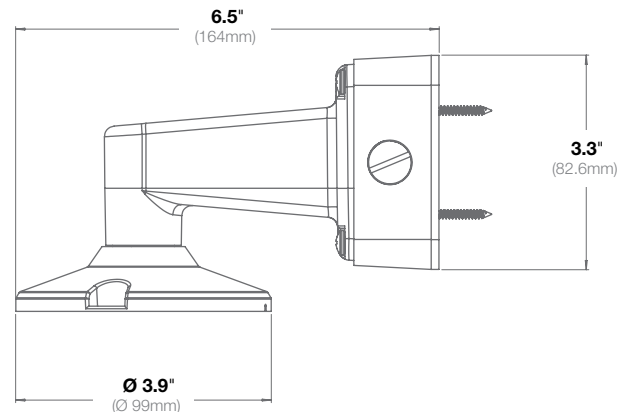
Features:

- Easy Installation and Superior Design
- Heavy Duty Enclosure Protection for Applications in Harsh Environments
- Die-Cast Aluminum is Resistant to Impact and Salt Damage

Compatibility	Compatible with 1/2" NPT standard
	Works with MicroDome Series surface mount domes (-S)

Environmental	Enclosure Protection	IP66 weather proof standard
	Protection Grade	Impact resistant, IK-10 rated

Mechanical	Casing Material	Aluminum
	Color	Ivory (Pantone® Cool Gray 1C)
	Dimensions	See Dimensional Drawings Below
	Weight	w/o Camera 0.54lbs (0.25kg)



MCD-CRMT

Corner Mount



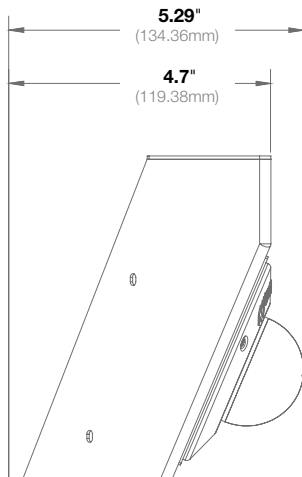
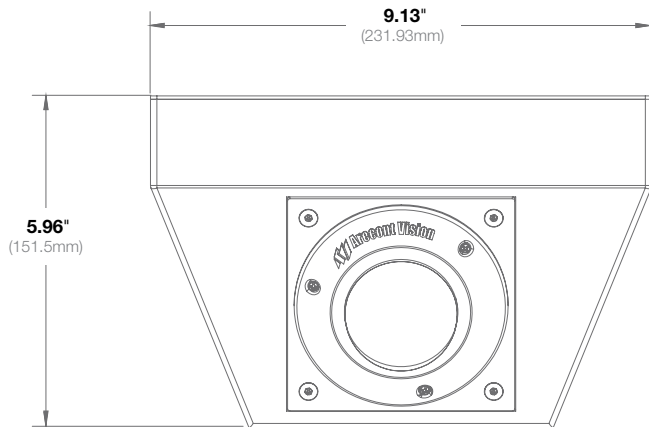
Features:

- Easy Installation and Superior Design
- "No-Grip" Design
- Heavy Duty Enclosure

Compatibility Works with MicroDome Series (-S models only)

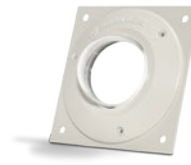
Environmental	Enclosure Protection	IP66 weather proof standard
	Protection Grade	Impact resistant, IK-10 rated

Mechanical	Casing Material	Aluminum
	Color	Ivory (Pantone® Cool Gray 1C)
	Dimensions	See Dimensional Drawings Below
	Weight	w/o Camera 0.37lbs (0.168kg)



MCD-4S

Electrical Box Surface Mount Cover



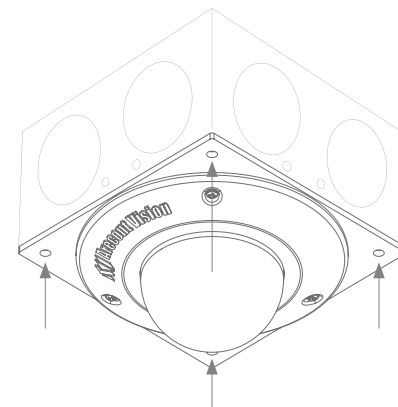
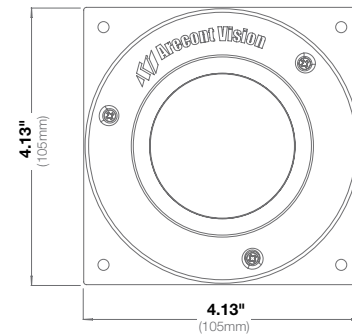
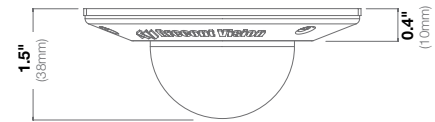
Features:

- Easily Install a MicroDome Surface Model Inside an Electrical Box
- Heavy Duty Enclosure Protection for Applications in Harsh Environments
- Die-Cast Aluminum is Resistant to Impact and Salt Damage

Compatibility Works with MicroDome Series surface mount domes (-S models only) in conjunction with 3rd party 4-inch square box* 2-1/8 inch deep.

Mechanical	Casing Material	Aluminum
	Color	Ivory (Pantone® Cool Gray 1C)
	Dimensions	4.13" L (105mm) x 4.13" W (105mm) x 1.5" H (38mm)
	Weight	w/o Camera 0.18lbs (0.08kg)

*Verify fit as dimensions vary between manufactures



Quick Installation:

Attach the MCD-4S Mount Cover to a 4-inch square box (user supplied) with the supplied hardware.



MCD-EBA

Electrical Box Adapter



Hole Patterns For:

- Single Gang
- Double Gang
- 4" Square
- 4" Octagonal

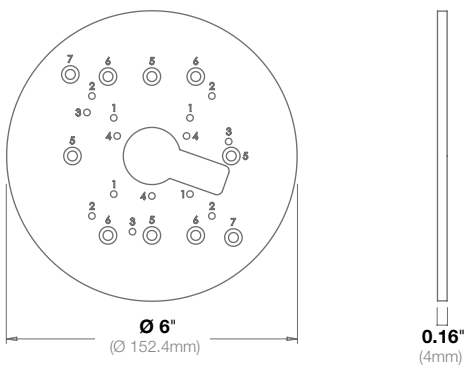
Compatibility Works with MicroDome Series (-S models only)

Environmental

Enclosure Protection	IP66 weather proof standard
Protection Grade	Impact resistant, IK-10 rated

Mechanical

Casing Material	Aluminum
Color	Ivory (Pantone® Cool Gray 1C)
Dimensions	See Dimensional Drawings Below
Weight	w/o Camera 0.12lbs (0.05kg)



Hole No.	Model Compatibility
1	MCD-WMT Box
2	MCD-WMT Arm
3	MicroDome -S
5	Single Gang Box
6	Double Gang Box
7	4S Box

Quick Installation:

1. Pass cables through the center hole of the adapter plate.
2. Attach the adapter plate to the electrical box (sold separately) using the appropriate hardware and mounting holes.
3. Attach the compatible part noted above.