

# Environmental Housing

## Outdoor IP67 Vandal Proof Housing

HSG1-O-W Housing with Heater, Blower and Wall Mount



Megapixel Camera Accessories

*The HSG1 environmental housing provides excellent protection for the entire MegaVideo® line of Arecont Vision cameras. Combining this high quality indoor/outdoor housing with the superior imaging of AV cameras provides the perfect solution for environments that require protection from the elements.*

### Arecont Vision Advantages:

#### Superior Solution for Various Environments

- Designed for Indoor or outdoor applications

#### Excellent Enclosure Protection

- Waterproof complies with the IP67 standard

#### Vandal Resistant

- Die-cast aluminum, resistant to impact and salt damage
- 6mm tempered glass cover

#### Compatibility

- Designed to house the entire line of MegaVideo® cameras

#### Easy Installation

- Side opening, easy to install a camera

#### Other key features:

- Light ivory powder coating
- Internal cable management
- Cable feed through wall mount included
- Sunshield (SS-HSG1) sold separately
- Heater and blower (24 VAC) and more

*Designed to House the Entire Line of Color and Day/Night MegaVideo® Cameras*

Learn more about our products at [www.arecontvision.com](http://www.arecontvision.com)

# Specifications

# HSG1-O-W

Outdoor IP67 vandal proof housing

**Model Numbers:**  
HSG1-O-W

### Mechanical

- Housing material: Aluminum
- Color: White
- Dimensions (WxHxD): 422mm x 174mm x 145 mm (16.5" x 6.5" x 5.5")
- Wall Mount Dimensions (WxHxD): 172mm x 144 mm x 114 mm (6.5" x 5.5" x 4.5")
- Weight w/o camera:
  - Housing: 2300g (5lbs)
  - Wall Mount: 600g (1.3lbs)

### Electrical

- Power Supply: 24 VAC Heater/Blower
- Power Consumption: 25 Watts maximum

### Environmental

- Operating Temperature - 30°C (-22°F) to 50°C (122°F)
- Operating Humidity 90% RH (max)

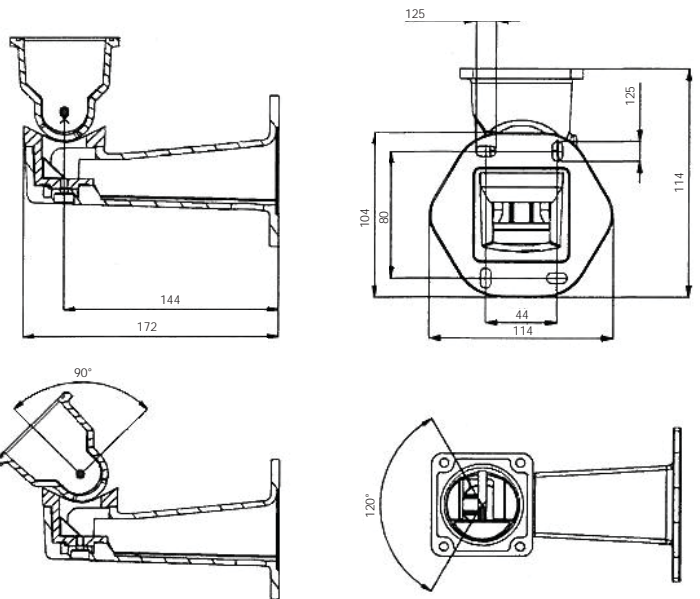
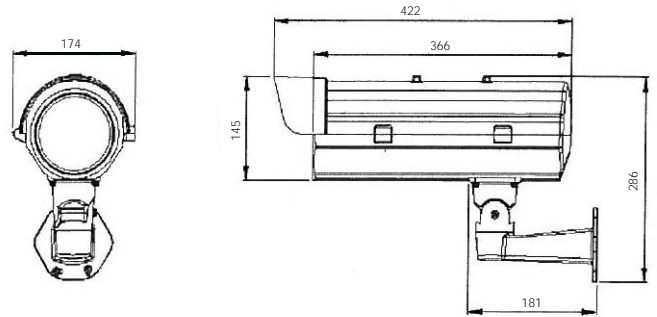
### Compatible Cameras

- AV1300M, AV1300DN, AV1300-AI
- AV1305, AV1305DN, AV1305-AI
- AV2100M, AV2100DN, AV2100-AI
- AV2105, AV2105DN, AV2105-AI
- AV3100M, AV3100DN, AV3100-AI
- AV3105, AV3105DN, AV3105-AI
- AV5100, AV5100DN, AV5100-AI
- AV5105, AV5105DN, AV5105-AI
- AV3130, AV3135

### Related Accessories



Sunshield/SS-HSG1



Revised on 09/11/08