

MegaVideo® Flex IP Megapixel Cameras

1.2, 1080p, 3, and 5 Megapixel (MP) H.264 Remote Focus True Day/Night Indoor/Outdoor Tethered IP Camera with WDR (Wide Dynamic Range) Models and Optional IR LEDs



* Sold separately

MegaVideo Flex camera series offers a cost-effective security solution for installations that require a flexible, compact design. Due to its small footprint, the MegaVideo Flex easily fits into leading automated teller machines and small areas. These indoor/outdoor cameras feature a choice of 1.2MP, 1080p, 3MP, and 5-megapixel (MP) resolution options.

Regardless of time-of-day, this true day/night camera is ideal for applications with variable lighting conditions. For challenging low-light applications, the MegaVideo Flex 1.2MP model features NightView™, making it capable of covering areas where very little light is present. Applications with bright or over saturated lighting conditions can be overcome with the optional wide dynamic range feature (available on select models).

The MegaVideo Flex comprises of the camera sensor, metal mounting bracket, USB cable, and the main unit. Installing the MegaVideo Flex is simple. The camera can be surface mounted via the supplied mounting bracket or flush mounted to a ceiling or wall with the two (2) fastening nuts. No additional mounting accessories required. For added flexibility, the USB cable allows the camera to be mounted in one area while the main unit is mounted up to 12m (40ft) away. Additionally, this camera includes both a white and a black trim ring so it easily blends into the environment.

For easy identification of events or intruders in dark applications, the main unit features two (2) USB ports to combine optional infrared illumination (sold separately). Each IR illuminator includes six (6) infrared 850nm LEDs providing up to 15m (49ft) of night vision.

These cameras are enhanced with the added convenience of remote focus to facilitate ease of set-up and future adjustments, reducing time spent at the job-site. The ability to interchange the lenses, make the flexibility of this camera unsurpassed. Lens options include: 2.1mm, 2.8mm, 4mm, 6mm, 8mm, 12mm, and 16mm.

The MegaVideo Flex camera series offers advanced streaming capabilities and are designed on an efficient H.264 encoding platform for delivering high quality video without straining the network. Power can be supplied via a single Power-over-Ethernet compliant network cable or with power from a 12-48V DC/24V AC power supply. The camera's interface allows for an intuitive, fast, and easy configuration. The Free AV IP Utility tool allows users to quickly configure multiple cameras at one time.



Series Features

- 1.2, 1080p, 3, or 5MP Models
- Camera Sensor and Main Unit can be Connected via a USB Cable up to 40ft in Length
- SNAPstream™ (Smart Noise Adaptation and Processing) capability to reduce bandwidth without impacting image quality
- True Day/Night Functionality with Mechanical IR Cut Filter
- CorridorView™ Allows 90° Image Rotation for Better Coverage in Hallways and Corridors
- Dual Encoder H.264/MJPEG
- Privacy Mask, Motion Detection, Flexible Cropping, Bit Rate Control, Multi-Streaming and Forensic Zooming
- Multiple Lens Options Available (Sold Separately)
- Remote Focus Module
- All-in-One H.264 Total Power Over Ethernet (PoE) Solution
- Ultra Low Profile Design / Small Size
- IK-10 Impact-Resistant Housing
- Strong Low Light Performance via NightView™ for 1.2MP Cameras and Binning Mode for 3MP and 5MP Cameras
- True WDR up to 100dB at Full Resolution Available in 1080p and 3MP WDR Models
- Optional IR LEDs
- Onboard Storage
- Weather Resistant from Front
- Casino Mode™ Maintains 30fps or Higher Required by Gaming Industry Regulations (1080p model)

Camera Imaging Specifications

| Model | | AV1195DN | AV2195DN | AV2196DN | AV3195DN | AV3196DN | AV5195DN |
|-----------------------------|--------------------------|--|--|--|--|---|---|
| Image Sensor (CMOS) | | 1.2MP | 1080p | 1080p | 3MP | 3MP | 5MP |
| Optical Format | | 1/3" | 1/3" | 1/3.2" | 1/3" | 1/3.2" | 1/2.5" |
| Pixel Pitch | | 3.75µm | 2.2µm | 2.2µm | 2.2µm | 2.2µm | 2.2µm |
| Minimum Illumination | Color (Day Mode) | 0.03 Lux | 0.2 Lux | 0.2 Lux | 0.2 Lux | 0.2 Lux | 0.3 Lux |
| | Color Binning (Day Mode) | - | - | - | 0.1 Lux | 0.1 Lux | 0.15 Lux |
| | B/W (Night Mode) | 0.003 Lux, IR sensitive | 0.02 Lux, IR sensitive | 0.02 Lux, IR sensitive | 0.02 Lux, IR sensitive | 0.02 Lux, IR sensitive | 0.03 Lux, IR sensitive |
| Full FOV Resolution | | 1280 H x 960 V | 1920 H x 1080 V | 1920 H x 1080 V | 2048 H x 1536 V | 2048 H x 1536 V | 2592 H x 1944 V |
| 1/4 Resolution | | 640 H x 480 V | 960 H x 540 V | 960 H x 540 V | 1024 H x 768 V | 1024 H x 768 V | 1296 H x 972 V |
| Dynamic Range | | 83.5dB | 69.5dB | WDR up to 100dB | 69.5dB | WDR up to 100dB | 70.1dB |
| Frame Rates | At Max Res. | 37fps (1280 x 960) | 30fps (1920 x 1080) | 30fps (1920 x 1080) | 21fps (2048 x 1536) | 21fps (2048 x 1536) | 12fps (2592 x 1944) |
| | Cropped | - | 42fps (1280 x 1024) | 41fps (1280 x 1024) | 30fps (1920 x 1080) 41fps (1280 x 1024) | 30fps (1920 x 1080) 41fps (1280 x 1024) | 16fps (2048 x 1536) 24fps (1920 x 1080) 44fps (1280 x 1024) |
| | Binning Mode | - | - | - | 46fps (1024 x 768) 64fps (960 x 540) | 21fps (1024 x 768) 27fps (800 x 600) 31fps (960 x 540) 32fps (640 x 512) | 27fps (1296 x 972) 37fps (1024 x 768) 48fps (960 x 540) |
| Lens* | | 2.8mm Integrated, 1/2.5", F/2.0, H-FOV = 95° | 2.8mm Integrated, 1/2.5", F/2.0, H-FOV = 83° | 2.8mm Integrated, 1/2.5", F/2.0, H-FOV = 83° | 2.8mm Integrated, 1/2.5", F/2.0, H-FOV = 89° | 2.8mm Integrated, 1/2.5", F/2.0, H-FOV = 89° | 2.8mm Integrated, 1/2.5", F/2.0, H-FOV = 113° |

*2.8mm standard lens

SituationalPlus™

| Model | Lens | View Angle | Distance to pixel density (ft.)(m) | | |
|-------------|----------|------------|------------------------------------|----------------|----------------|
| | | | 30ppf (98ppm) | 60ppf (197ppm) | 90ppf (295ppm) |
| AV1195DN | MPM2.8A | 95° | 19' (5.8m) | 9.5' (2.9m) | 6' (1.8m) |
| | MPM2.1 | 130° | - | - | - |
| AV1195DN-NL | MPM4.0A | 67° | 32' (9.8m) | 16' (4.9m) | 10.5' (3.2m) |
| | MPM6.0 | 46° | 49.5' (15.1m) | 25' (7.6m) | 16' (4.9m) |
| | MPM8.0 | 35° | 65.5' (20m) | 34' (10.4m) | 22' (6.7m) |
| | MPM12.0A | 23° | 105' (32m) | 50' (15.2m) | 35' (10.7m) |
| | MPM16.0 | 17° | 145' (44.2m) | 70' (21.3m) | 47' (14.3m) |
| AV2195DN | MPM2.8A | 83° | 35' (10.7m) | 16.5' (5m) | 9' (2.7m) |
| | MPM2.1 | 113° | 17.5' (5.3m) | - | - |
| AV2195DN-NL | MPM4.0A | 59° | 55' (16.8m) | 27' (8.2m) | 17' (5.2m) |
| | MPM6.0 | 40° | 85' (25.9m) | 43' (13.1m) | 28' (8.5m) |
| | MPM8.0 | 30° | 120' (36.6m) | 59' (18m) | 39' (11.9m) |
| | MPM12.0A | 20° | 180' (54.9m) | 90' (27.4m) | 60' (18.3m) |
| | MPM16.0 | 15° | 240' (73.2m) | 122' (37.2m) | 81' (24.7m) |
| AV2196DN | MPM2.8A | 83° | 35' (10.7m) | 16.5' (5m) | 9' (2.7m) |
| | MPM2.1 | 113° | 17.5' (5.3m) | - | - |
| AV21956N-NL | MPM4.0A | 59° | 55' (16.8m) | 27' (8.2m) | 17' (5.2m) |
| | MPM6.0 | 40° | 85' (25.9m) | 43' (13.1m) | 28' (8.5m) |
| | MPM8.0 | 30° | 120' (36.6m) | 59' (18m) | 39' (11.9m) |
| | MPM12.0A | 20° | 180' (54.9m) | 90' (27.4m) | 60' (18.3m) |
| | MPM16.0 | 15° | 240' (73.2m) | 122' (37.2m) | 81' (24.7m) |
| AV3195DN | MPM2.8A | 89° | 34' (10.4m) | 15.5' (4.7m) | 8' (2.4m) |
| | MPM2.1 | 121° | 15' (4.6m) | - | - |
| AV3195DN-NL | MPM4.0A | 63° | 55' (16.8m) | 26.5' (8.1m) | 16.5' (5m) |
| | MPM6.0 | 43° | 86' (26.2m) | 42.5' (13m) | 27.5' (8.4m) |
| | MPM8.0 | 33° | 114.5' (34.9m) | 56' (17.1m) | 37.5' (11.4m) |
| | MPM12.0A | 22° | 174.5' (53.2m) | 87' (26.5m) | 58' (17.7m) |
| | MPM16.0 | 16° | 243' (74.1m) | 121' (36.9m) | 81' (24.7m) |
| AV3196DN | MPM2.8A | 89° | 34' (10.4m) | 15.5' (4.7m) | 8' (2.4m) |
| | MPM2.1 | 121° | 15' (4.6m) | - | - |
| AV31956N-NL | MPM4.0A | 63° | 55' (16.8m) | 26.5' (8.1m) | 16.5' (5m) |
| | MPM6.0 | 43° | 86' (26.2m) | 42.5' (13m) | 27.5' (8.4m) |
| | MPM8.0 | 33° | 114.5' (34.9m) | 56' (17.1m) | 37.5' (11.4m) |
| | MPM12.0A | 22° | 174.5' (53.2m) | 87' (26.5m) | 58' (17.7m) |
| | MPM16.0 | 16° | 243' (74.1m) | 121' (36.9m) | 81' (24.7m) |
| AV5195DN | MPM2.8A | 113° | 27' (8.2m) | 12' (3.7m) | 5' (1.5m) |
| | MPM2.1 | - | - | - | - |
| AV5195DN-NL | MPM4.0A | 80° | 51' (15.5m) | 24.5' (7.5m) | 15' (4.6m) |
| | MPM6.0 | 56° | 80' (24.4m) | 40' (12.2m) | 26' (7.9m) |
| | MPM8.0 | 42° | 114' (34.7m) | 56' (17.1m) | 36' (11m) |
| | MPM12.0A | 28° | 175' (53.3m) | 86' (26.2m) | 57' (17.4m) |
| | MPM16.0 | 20° | 245' (74.7m) | 122' (37.2m) | 81' (24.7m) |

Programmability

| | |
|-----------------------------------|--|
| Optics | M12 lens and remote focus module |
| Low Light Performance | NightView™ Mode 1.2MP models |
| | Pixel Binning Mode 3MP and 5MP models |
| Picture-in-Picture | Simultaneous delivery of full field-of-view and zoomed images |
| Programmable Shutter Speed | Controls motion blur, 1ms – 500ms |
| Motion Detection | Real-time, 1024 detection zones |
| Privacy Masking | Unlimited |
| Casino Mode™ | Maintains 30fps or higher (AV2195 model) |
| SNAPstream™ | Smart Noise Adaptation and Processing |
| Flexible Cropping | Resolution windowing down to 1x1 pixel for JPEG and 2x2 pixels for H.264 |
| Backlight Compensation | Custom white balance |
| Flicker Control | 50/60Hz selectable |
| Image Rotation | CorridorView™ (90°, 180° and 270° image rotation) |
| Wide Dynamic Range | Auto switch control adjustment between WDR and LDR modes (WDR models) |
| Noise Reduction | Low light noise filter control |
| Efficiency | Bit rate and bandwidth limitation control |
| | Bandwidth and storage savings by running at 1/4 resolution |
| Sharpness | Selectable enhancement level |
| Miscellaneous | Programmable resolution, brightness, saturation, gamma, tint |
| | Electronic pan, tilt, zoom (PTZ) |

Data Transmission

| | |
|--------------------------|---|
| Compression Type | H.264 (MPEG-4, Part 10)/Motion JPEG 21 levels of quality |
| Network Protocols | RTSP, RTP/TCP, RTP/UDP, HTTP, DHCP, TFTP, QoS, IPv4, IPv6, 802.1x |
| Network Interface | 100Base-T Ethernet |
| Multi-Streaming | 8 non-identical streams |

Compliance

| | |
|--------------------------|--|
| Industry Standard | ONVIF Profile S and PSIA Conformant |
| Listings | UL (CB) |
| FCC Compliance | 47 CFR 15 Class A |
| Environmental | RoHS, REACH, WEEE |
| Markings | (CE) EN55022 Class A, EN55024, EN61000-3-2, EN61000-3-3, EN60950-1 |
| Mechanical | IK-10 |
| CoO | Made in the USA |

Environmental

| | |
|------------------------------|-------------------------------|
| Operating temperature | -20°C (-4°F) to +50°C (122°F) |
| Humidity | 0% to 90% (non-condensing) |
| Storage temperature | -20°C (-4°F) to +60°C (140°F) |

Electrical

| | |
|----------------------------|--|
| Alarm Input/Output | General purpose opto-coupled, 1 input / 1 output |
| Power Over Ethernet | PoE 802.3af, Class 3 |
| Power Consumption | X.XX Watts DC Power |
| Auxiliary Power | 12-48V DC/24V AC (Barrel Plug, 2.1mm I.D. x 5.5mm O.D. x 9.5mm) |

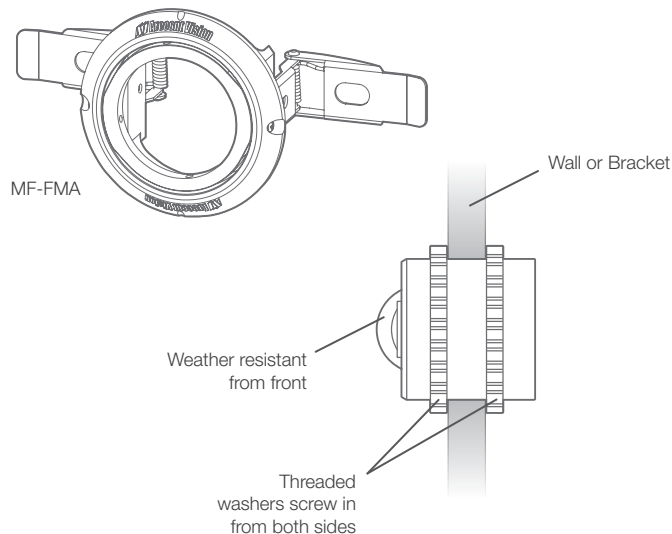
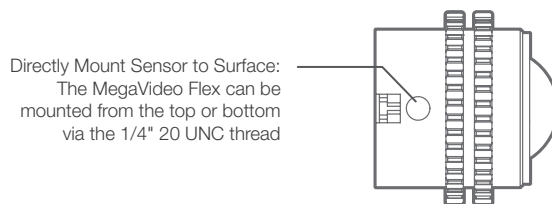
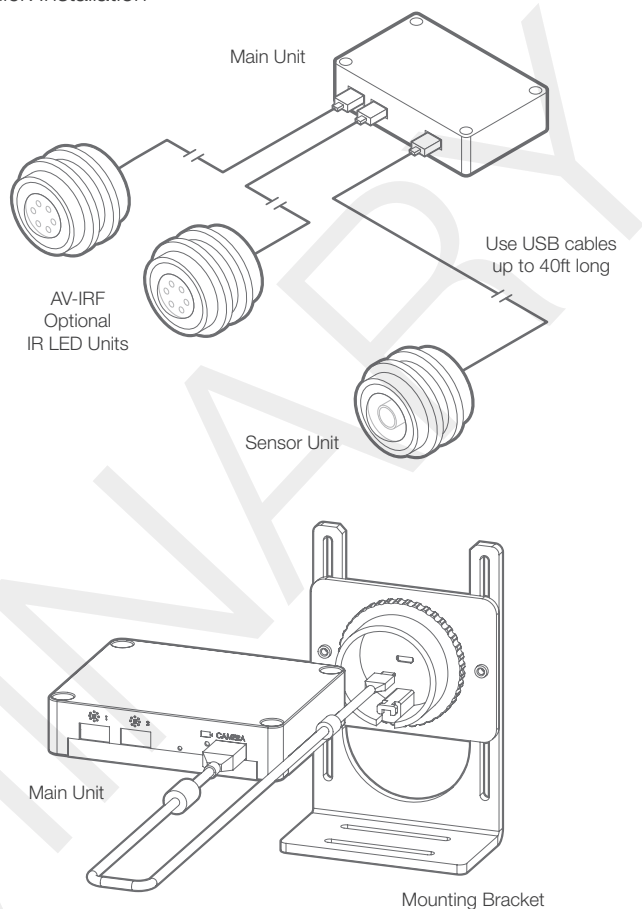
Mechanical

| | | |
|--|--|---|
| Casing | Tamper-resistant housing, IK-10 Impact-resistant Weather resistant from front | |
| Lens | 2.8mm board mount (M12), fixed iris, F/2.0 (except -NL models) | |
| Dimensions <i>(See Dimensions)</i> | Main Unit | 0.94" H (24mm) x 3.23" W (82mm) x 4.09" L (104mm) |
| | Sensor Unit | Ø 1.77" (45mm) x 1.74" W (44.1mm) |
| | Packaged | 4.5" H (114mm) x 5.8" W (147mm) x 5.9" L (150mm) |
| Weight | Unit | 0.7lbs (0.3kg) |
| | Packaged | 1.3lbs (0.6kg) |
| USB Cables | 5ft | |
| | 40ft | |

Accessories

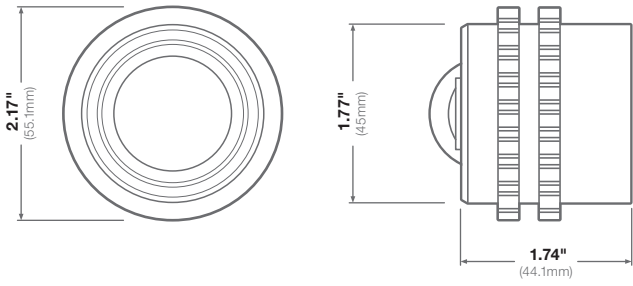
| | |
|---------------|---|
| AV-IRF | Single IR illuminator includes 6 pcs 850nm LEDs / 15 meter IR distance (max) / 80° IR angle, for use with MegaVideo Flex only |
| MF-FMA | In-ceiling flush mount for MegaVideo Flex |

Quick Installation

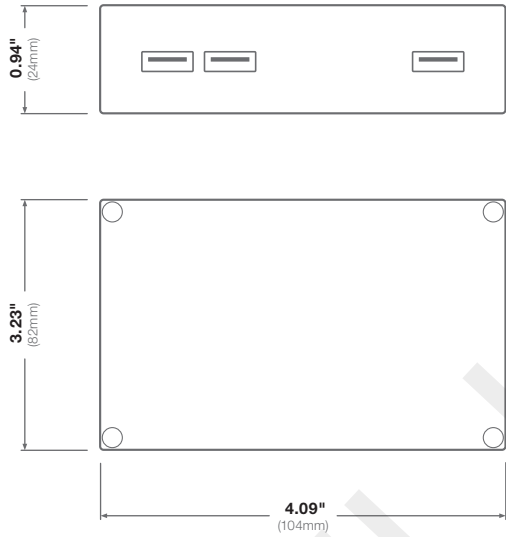


Dimensions

Sensor Unit



Main Unit



Ordering Information



IR LEDs
Sold Separately

Model Specific Features

| Model | Resolution | Frame Rate | Features | | |
|----------|------------|------------|----------|--------------|------------|
| AV1195DN | 1.2MP | 37fps | - | - | NightView™ |
| AV2195DN | 1080p | 30fps | - | Casino Mode™ | - |
| AV2196DN | 1080p | 30fps | WDR | - | - |
| AV3195DN | 3MP | 21fps | - | - | Binning |
| AV3196DN | 3MP | 21fps | WDR | - | Binning |
| AV5195DN | 5MP | 12fps | - | - | Binning |

Model Numbers*

| | | |
|-------|-------------|-----------|
| 1.2MP | AV1195DN | NightView |
| | AV1195DN-NL | NightView |
| 1080p | AV2195DN | |
| | AV2195DN-NL | |
| | AV2196DN | WDR |
| | AV2196DN-NL | WDR |
| 3MP | AV3195DN | |
| | AV3195DN-NL | |
| | AV3196DN | WDR |
| | AV3196DN-NL | WDR |
| 5MP | AV5195DN | |
| | AV5195DN-NL | |

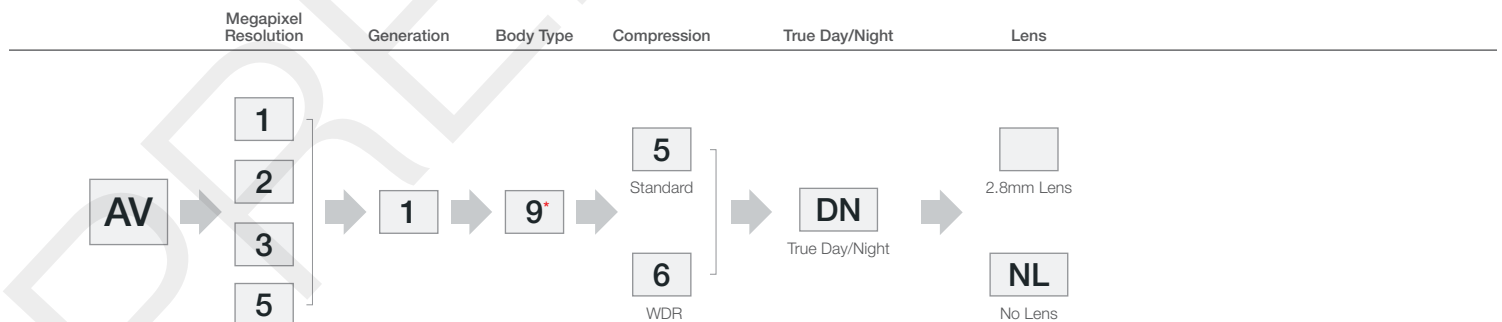
* All parts include a main unit, 40ft and 5ft USB 2.0 to micro USB 28/24 AWG, shielded twisted pair cable, and a mounting bracket.

Lens Options (Sold Separately)

| Model | Focal Length | Horizontal Field of View | | | | | |
|----------|--------------|--------------------------|-------|-----------|------|---------|------|
| | | 1.2MP | 1080p | 1080p WDR | 3MP | 3MP WDR | 5MP |
| MPM2.1 | 2.1mm | 130° | 113° | 113° | 121° | 121° | - |
| MPM2.8A* | 2.8mm | 95° | 83° | 83° | 89° | 89° | 113° |
| MPM4.0A | 4mm | 67° | 59° | 59° | 63° | 63° | 80° |
| MPM6.0 | 6mm | 46° | 40° | 40° | 43° | 43° | 56° |
| MPM8.0 | 8mm | 35° | 30° | 30° | 33° | 33° | 42° |
| MPM12.0A | 12mm | 23° | 20° | 20° | 22° | 22° | 28° |
| MPM16.0 | 16mm | 17° | 15° | 15° | 16° | 16° | 20° |

* Standard Lens for MegaVideo Flex Except on "-NL" Models

Create Your Model (Example: AV3196DN-NL)



* "9" represents MegaVideo Flex product line
** True Day/Night with WDR for No Lens models only