

AV1125/AV2125

1.3-Megapixel and Full HD 1080p @ 30fps H.264 MegaView® PoE IP Camera



AV1125IRv1x 1.3MP H.264 Day/Night w/IR Illuminator
AV1125DNv1x 1080p H.264 Day/Night

AV2125IRv1x 1080p H.264 Day/Night w/IR Illuminator
AV2125DNv1x 1080p H.264 Day/Night



All-in-One MegaView® IR Camera Solution

The Fast Frame Rate at 1.3MP
and 1080p Resolution on the
Market: 42fps @ 1.3MP
31fps @ 1080p

Class 3 PoE Powers Camera, IR
LEDs and Fan (No Auxiliary Power Required)

Arecont Vision Advantages:

- All-in-One MegaView® IR Camera Solution
- IP66 and Vandal-Resistant Housing
- H.264 (MPEG-4, Part 10) Compression Standard
- External Lens Adjustment
- Easily Adjustable 3-Axis Bracket
- IR LED Configuration Exceeds the Market Standard
- Superior Low-Light Performance
- PSIA and ONVIF Conformant
- Privacy Mask
- Extended Motion Detection Grid, 1024 Zones
- Flexible Cropping
- Bit Rate Control
- Multi-Streaming
- Forensic Zooming
- Casino Mode™ on AV2125xx Models (Always Maintains 30fps or Better)
- True Day/Night Functionality with Removeable IR Cut Filter



Specification sheets subject to change without notice.

Made in the USA



Model Numbers

- AV1125IRv1x** 1.3MP H.264 Day/Night w/IR Illuminator
- AV1125DNv1x** 1.3MP H.264 Day/Night
- AV2125IRv1x** 1080p H.264 Day/Night w/IR Illuminator
- AV2125DNv1x** 1080p H.264 Day/Night

Imaging

- 1.3-megapixel effective CMOS image sensor (AV1125)
- 2.07 megapixel CMOS image sensor (AV2125)
- 1/2.7" optical format
- 3 µm pixel pitch
- Progressive Scan
- Minimum illumination of:
 - Color: 0.1 Lux @ F1.6
 - Day/Night: 0 Lux, IR sensitive
- Dynamic range 69 dB
- Maximum SNR 45 dB

Full Field-of-View (FOV) Resolution

Mode Numbers	Full FOV Resolution	1/4 Resolution
AV1125	1.3MP 1280 (H) x 1024 (V)	640 (H) x 512 (V)
AV2125	2.07MP 1920 (H) x 1080 (V)	960 (H) x 540 (V)

Cropped (FOV) Resolution

- Flexible Cropping
- 1280x1024 1.3MP (AV2125)
 - 1280x720 HDTV - 720p
 - 640x480 VGA
 - 352x288 CIF
 - 320x240 SIF

Data Transmission

- Video frame rate up to:
 - 31fps @ 1920x1080 (AV2125)
 - 42fps @ 1280x1024 (AV1125)
- Compression type
 - H.264 (MPEG-4, Part 10)
 - Motion JPEG
 - 21 levels of quality
- RTSP, RTP/TCP, RTP/UDP (Unicast/Multicast), HTTP, DHCP, TFTP image transmission protocols
- 100Base-T Ethernet Network Interface
- Multi-streaming: 8 non-identical streams

Electrical

- General purpose opto-coupled input and output (DN version only)
- General purpose opto-coupled input (IR version only)
- PoE 802.3af for camera, IR illuminator and fan
- Auxiliary power 12–48V DC or 24V AC for camera, IR illuminator and fan
- Power consumption (auxiliary power):
 - 6.41 Watts maximum/10.44 Watts maximum (IR on)

Compliance Information

- Compliance:
 - AV1125DNv1x/AV2125DNv1x: Class B FCC, Part 15; EN55022 Class B
 - AV1125IRv1x/AV2125IRv1x: Class A FCC, Part 15; EN55022 Class A
 - EN55024, EN61000-3-2, EN61000-3-3, EN60950-1 RoHS, REACH, IP66 (EN60529)
- CE Mark, UL Listed
- WEEE

Industry Standard

- PSIA and ONVIF Conformant

Programmability

- Casino Mode™ (AV2125)
- Flexible cropping
- Low-light noise filter control
- Bit rate and bandwidth limitation control
- Shutter Speed = 1ms–500ms
- On-camera real-time motion detection and privacy mask with 1024 detection zones
- Backlight compensation
- Auto multi-matrix white balance
- 50/60Hz selectable flicker control
- Electronic pan, tilt, zoom (PTZ)
- Electronic image flip (180° rotation)
- Programmable shutter speed to help control motion blur
- Programmable resolution, brightness, saturation, gamma, sharpness, tint
- Picture-in-Picture: simultaneous delivery of full field of view and zoomed images

Environmental

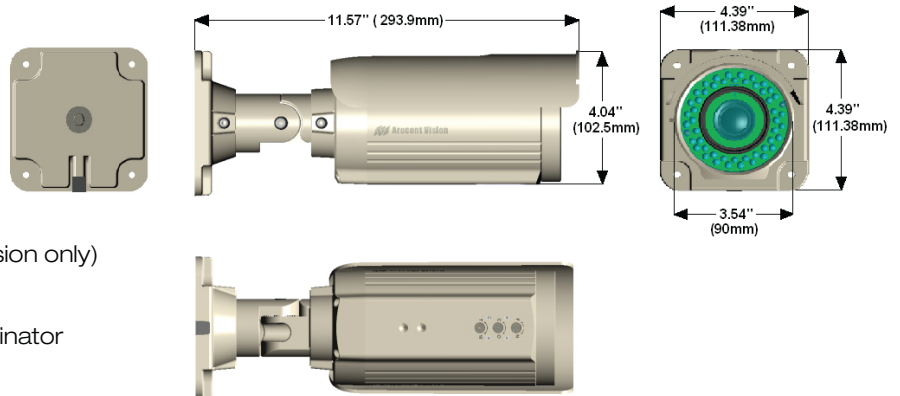
- Operating temperature: -40°C (-40°F) to +50°C (122°F)
- Stable image temperature: 0°C (32°F) to +50°C (122°F)
- Storage temperature: -40°C (-40°F) to +60°C (140°F)
- Humidity 0% to 90% (non-condensing)

IR Illuminator

- 48 pcs 850nm LEDs/25 meter IR distance (max)/45° IR angle
- 3 watts power consumption
- No external power required

Mechanical

- Casing
 - Die-casting aluminum cylindrical (Bullet-style) housing
 - Vandal resistant
 - IP66 weather proof
- External lens adjustment including zoom, iris and focus
- 4" H (102mm) x 4.3" W (111mm) x 11.5" D (293mm)
- 3.74lbs (1.69kg)



Lens

- 4.5–10mm vari-focal lens with IR correction
- Max Aperture: F1.6
- Horizontal F.O.V.
 - AV1125 = 22°–48°
 - AV2125 = 33°–71°

Accessories

- SV-EBA: Electrical Box Adapter
- SV-JBA: Junction Box Adapter
- MD-PMA: Pole Mount Adapter
- MD-CRMA: Corner Mount Adapter