

AV10255

10-Megapixel/1080p Dual Mode H.264 Day/Night IP MegaDome® 2 Camera

Arecont Vision
megapixel technology...
beyond imagination

AV10255AMIR

10MP Day/Night Remote Focus, Remote Zoom, Auto-Iris with IR LEDs

AV10255AMIR-H

10MP Day/Night, Remote Focus, Remote Zoom, Auto-Iris with IR LEDs and Heater

Dual Mode
10MP
80P



World's First 10-Megapixel/1080p
Dual Mode Dome Camera

The **Fastest** Frame Rates on the Market:
Up to **7fps @ 10MP/29fps @ 1080p**

Unparalleled High-Definition Resolution
at **3648x2752** Pixels

Arecont Vision Advantages:

- All-in-One H.264 MegaDome Solution
- Remote Focus, Remote Zoom and Auto-Iris Lens
- Day/Night with IR LEDs
- IP66 and Vandal-Resistant Dome, IK10 Rated
- Total PoE Solution
(No External Power Required for Heater and IR LEDs)
- True Day/Night Functionality with Removable IR Cut Filter
- PSIA and ONVIF Conformant
- New User-Friendly Webpage
- Easily Adjustable 3-Axis Gimbal
- Dual Encoder H.264/MJPEG
- Privacy Mask, Motion Detection and Flexible Cropping
- Binned Mode to Increase Low-Light Performance
- Optional Heater



Specification sheets subject to change without notice

Made in USA



Model Numbers

- AV10255AMIR** 10MP D/N, RF, RZ, Auto-Iris, IR LEDs
AV10255AMIR-H 10MP D/N, RF, RZ, Auto-Iris, IR LEDs, Heater

Imaging

- 10-megapixel CMOS image sensor
- Binned Mode (2x2): 2.5MP to improve low-light performance
- Maximum resolutions:
 - Normal: 3648 (H) x 2752 (V)
 - Binned: 1920 (H) x 1080 (V)
- 1/2.3" optical format
- 1.67 µm pixel pitch
- Minimum illumination of:
 - Color (non-binned): 0.42 Lux
 - Color (binned): 0.21 Lux
 - Day/Night: 0 Lux, IR sensitive
- Dynamic range 57.2 dB
- Maximum SNR 40 dB

Full Field-of-View (FOV) Resolution

Model Numbers	Full FOV Resolution	1/4 Resolution
AV10255	3648 (H) x 2752 (V)	1824 (H) x 1376 (V)

Lens

- 4.7-9mm, F2.8, remote focus, zoom and auto-iris lens
- HFOV = 78.8° – 37°

Cropped (FOV) Resolution

- Flexible cropping - crop to 2 pixels in H.264 & 1 pixel in MJPEG
- 2592x1944 5MP
 - 2048x1536 3MP
 - 1920x1080 HDTV-1080p
 - 1280x1024 1.3MP
 - 1280x720 HDTV-720p
 - 640x480 VGA

Data Transmission

- Video frame rate up to:
- 7fps @ 3648x2752
 - 12fps @ 2592x1944
 - 18fps @ 2048x1536
 - 25fps @ 1920x1080
 - 37fps @ 1280x1024
- Video frame rate in binned mode:
- 29fps @ 1920x1080
 - 26fps @ 1824x1376
 - 43fps @ 1296x972
 - 54fps @ 1024x768

- Compression type
 - H.264 (MPEG-4, Part 10)/Motion JPEG
 - 21 levels of quality
- RTSP, RTP/TCP, RTP/UDP, HTTP, TFTP image transmission protocols
- 100Base-T Ethernet Network Interface
- Multi-streaming: 8 non-identical streams

Environmental

- Operating temperature:
 - w/o Heater: -20°C (-4°F) to +50°C (122°F)
 - w/ Heater: -40°C (-40°F) to +50°C (122°F)
- Stable image temperature: 0°C (32°F) to +50°C (122°F)
- Storage temperature: -40°C (-40°F) to 60°C (140°F)
- Humidity: 0% to 90% (non condensing)

Compliance Information

- Compliance:
 - Class A FCC, Part 15; EN55022 Class A, EN55024, EN61000-3-2, EN61000-3-3, EN60950-1 RoHS, REACH, IK-10 (EN62262), IP66 (EN60529)
- CE Mark, UL Listed

Programmability

- Remote focus, remote zoom and auto-iris
- Binned mode, flexible cropping and low-light noise filter control
- Shutter speed: 1ms – 500ms
- Backlight compensation
- Auto multi-matrix white balance
- On-camera motion detection and privacy mask w/1024 detection zones
- 50/60Hz selectable flicker control
- Electronic pan, tilt, zoom (PTZ) and image flip – 180 degree rotation
- MoonLight™ mode – extended exposure and proprietary noise cancellation
- Programmable resolution, brightness, saturation, gamma, sharpness, tint
- Bit rate and bandwidth limitation control

Camera Electrical

- General purpose opto-isolated input and output
- Power over Ethernet (PoE): PoE 802.3af for camera
- Auxiliary power 12-48V DC, 24V AC
- Power Consumption:
 - 10.9 W (AMIR)
 - 11.5 W (AMIR-H)

Heater Electrical (-H models only)

- Power Consumption: 2.28 W Max
- Switch: On: 4°C (32.9°F), Off: 6.5°C (43.7°F)
- Total PoE Solution: No external power requirement

IR Illuminator

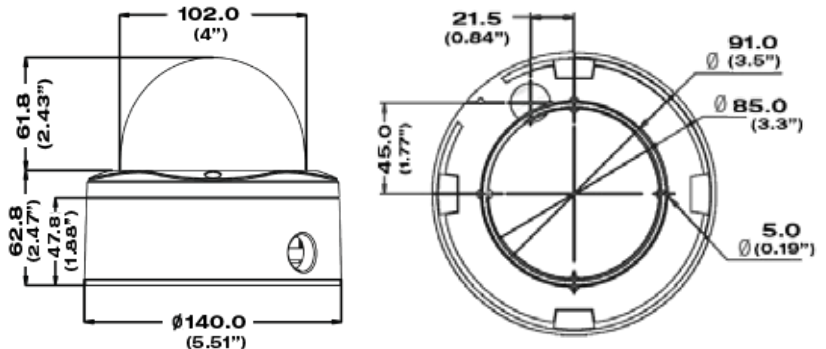
- 24 pcs 850nm LEDs/15 meter IR distance (max)/40° IR angle
- No external power required

Industry Standard

- PSIA and ONVIF conformant

Mechanical

- Casing:
 - Die-casting aluminum chassis with 4" polycarbonate dome bubble
 - IP66 environmental rating
 - Vandal resistant, IK10 impact rating
- Easily adjustable 3-axis camera gimbal w/360° pan, 90° tilt & 360° z-axis
- Total unit dimensions:
 - Ø140.0 x 124.6 mm (H), bubble only: Ø102 x 61.8 mm (H)
 - Ø5.51 x 4.9" (H), bubble only: Ø4.0 x 2.43" (H)
- 2.25 lbs (1.02kg)



Accessories

- MD-WMT2: Wall mount w/1.5" NPT
- MD-CAP: Wall mount cap only w/1.5" NPT
- MD-CMT: Pendant mount
- MD-CRMA: Corner mount adapter
- MD-PMA: Pole mount adapter
- MD2-HK: Optional 2W heater kit
- SV-EBA: Electrical box adapter
- SV-JBA: Junction box adapter (for on-site installation)