



AD9414

14-INCH COLOR MONITOR



FEATURES

- 360 TV lines resolution
- Two looping video input pairs (A/B)
- NTSC/PAL format auto detect
- Perfect for use with color quads and multiplexers
- Convenient front panel controls
- Heavy duty metal cabinet
- Two looping audio input pairs
- Universal power supply
- Latching power switch
- Rack mount (optional)

The AD9414 is a high-performance, 14-inch color video monitor that is ideal for video surveillance and security applications. The 360 TV lines resolution make this monitor ideal for use with color quads and multiplexers, allowing you to see details in 2 x 2 and 3 x 3 formats.

The unit is able to automatically detect PAL or NTSC format.

The monitor contains a latching power switch, which remains in its set position – either on or off – regardless of incoming power status. Therefore, the monitor does not have to be physically turned back on after a power loss.

The monitor's heavy-duty metal cabinet enables it to be mounted in standard 19-inch EIA racks (using the optional rack mount kit). This allows it to be easily incorporated into video monitoring systems and surveillance applications.

SPECIFICATIONS

Model Number

AD9414 Monitor, Color, 14 in, 360 TV lines,
NTSC/PAL

Operational

Picture Tube 14-inch diagonal, 90° deflection angle,
flat-square type CRT
Resolution 360 TV lines
Video Input
Level 1.0 Vp-p, composite
Impedance HiZ / 75 Ω, auto termination
Audio Output 0.7 watt

Controls

Tint Adjusts picture to obtain most natural
colors (skin tones)
Color Adjusts depth of saturation of color; used
to select individual viewer's preference in
color saturation
Bright Adjusts overall shading of picture and
establishes picture brightness
Contrast Adjusts relationship between light and
dark areas of picture
Sharp Adjusts sharpness of picture
Volume +/- Adjusts volume higher and lower
Video A Selects video input A
Video B Selects video input B
Power Turns monitor on and off

Connectors

Video A & B Two sets of BNC pairs for loop-through
operation
Audio A & B Two sets of RCA connectors for
loop-through operation
AC Input Connector IEC 320 type connector for AC input
Power Cables
North American NEMA 5-15P, UL
Continental European CEE7/7, GS

Electrical

Voltage 90 to 240 VAC (50/60 Hz)
Power 60 watts

Mechanical

Dimensions (H x W x D)
Cabinet 34.2 x 36.5 x 39.1 cm
(13.45 x 14.4 x 15.4 in)
Rack Mount 39.9 x 48.2 x 34.8 cm
(15.75 x 19.0 x 13.68 in)
Unit Weight 12.5 kg (27.59 lbs)
Shipping Weight 14 kg (30.91 lbs)
Color Black
Construction Metal cabinet

Environmental

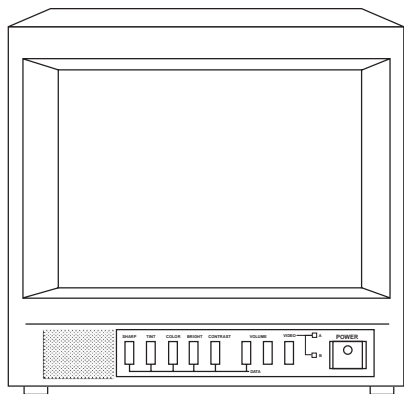
Operating Temperature 0° to 40° C (32° to 104° F)
Humidity 90% RH (non-condensing)
Storage Temperature 0° to 40° C (32° to 104° F)

Regulatory

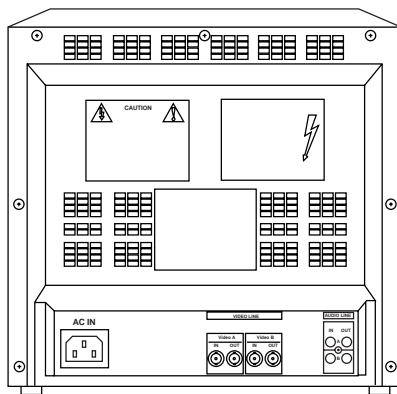
Emissions FCC: Part 15, Subpart B, Class A
CE: EN55022, Meets Canadian ICES-003
Meets Australian and New Zealand EMC
Immunity CE: EN50130-4, Meets Australian and
New Zealand EMC
Safety UL1410, CUL: CSA 22.2, No. 1
CE: EN60065, DHHS: Rules 21
Subchapter J ROV

Options

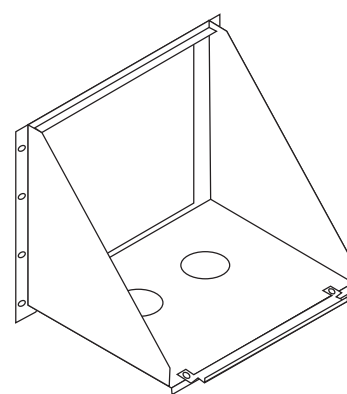
AD9414RK Rack Mount Kit



Front Panel



Rear Panel



AD9414RK Rack Mount Kit
(single rack)