



JAVELIN S874 SMART CARD READER

The Javelin S874 is a smart card reader without keypad for integrated access control. The attractive, contemporary black and silver finish is designed to complement any office or building environment.

The Javelin S874 reads NXP MIFARE®, MIFARE® Plus, MIFARE® DESFire and MIFARE® DESFire EV1 smart cards, in addition to PIV, TWIC and FRAC cards.

The Javelin S874 is designed for use with the Symmetry multiNODE range of controllers and is compatible with all versions of Symmetry software.

The Javelin S874 uses secure, bi-directional, pseudo-random supervised MCLP communications to the multiNODE controller. Both the card reader and cable are supervised, and an alarm will be generated if the card reader is tampered with or communications lost.

Wiegand communication is also supported between the card reader and controller.

KEY FEATURES

- Smart card access control card reader for a wide range of security applications
- Designed to fit most standard electrical back boxes
- Reads MIFARE® Classic, MIFARE® Plus, DESFire EV1, PIV, TWIC and FRAC Smartcards
- Secure, bi-directional, Pseudo-Random supervised MCLP communications
- Wiegand output
- Maximum read range of 1" (25mm) dependent on card
- Integrated Door Pre-held warning buzzer
- Multi-tone audio sounder for access granted or denied
- LED feedback for verification of card accepted or rejected
- Three colour LED alert status indication

SPECIFICATIONS

Model Types

- Javelin S874 - Smart card reader

Communicating Distances

- Symmetry multiNODE controllers to Symmetry S874 (MCLP) = 3000ft/1000m
- Symmetry multiNODE controllers to Symmetry S874 (Wiegand) = 500ft/150m

Dimensions inches (mm)

- Width = 3.5" (85mm)
- Height = 4.4" (113mm)
- Depth = 0.9" (23mm)

Operating Environment

- -4°F to +131°F (-20°C to +55°C)
- 15% to 90% Humidity, non-condensing

Power Requirements

- Nominal 12VDC (9-14V)
- Maximum current consumption 120mA

APPROVALS

Radio regulatory approvals

- FCC CFR47 Part 15C
- EN 302291

EMC Type Testing

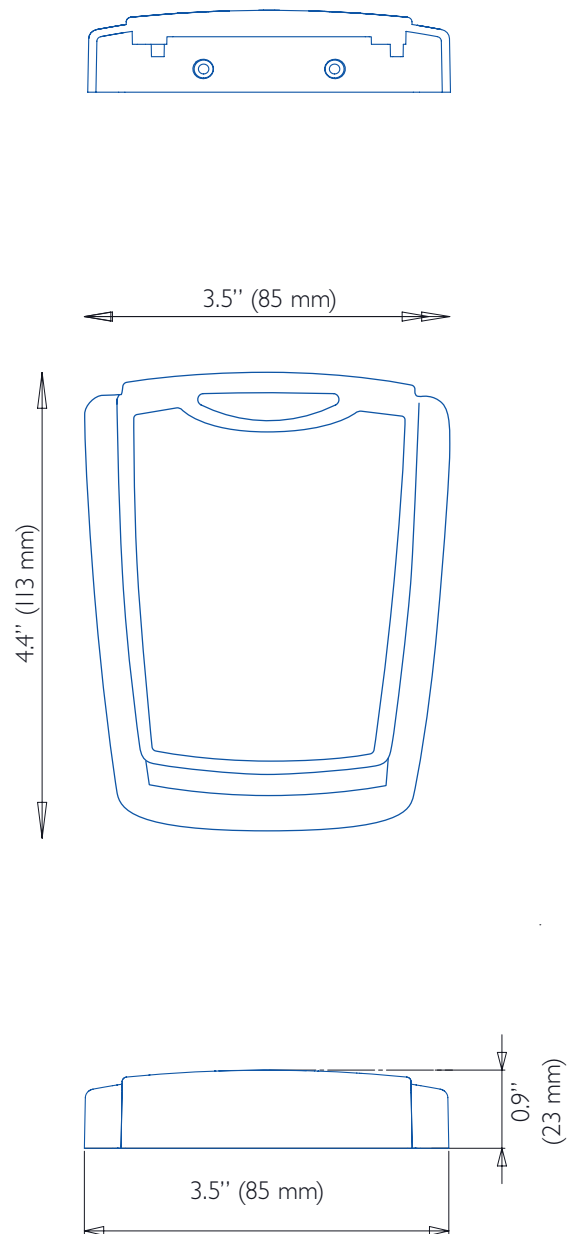
- EN 301489

Access control product testing

- IP44: R & TTE Directive 1999/5/E
- UL 294 (pending)
- UL 1076 (pending)

PURCHASING INFORMATION

- 874 Javelin Card Reader - Smartcard



AMAG Technology

sales@amag.com

www.amag.com