

SYMMETRY™ EN-7537HD NETWORK CAMERA

The Symmetry range of advanced network cameras provides compact design, coupled with full HD technology and H.264 video compression to meet all your video surveillance needs.

The Symmetry EN-7537HD is an outdoor remote controllable camera with pan and tilt repositioning. The compact day/night camera includes remote zoom and focus control with a single click making it ideal for many surveillance applications where limited pan and tilt repositioning of the camera is required. Onboard support for Power over Ethernet ensures quick and easy installation coupled with increased reliability. Efficient operation allows ease of monitoring, management and maintenance, reducing the demand on time and resources.

This high performance camera comes with inbuilt advanced motion detection and optional video content analytics encompassing 3D behaviour detection including loitering, entering / exiting, appear / disappear and tailgating filters. Motion detection features include, anti-tampering, shake cancellation and real-time event tracking.

Using Symmetry network cameras in combination with market leading Video Management Software delivers a high performance seamless video solution. Cost savings are also introduced as multiple or complex sites can be monitored from one central location. The Symmetry camera range is also operational with other leading Video Management software applications.

KEY FEATURES

- High definition network outdoor dome camera
- Remote Controllable Pan and Tilt Repositioning
- Full Frame at HD1080p
- Remote Zoom/Focus Control (One Click AF)
- Video Compression: H.264
- Burnt-in Text, Video Motion Detection Support
- Remote Firmware Upgrade over Network
- ONVIF Support
- Embedded Video Analytics
- Vandal Proof

SPECIFICATIONS

Camera Module

- Image Sensor: 1/2.7" 1080p CMOS
- Effective Pixels: 1920 x 1080
- Scanning System: Progressive scanning
- AGC Control: Auto
- Minimum Illumination: Color : 0.5 lux, BW : 0.001 lux
- Lens: 3.0 – 9.0mm Vari-Focal F1.2 Motorized Focus & Zoom
- Day & Night: IR Cut Filter Removal
- Smart Edge Enhance: Supported (Auto adjust the sharpness by Lux)
- 2D-DNR: Supported (1 ~ 16)
- White Balance: ATW / Manual / Push
- BLC: On (possible to designate zone) / Off
- Iris: DC Auto Iris

Video

- Compression Format: H.264, MJPEG*
- Number of Streams: Dual Stream, Configurable
- Resolution: 1920x1080, 1280x720, 800x450, 480x270, 320x180
- FPS: 30fps@1080p (enabling analytics reduces maximum FPS / resolution)
- Motion Detection: Built-in
- Burnt-in Text: Video stream overlay text
- Output: Analog video output for installation only

Audio

- Input: 1 Output: 1*
- Compression Format: G.711

Function

- Digital Input: 1 Digital Output: 1*
- Network: 10 / 100 Base-T
- Protocol: TCP/IP, UDP/IP, HTTP, RTSP, RTCP, RTP/UDP, RTP/TCP, SNTP, mDNS, UPnP, SMTP, IGMP, DHCP, DDNS, SSL v2/v3, IEEE 802.1X, SNMP v2/v3
- Memory Card Slot: 1 SD Card and 1 USB slot available (SD card not included)
- Recommend Class 4 and higher for HD recordings

Electrical

- Power Source: DC12V / AC24V (Adapter Included)
- Power over Ethernet: Support (PoE, IEEE 802.3af)
- Power Consumption:
 - DC12V and AC24V : 1.5A
 - PoE : 800mA

Environmental

- Fan / Heater: As Standard
- Operating Temperature:
 - DC12V/AC24V: -20°C ~ 50°C (-4°F ~ 122°F)
 - PoE : 0°C ~ 45°C (32°F ~ 113°F)
 - Motor Spin: 10°C ~ 40°C (50°F ~ 104°F)
- Operating Humidity: Up to 85% RH, Non-condensing
- Certification: FCC / CE, IP66

*Not supported by Symmetry

Mechanical

- Material: Aluminum Die-Casting
- Color: Ivory
- Dimension: Housing: 154.4(d) x 130(H) mm / Dome: 100mm
- Weight (Approx.): 1.2kg
- Pan/Tilt Lifespan Approx. 5,000 counts each

Advanced Motion Detection (Included as Standard)

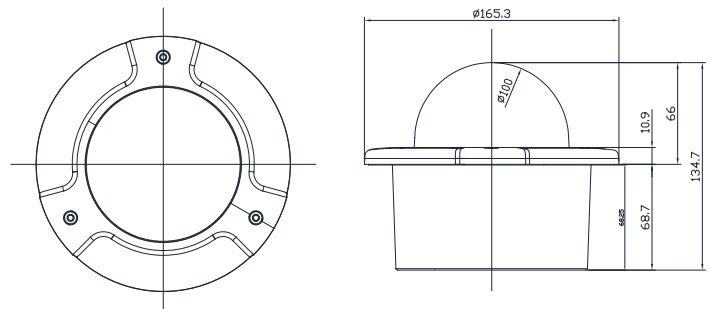
- High Performance: Advanced Tracking Algorithm, Low False Alarm Rate
- Easy to Use: Intuitive Web Browser Interface
- Detection Zones: Multi-segment Polygons and Lines
- On-screen Display: Real-time Display of Tracking Data and Events
- Camera Shake Cancellation: Improve the performance with cameras that are prone to shake
- Tamper Detection: Detect camera tampering

Video Content Analysis (Option)

- Detection Behavior: Direction, Stopping, Loitering, Entering, Exiting, Appear, and Disappear Filters, Tailgating* Detection
- 3D Behavior: Perspective Corrected Size and Speed Filters
- Statistics: Counting Functions and Other Statistics*
- Meta Data: Plain XML Format*

Analytics are powered by VCA Technology

Dimension: (mm)



AMAG Technology

sales@amag.com

www.amag.com