

infrared proximity switch

PB86



The Alpro PB86 infrared proximity switch is designed to be used in conjunction with the full range of Alpro access control products. This proximity switch offers contactless features offering sterile and hygienic operation. The simple swipe of the hand operates the switch, ensuring no contact is required. A feature especially important with MRSA and other infectious bacteria prevalent in hospitals and other communal areas.

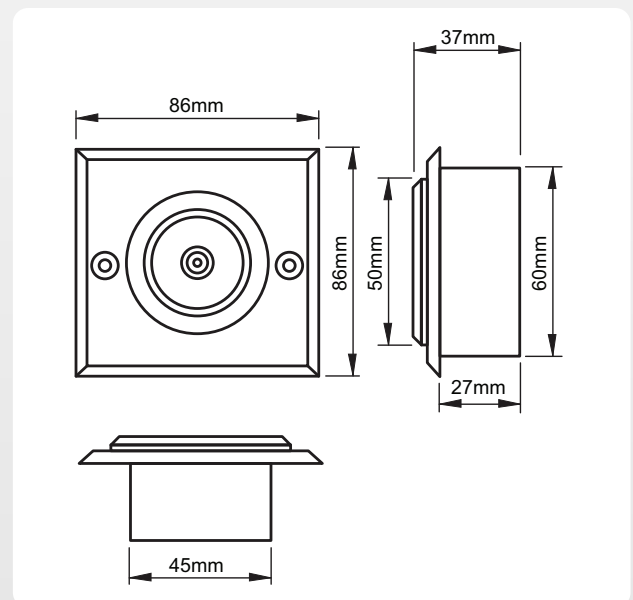


Function

- Adjustable relay trigger from 1 to 9 seconds
- Easy indication of operation status
- Remote control door open with an infrared keypad (optional)
- Offers one touch point to operate when infrared is abnormal
- Proximity distance is adjustable from 15-27cms
- Suitable for indoor use only

Specification

- Dimensions: 86 (L) x 86 (W) x 37 (H) mm
- Contact Rating: 0.5A 125vAC
2A 30vDC
0.3A 110vDC
- Relay Life: Mechanical: 100,000,000 / Electrical: 500,000
- Operation Temperature: -20°C ~ 55°C
- LED indicator: Blue - Normal
Green - Active



Ordering Information/Specifications

DESCRIPTION	CODE
Infrared Proximity Switch - 12v	ALP-PB86
Remote Control Keypad Unit	ALP-RCKU