

BC-5010

5-Mega Pixel Box Type PoE IP Camera

- 5 Mega-Pixel High Resolution Sensor
- 15 FPS at 5MP, 25 FPS at 3MP, 30FPS at 1080P
- Optional Dual Band Wireless-N
- WDR Support
- Clear Motion Technology
- DC Iris Support and IR-CUT Removable (ICR)
- SD/SDHC Memory Card Slot for Local Storage
- Compatible with ONVIF Standard
- 802.3af Power over Ethernet Port
- Support both C and CS Mount Lens
- Free 64-Channel Recording Software



AirLive BC-5010 is the new generation of 5 Mega-Pixel box type IP Camera from AirLive, it improves the frame rate up to 15 FPS at 5Mega-Pixel resolution and it also provides SD and USB slot for local storage. Moreover, with optional X.USB dongle, AirLive BC-5010 can support wireless connection.



5 Mega-Pixel Video Resolution with Higher Frame Rate and Lower Lux Illumination

AirLive BC-5010 can offer you smoother video. At 5 Mega-Pixel resolution, new processor can process 15 frames per second. In addition, it can also operate at 3 Mega-Pixel at 25 frames per second or 1080P at 30 frames per second. The enhanced sensor can work in light condition as low as 0.2 lux. Therefore, AirLive BC-5010 can offer better quality video in low light environment.

Clear Motion Technology

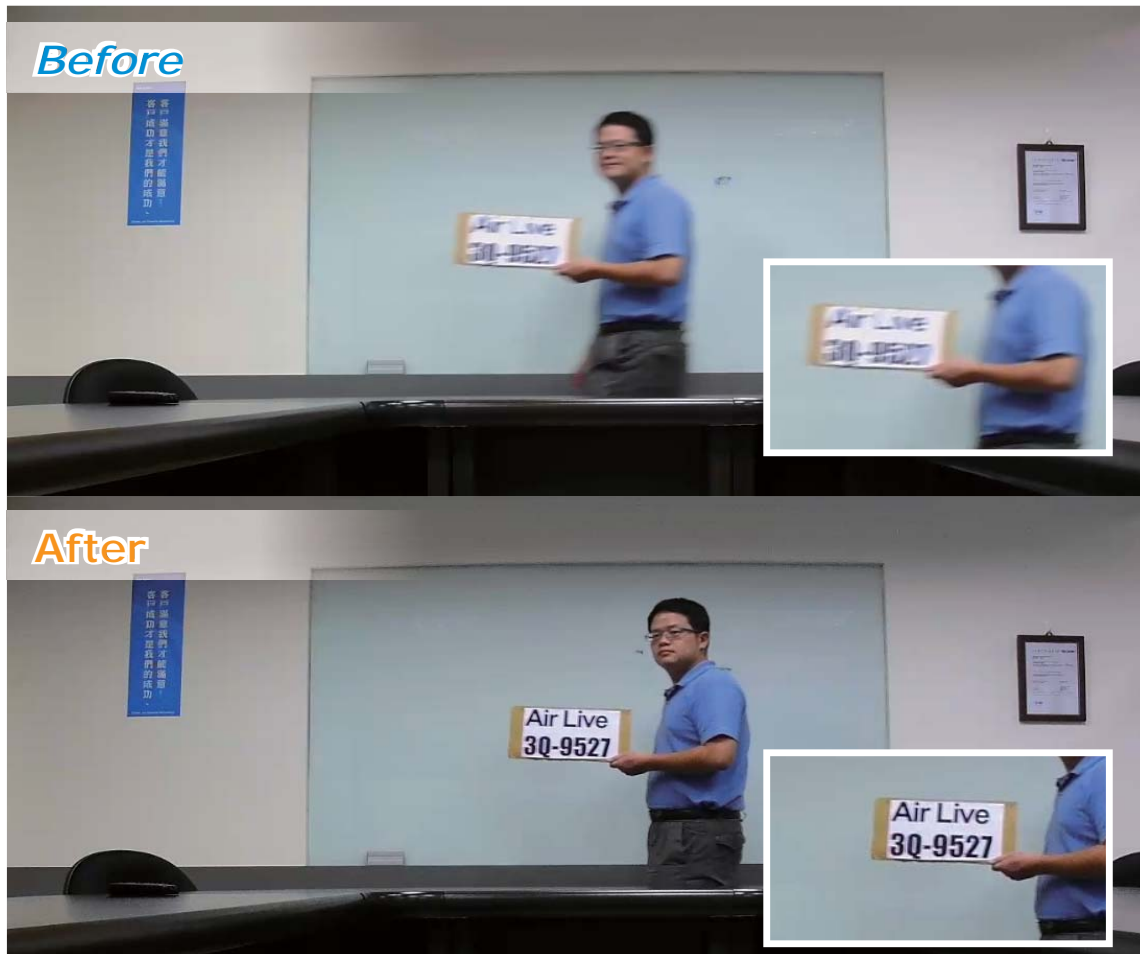
AirLive BC-5010 provides bright and vivid colorful image due to its high quality low lux sensor. However, the most beautiful image will be useless if it is not able to catch the details of moving objects. AirLive has developed the Clear Motion Technology to minimize the motion blur caused by moving objects. So you can have the details where you need it.

Manufacturer

OvisLink Corp.

5F, No.96, Min- Chuan Rd., Hsin- Tien Dist., New Taipei City 231, TAIWAN

www.airlive.com



New SecurSense User's Interface

The BC-5010 features the new SecurSense interface from AirLive. Not only it is very easy to use and work correctly for different browser environments, it also has the most completed set of functions. Functions, such as "Push-to-Talk" and "Audio File Playback", allow your IPCAM to say a pre-recorded phrase or audio songs when alarms are triggered.

Changeable Lens and Auto-Iris Support

AirLive BC-5010 can support both C mount and CS mount lens without needs for adapters. In addition, the support for Auto-Iris lens allows automatic aperture adjustment to improve image quality to avoid over exposure.



Support WDR

When strong back light is surrounding a subject, camera with wide dynamic range technology can adjust the intense backlight and dark area to balance the whole screen; therefore, user can recognize the details in the bright and dark area.



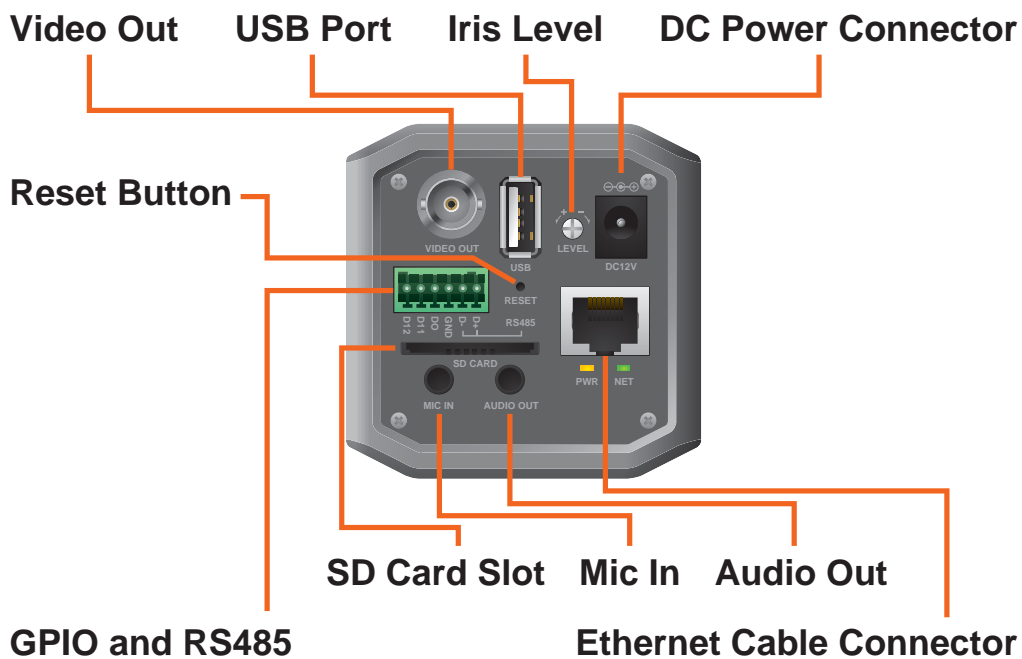
Wireless function with X.USB dongle (Optional)

The BC-5010 can support AirLive X.USB, 11a/b/g/n Dual Band USB Adapter. The X.USB supports both 5GHz and 2.4GHz frequency bands at full 300Mbps speed. In addition, it features detachable antennas for possible long distance applications. Simply purchase the optional X.USB and plug into AirLive BC-5010's USB port.



Diverse of Interface for Integrating

AirLive BC-5010 supports SD/SDHC card and USB flash drive for local storage. It also supports DI/DO for further integrating with additional sensor and alarm. Connect AirLive BC-5010 with the external microphone and speaker; it can perform the two-way audio function.





CamPro Professional, CamPro Express 64 and ONVIF Support

The CamPro Professional is AirLive's intelligent video surveillance recording software which is designed to meet most demands for professional installations. The Professional version greatly enhances the video analysis functions that can be applied to diverse surveillance scenarios. What's more, the BC-5010 also supports ONVIF standard for ensure the cooperation between AirLive BC-5010 and other well-known CMS in the main market.

Optional High Mega-Pixel Lens

AirLive, the leading IP camera manufacturer, has launched high quality Mega-Pixel lenses. ACC-MPL- 4mm is a Mega-Pixel CS mount lens, and suites for general daily usage. ACC-MPL-2812VF and ACCMPL- 550VF are vari-focal lenses with Auto Iris. The advantage of a vari-focal lens is that its focal length and field of view (FOV) can be changed manually and hence can be used more flexibly. The focal length of ACC-MPL-2812VF is from 2.8 to 12mm (4X). You can apply its wide end FOV in locations where an overlook is needed, such as entrance, hall way, or parking lot. And you can use its tele end for some critical areas like paying-counter. The focal length of ACC-MPL-550VF is from 5 to 50mm and it can be used in most of projects. With BC-5010 and POE-5010HD, AirLive's Mega-Pixel lens can provide you a high quality video no matter in day time or night time. The Auto-Iris function can automatically adjust the aperture of the lens and give you a stable image in an outdoor environment with changing light source.



Specifications

Camera

Camera Type

- Indoor Box Type

Max Resolution

- 2592 X 1920

Image Sensor

- 1/2.5" 5 Mega Pixel Color CMOS Sensor

Sensor Resolution

- 2592 X 1920

Lens Type

- C/CS Mount Lens Support
- Removable Lens

Night Vision

- Built-In Removable IR Cut Filter

Minimum Illumination

- 0.2 LUX

Mechanical IR-Cut Filter

- Yes

Auto Iris

- DC-Iris Support

Viewing Angle

- Depend on lens

Analog Video Out

- Yes

Video

Video Compression

- H.264 High/Main/Baseline Profile, MPEG4 Simple Profile and MJPEG

Video Profile

- 38

Resolution and Frame Rate

- 15 fps @ 2592 X 1920
- 25 fps @ 2048 x 1536
- 30 fps @ 1920 x1080
- 30 fps @ 1280 x 1024
- 30 fps @ 1280 x960
- 30 fps @ 1280 x 720
- 30 fps @ 720 x 480
- 30 fps @ 640 x 480
- 30 fps @ 320 x 240
- 30 fps @ 176 x 144

Streaming

- Multi-profile streaming
- Streaming over UDP, TCP, or HTTP
- M-JPEG streaming over HTTP (for non IE browser)
- 3GPP mobile view
- Configurable frame rate and bandwidth
- Support both CBR and VBR

ROI

- Yes

Image Processing

- AE, AWB
- Noise reduction
- Saturation, brightness, sharpness, contrast, Hue
- Mirror/Flip
- Text, time and date OSD

Digital Zoom

- 10X

Audio

Audio Encoder

- G711 u-law
- AMR

Audio Streaming

- Two-way

Audio Input/Output

- speaker port and microphone port

Network

Ethernet

- One RJ45 Port; IEEE 802.3u Compliant 10/100 Mbps Fast Ethernet with Auto-MDIX

PoE

- IEEE802.3af

Wireless

- Optional

Supported Protocols

- TCP/IP, IPV6, UDP, ICMP, DHCP, NTP, DNS, DDNS, SMTP, FTP, HTTP, HTTPS, Samba, PPPoE, UPnP, Bonjour, RTP, RTSP, RTCP, DLNA, ONVIF, iSCSI

Security

- Password protection
- IP filter
- HTTPS

Users

- Up to 20 simultaneous users

LED and Button

Power LED

- Amber Color

Link/Act. LED

- Green Color/Flash Green

Reset Button

- Reboot and Factory Default (Push and Hold Over 5 Sec)

General

Network Processor

- DSP Base

System ROM

- 128MByte NAND Flash

System RAM

- 128Mbyte DDR2 SDRAM

Power Supply

- DC12V

Power Consumption

- 4 Watts Max.

Connector

- RJ-45 10BaseT/100BaseTX
- 12V DC power jack
- Microphone/Speaker jack
- DDO
- Reset button

Environment

- Operation: Temp: -5°C ~ 55°C Humidity: 20% ~ 85% non-condensing
- Storage: Temp: -15°C ~ 60°C Humidity: 0% ~ 90% non-condensing

SD card slot

- SD/SDHC

Dimension

- 135 * 65 * 65 mm

System Integration

Software

- CamPro Express 64, CamPro Professional
- Search & Installation- IP Wizard II

Event Triggers

- Motion detection
- External input via DI interface

Motion Detection

- 3

Event handler

- FTP or NAS file upload
- E-mail alert
- HTTP, and TCP notification
- DO (digital output) alarm
- SD/USB file upload

UPNP

- Yes

Application Programming Interface

- ONVIF 2.0
- Open API for software integration
- SDK

Video Buffer

- Pre- and post- alarm buffering

Alarm Events

- File upload via FTP or email
- Notification via email, HTTP, and TCP
- External output activation
- Save to SD card/USB

Continuous recording

- Yes

Viewing System

OS

- Windows[®] XP, Vista, 7

Browser

- IE 7.0 or later, Firefox 2.0 or later, Safari, Google Chrome

Cell Phone

- With 3GPP player

Video Player

- VLC, Quick Time, Real Player, Core Player

Ordering Information:

AirLive BC-5010 5-Mega Pixel Box Type PoE IP Camera