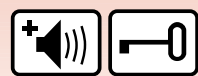


Video Sentry Color Tilt

DOOR **1** ROOM **3**

KC-1GRD

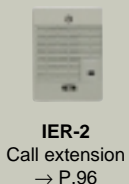


New

- VIDEO SENTRY COLOR TILT 1 door - 3 monitors
- INSTANT ON door audio & video
- All call type room calling
- 100m distance between monitors

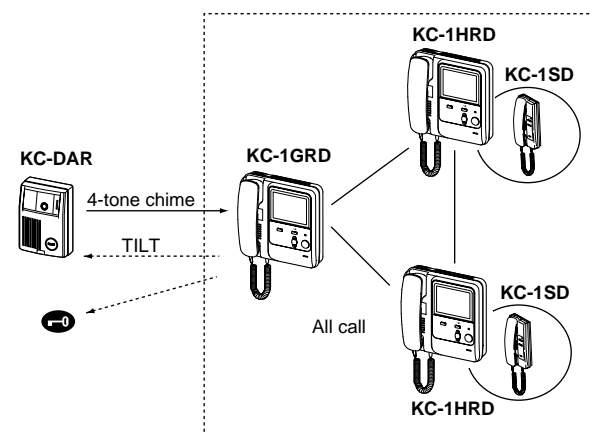


Options



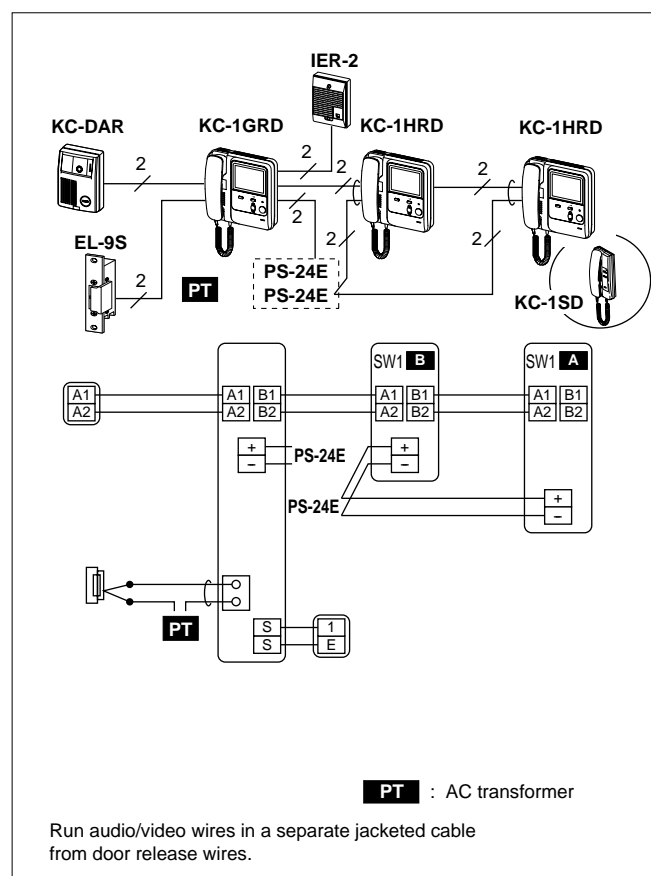
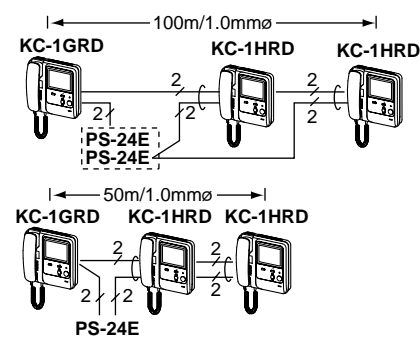
KAW-D 30° Angle Box for KC-DAR → P.33

Communication network & wiring



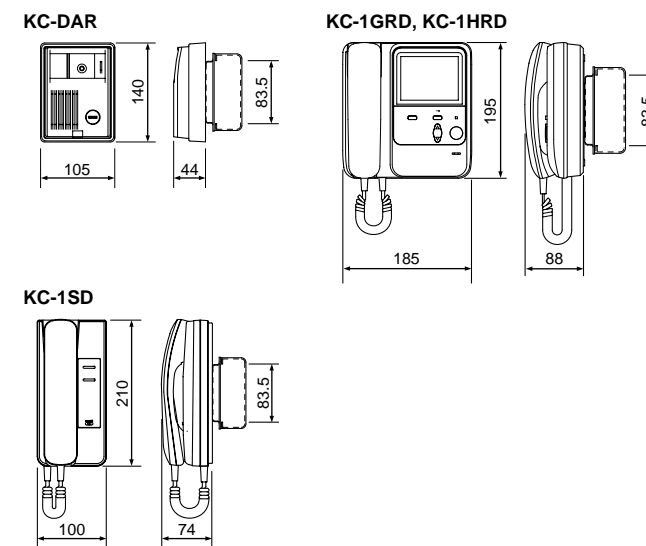
Connecting power supply

- * For maximum distance of 100m between monitors, run a separate 2 conductor wire from the power supply to each monitor, or install a power supply at each monitor location.
- * When **KC-1SD** is included, extend 2-pair wire from monitor station.



System components

- KC-DAR:** Video door station
- KC-1GRD:** Master station
- KC-1HRD:** Sub master station (2 pcs)
- KC-1SD:** Audio sub station (1 or 2 pcs)
- 24V DC power supply: PS-24E**



Specifications (KC-1GRD)

Power source	24V DC	
Consumption	KC-1GRD: 700mA. 70mA standby. KC-1HRD: 500mA. 50mA standby. KC-1SD: 70mA. 50mA standby.	
Power supply	PS-24E	
Video monitor	TFT color LCD	
Communication	Door calls in w/4-tone chime, 30 sec. Hear and see door instantly. Pick up at any station to reply, 2-1/2 min. timed. Recycle with MONITOR. Monitor handsfree audio & image of door w/MONITOR. Press ALL CALL to call the rest w/pretone & voice. Lift either handset to reply.	
Image view area	Approx. 60cm Horiz., 111~235cm Vert. at 50cm in front of camera at 130cm high.	
Night viewing	Up to 30cm from camera, with white LED projected. Background scene beyond 30cm can not be seen.	
Door release	Contact rating: 12V AC, 400mA.	
Wiring	2 parallel wires to door, non-polarized. 2 wires in loop, between monitors, plus 2 wires separately run from power supply.	
Distance	0.65mmø	1.0mmø
• KC-1GRD to door	50m	100m
• Monitors	50m	100m
• KC-1GRD-IER-2	50m	100m