

## AFM-IDW-2MP-D

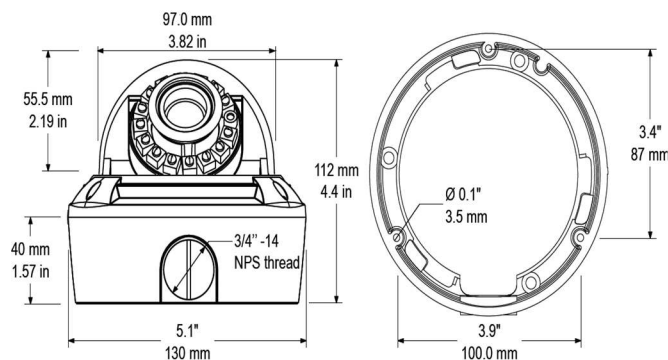
2 Megapixel IP Dome Camera



### Key Features

- 1/2.9" Progressive Scan CMOS
- VF Lens 2.8-12mm
- Full HD 1080P
- Multiple Streams
- IR Range 15-20m
- Low bitrate, Excellent low light performance
- IP66

### Dimensions (Unit :mm)



### Specifications

MODEL	AFM-IDW-2MP-D
<b>Camera</b>	
Image sensor	1/2.9" Progressive Scan CMOS
Total Pixels	1920(H) x 1080(V) 2. Megapixel
S/N Ratio	More than 50dB
Min. Illumination	Color 0.01Lux;IR ON 0 Lux
IR Distance	15-20m
Day & Night	ICR
Lens	2.8-12mm Lens
<b>Video</b>	
Video compression	H.264 high profile, MJPEG
Resolutions	Up to 1920 x 1080 (Full HD)
Frame rate	PAL: 1~25fps, NTSC: 1~30fps
Video streaming	Support dual stream with H.264, MJPEG
Pan/Tilt	1 x RS485
Image Setting	Day & Night
	Auto White Balance
	Auto Exposure
	Privacy Mask
	DWDR
	HLC
	ROI
Output	CVBS : 1.0 Vp-p / 75Ω composite
Alarm In/Out (Optiona)	In: 1, Out: 1
<b>Network / System Integration</b>	
Security	Password Protection, User access log, HTTPS encryption
Supported protocol	IPv4/ IPv6, RTSP/RTP/RTCP, TCP/UDP, HTTP, DHCP, DNS, FTP, DDNS, PPPoE, SMTP, STP, Multicast, ONVIF
Intelligent video	Motion detection up to 1920x1080
Alarm events	File upload via ftp, E-mail, Notification via email, FTP and TCP
Integration	ONVIF 2.1
<b>Physical</b>	
Power Source	DC12V/1.5A, PoE(Power over Ethernet): 802.3af-Optional
Storage	Micro SD / SDHC card, 32GB maximally
Power Consumption	5W (IR LED OFF); 8W (IR LED ON)
Net Weight	900g
Dimension	φ130*112mm
<b>General</b>	
Operating Temperature	-20°C~+60°C
Reliability	Software watchdog available

\* Specifications are subject to change without prior notice.

Email: [Info@afmvision.com](mailto:Info@afmvision.com)

The Bristol Office 2nd Floor,  
5 High Street Westbury-On-Trym Bristol, BS9 3BY, England, United Kingdom  
Tel: +44-2071014437

AFMVISION UK log and other trademarks associated with AFMVISION UK products referred to in this publication are trademarks of AFMVISION UK technologies. Ltd  
All other product names and services are the property of their respective companies.  
ONVIF and ONVIF logo are trademarks of ONVIF.