

VIDEO LOSS DETECTOR

TYPE BH107/NO

DATA SHEET

- *For use with coax cables*
- *Internal relay to operate alarm circuit*
- *12V DC operation*
- *Suitable for colour or monochrome video signals*



APPLICATION

This unit when installed in a coaxial cable run will alert staff to the loss of video signal from a camera whether from electrical failure or deliberate interference with the camera or connecting cables.

When the incoming video signal drops below 0.5V (-6dB) a warning lamp is switched on and relay contacts close which can be used to operate an alarm circuit or other equipment.

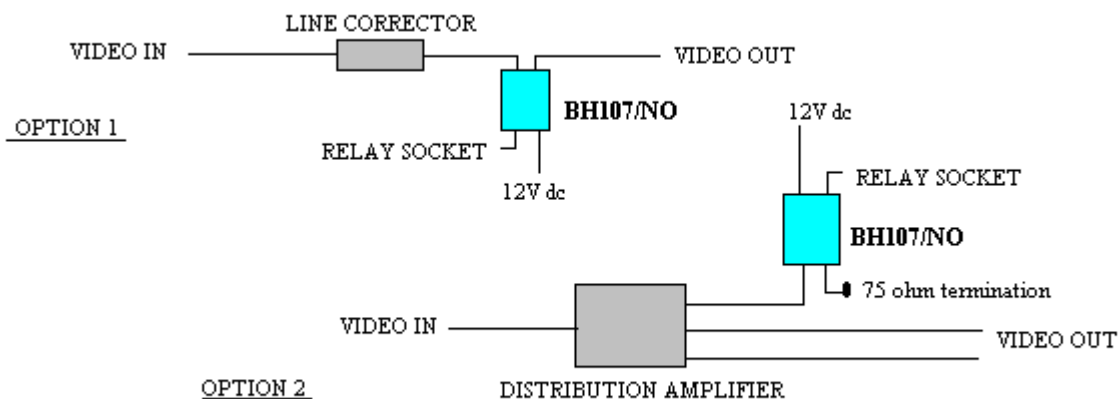
Addlestone Electronics Ltd

DESIGNED AND MANUFACTURED IN UK

TECHNICAL DATA

BH107/NO

INPUT SIGNAL REQUIREMENT	<i>Composite video in colour or monochrome or other wide band signals within a frequency bandwidth of 30Hz to 5MHz.</i>
INPUT SIGNAL AMPLITUDE	<i>Nominal 1 Volt peak to peak.</i>
OUTPUT SIGNAL AMPLITUDE	<i>Nominal 1 Volt peak to peak terminated in 75 ohms.</i>
INPUT / OUTPUT CONNECTIONS	<i>Input and output connectors are 75 ohm BNC type.</i>
RELAY CONTACTS	<i>Normally Open (when 12V supply is on and video is detected).</i>
MAXIMUM RELAY CONTACT VOLTAGE	<i>24V dc.</i>
MAXIMUM RELAY CONTACT CURRENT	<i>1A</i>
CONNECTION TO RELAY	<i>Via miniature PCB socket in end of unit.</i>
UNIT POWER REQUIREMENTS	<i>12V dc regulated supply.</i>
POWER CONSUMPTION	<i>Approximately 0.5 watts.</i>
PERMISSIBLE AMBIENT OPERATING TEMPERATURE	<i>-10°C to +40°C.</i>
WEIGHT OF EQUIPMENT	<i>85 grams.</i>
DIMENSIONS OF EQUIPMENT	<i>Height 32mm Depth 88mm excluding connectors Width 51mm</i>



Addlestone Electronics Ltd

Springfields, Church Lane,
Bisley, Woking, Surrey. GU24 9EA

Telephone: (01483) 480969 Fax: (01483) 797268

E-mail: sales@addlestone-electronics.co.uk

Web Site: www.addlestone-electronics.co.uk

