



## ABLOY® EL495FU

### Motor lock EL495FU for wooden and metal doors

#### Product description

ABLOY EL495FU is a motor lock for exterior swing doors. EL495FU can be installed with door automatics. Latch bolt and handle can be controlled with motor. EL495FU can be integrated with BMS and burglary system. Door and locking status can be monitored remotely from control room.

Handle is engaged in the event of a power failure. EL495FU is not EN179 EXIT-approved. EL495FU is not EN1125 Panic EXIT-approved.

Suitable for fire-rated doors.

#### Application

Typical applications are e.g. commercial buildings, hospitals, schools, universities etc, especially there, where automated swing doors are being used.

#### Overview of Advantages

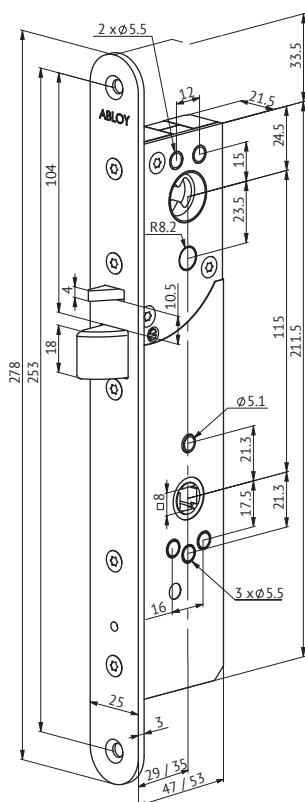
- Settable handing, left/right
- Mechanical override with key cylinder
- Monitoring functions
  - Door status
  - Bolt in
  - Bolt dead locked
  - Handle usage
  - Key cylinder usage (In special version)

#### Scope of delivery

- Lock case

#### Ordered separately

- EA228 Cable 0,5m or EA217 Cable 6m or EA227 Cable 10m
- EA280 / EA281, Lead cover
- Key cylinder(s)
- Handle(s)



#### Technical data

Handing	Non handed, left/right
Backset	29 mm or 35 mm
Mechanical key override	Yes
Operating temperature	-25 C - +70 C
Input operating voltage	12 – 24 VDC (+/-15%)
Rated current consumption	12 VDC: Max.1700 mA Norm. 600 mA Idle 50 mA 24 VDC: Max. 700 mA Norm. 250 mA Idle 25 mA
Microswitch capacity (monitoring contacts)	Max. 0,1A 30VAC / VDC resist 3 W
EN179:2008	0809-CPR-1053
EN1125:1997/2008	0809/CPR-1054
EN 14846:2008	0809-CPR-1157

This content is protected by Intellectual Property Rights Laws. The title to the content shall not pass to you, and instead shall remain with Abloy Oy or a third party holding the title. Abloy develops continuously the products and solutions offered. Therefore, the information contained in the document is subject to change without notice. ABLOY PROVIDES THIS CONTENT ON AN "AS IS" BASIS WITHOUT ANY WARRANTIES OF ANY KIND, EXPRESS, IMPLIED, OR STATUTORY."