

IR LED Illuminator



---

## FEATURES

---

- Compact chassis
- Invisible with 950nm wavelength
- MTBF > 100,000 hours

---

## SPECIFICATIONS

---

Optical Wavelength	940 nm
Max. IR Distance	30 m
Beam Angle	30°
IP Class	66
MTBF at 25° C	> 100,000 hours
Supply Voltage	12 VDC +6%, -6%
Power Consumption	12 W
Weight	1 kg
Dimensions w*h*d	105 x 90 mm

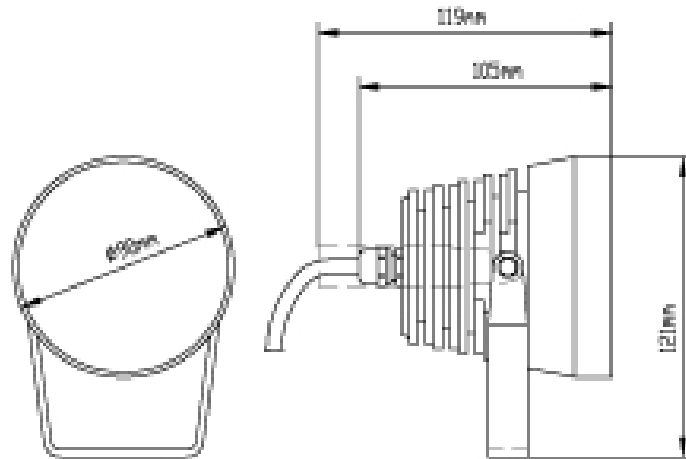
---

IR LED Illuminator

---

**DIMENSIONS**

---



---

**ACCESSORIES**

---

**ASTST1**  
IR LED Illuminator wall bracket**ASTST2**  
IR LED Illuminator wall bracket**ASTST3**  
IR LED Illuminator wall bracket